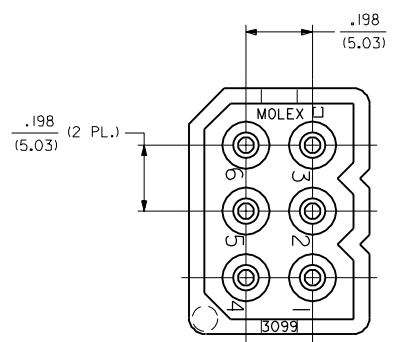
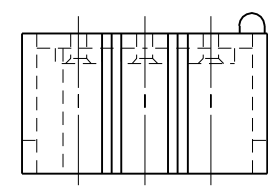
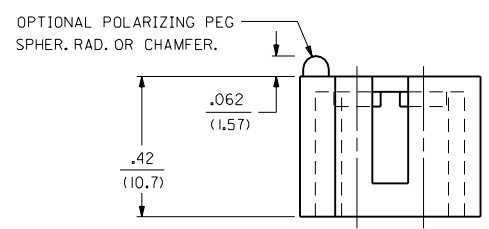
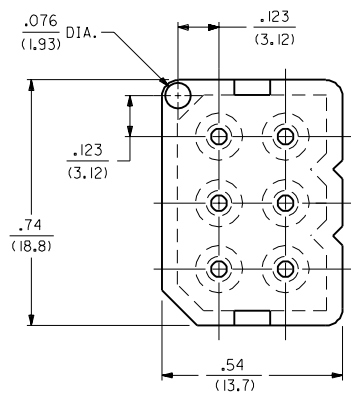
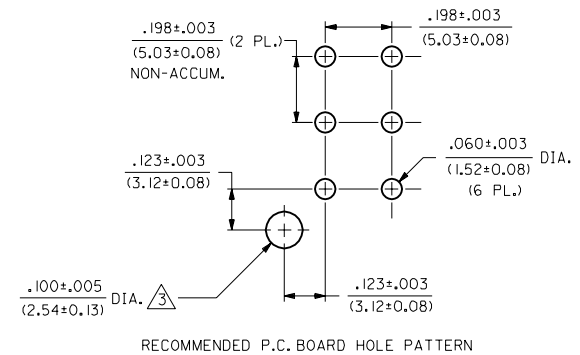


PART NO.	ENG. NO.	POLARIZING PEG OPTION
50-29-1061	3099-6A1	WITH
NOT TOOLED	3099-6B1	WITHOUT



NOTES:

- THIS HOUSING FOR USE WITH STANDARD .093/(2.36) SERIES RECEPTACLES.
- MATERIAL:
I- UNFILLED POLYESTER, 94V-0, COLOR-BLACK
- ONLY REQUIRED WHEN USING PARTS WITH OPTIONAL POLARIZING PEG.
- THIS HOUSING ACCEPTS 1840 SERIES PINS AND 43080 SERIES SOCKET P. C. TERMINALS.
- PARTS TO BE MOUNTED ON SUPPORTED EDGE OF P.C. BOARD.



REV.	DESCRIPTION
H	REVISED UCR 1998-0051 WANG 98-02-16
G	CHG. COLOR TO BLK ECR #14 0193 2-24-94 RW
F	MAT'L WAS GLASS FIL'D. ECR U3 1669 GC 11/10/93
E	DEL MAT'L OPT. 2 ECR U2-1469 AFG 32-10-09 RW
D	REVISE V-0 MAT'L. ECR U2 0079 GC 11/17/92 RW
C	REV PER DETAIL ECR # U90875 KBW 08-30-89 RW
B	REVISED PER ECR U90347 GEP 5-25-89 RW
A	REL. WITH EDP'S ECR U8 2300 GEP 1-25-89 RW

MFG. SH. REV. LTR. REVISIONS

DIMENSIONS SHOWN METRIC (INCH) UNLESS OTHERWISE SPECIFIED TOLERANCES: ANGULAR ± .04°

PLACE	INCH	METRIC
3 PLACE	± .010	---
2 PLACE	± .014	± 0.25
1 PLACE	---	± 0.35

DRAFT WHERE APPLICABLE MUST REMAIN WITHIN DIMENSIONS

TITLE: 6 CKT. HOUSING, ENCLOSED HEADER, .198/(5.03) CENTERS

MOLEX INCORPORATED SHEET NO. 1 OF 1 DATE 1/25/89

SEE CHART SD-3099-6

DRWG. NO. SD-3099-6

DRWG. BY: CEP DRWG. IN: RW

FILE NAME: S30996X1

APP'D: RAS SCALE: 4 : 1

THIS DRAWING CONTAINS INFORMATION THAT IS PROPRIETARY TO MOLEX INC. AND SHOULD NOT BE USED WITHOUT WRITTEN PERMISSION.

CP C