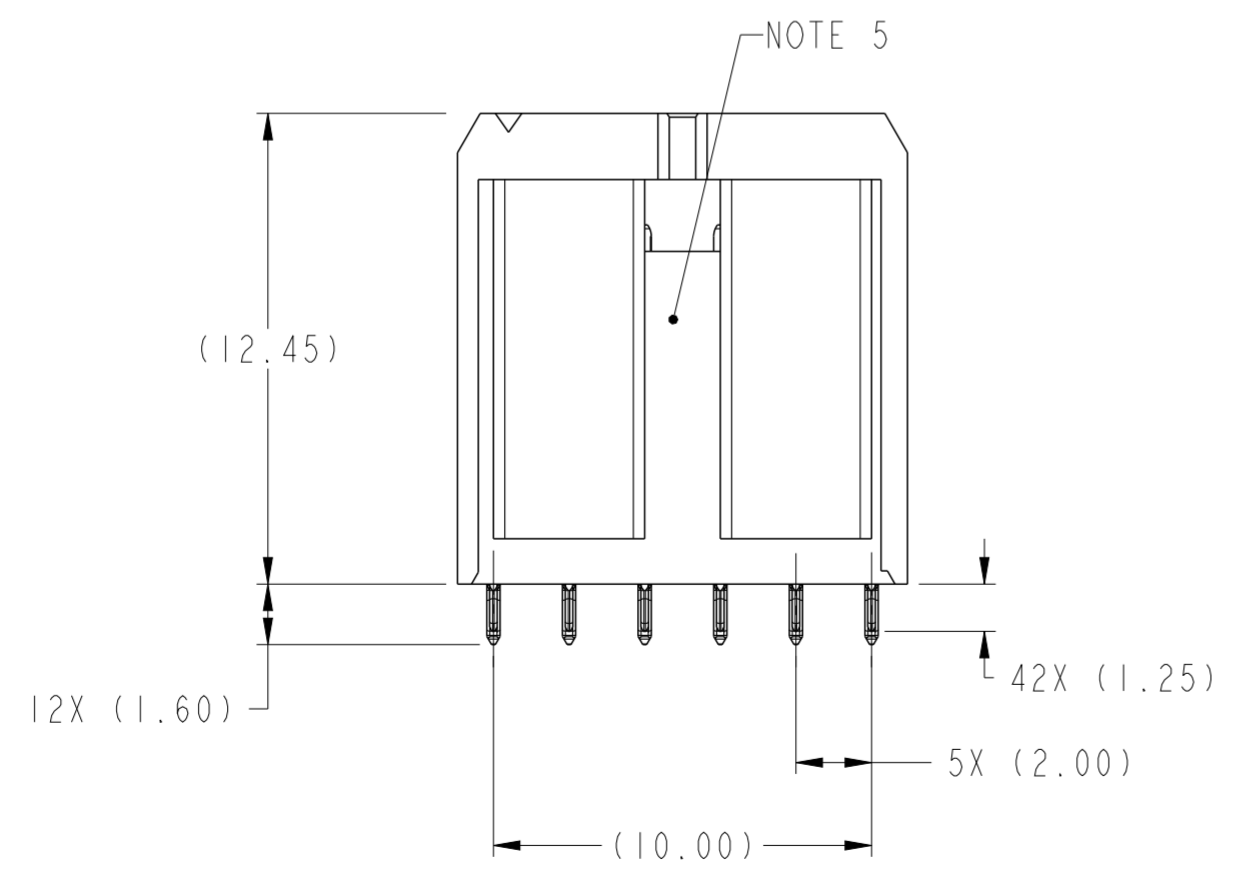
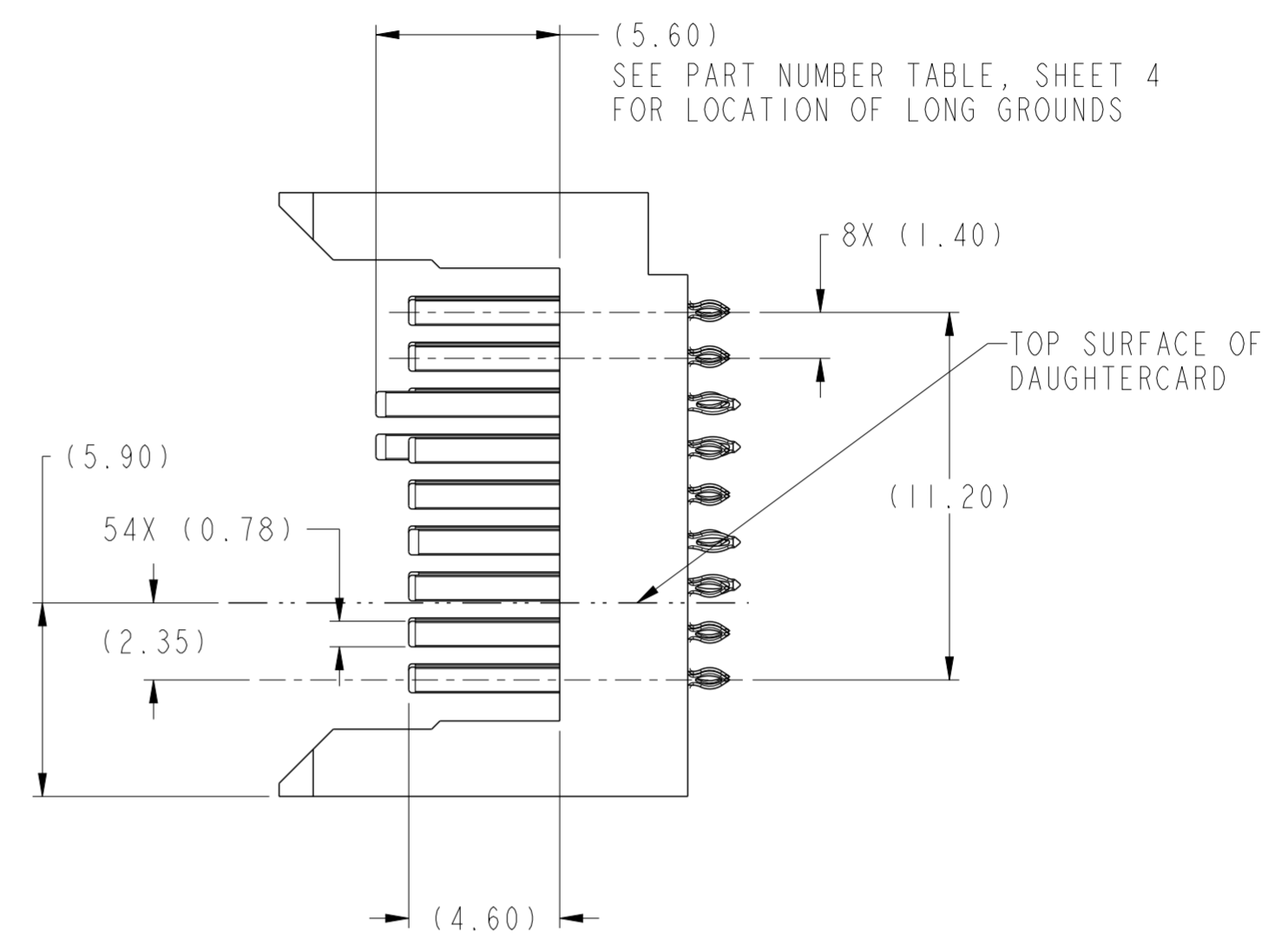
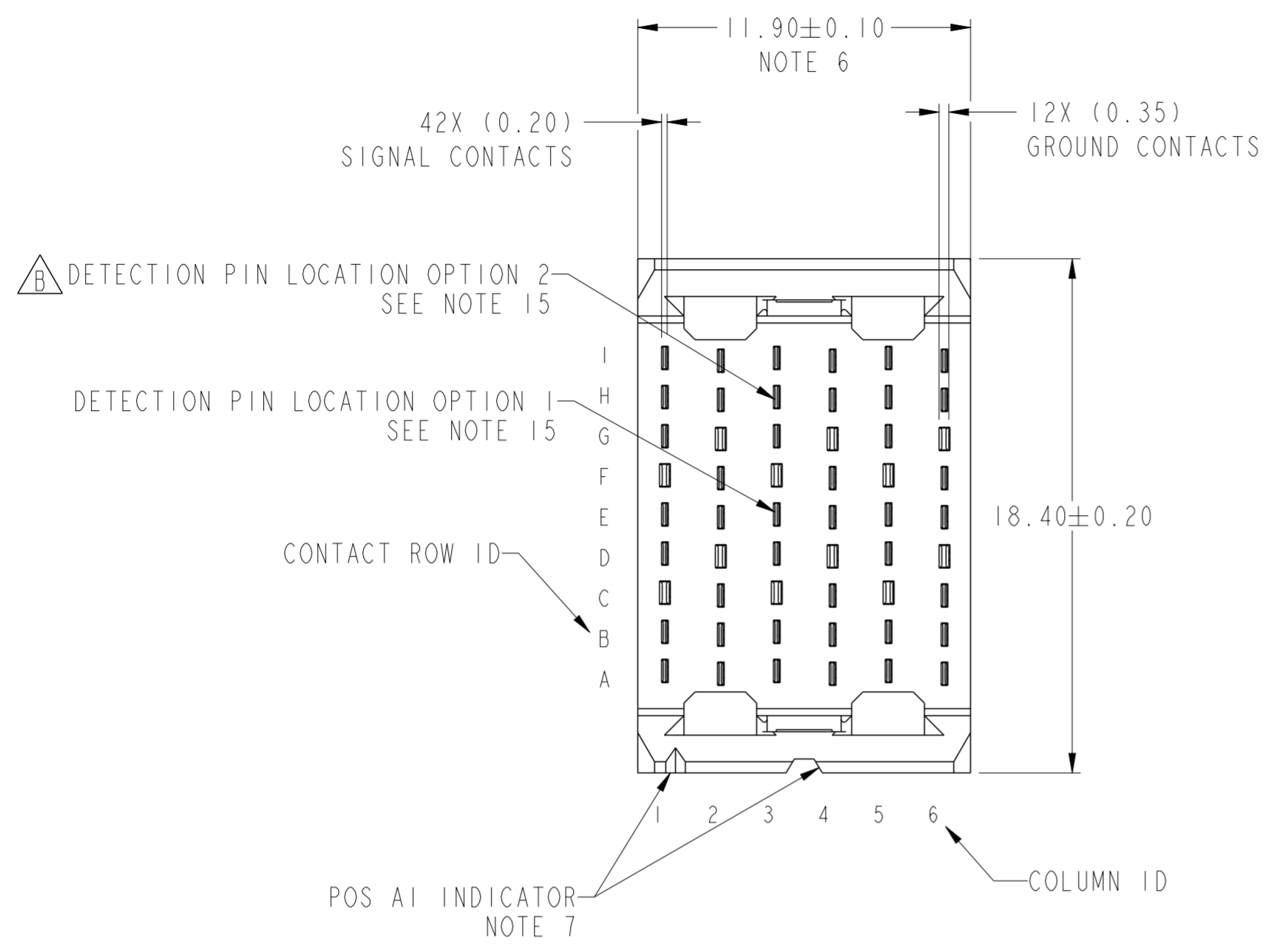
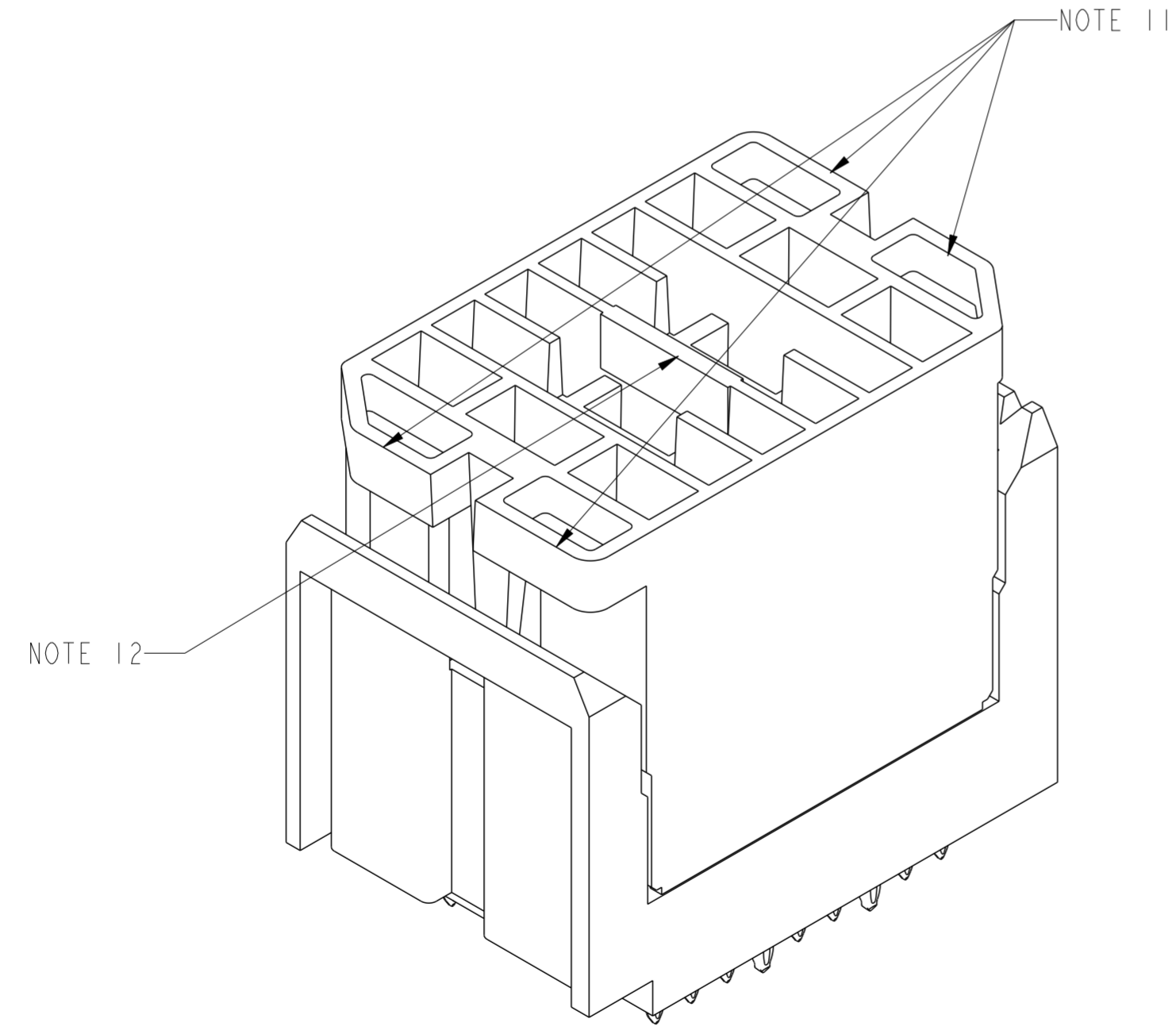
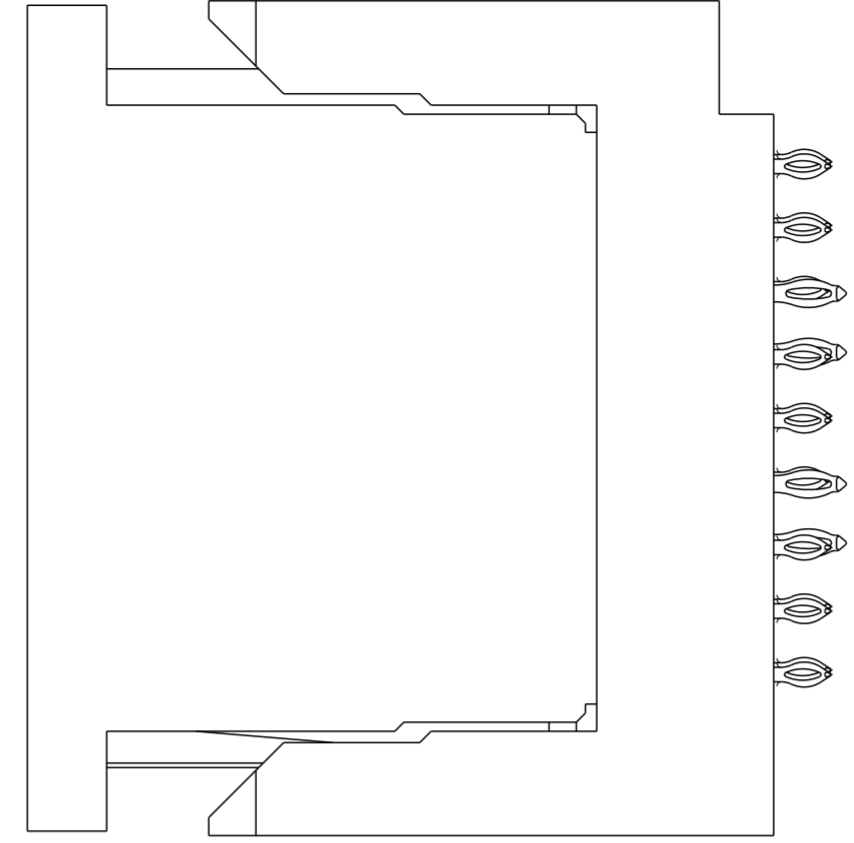
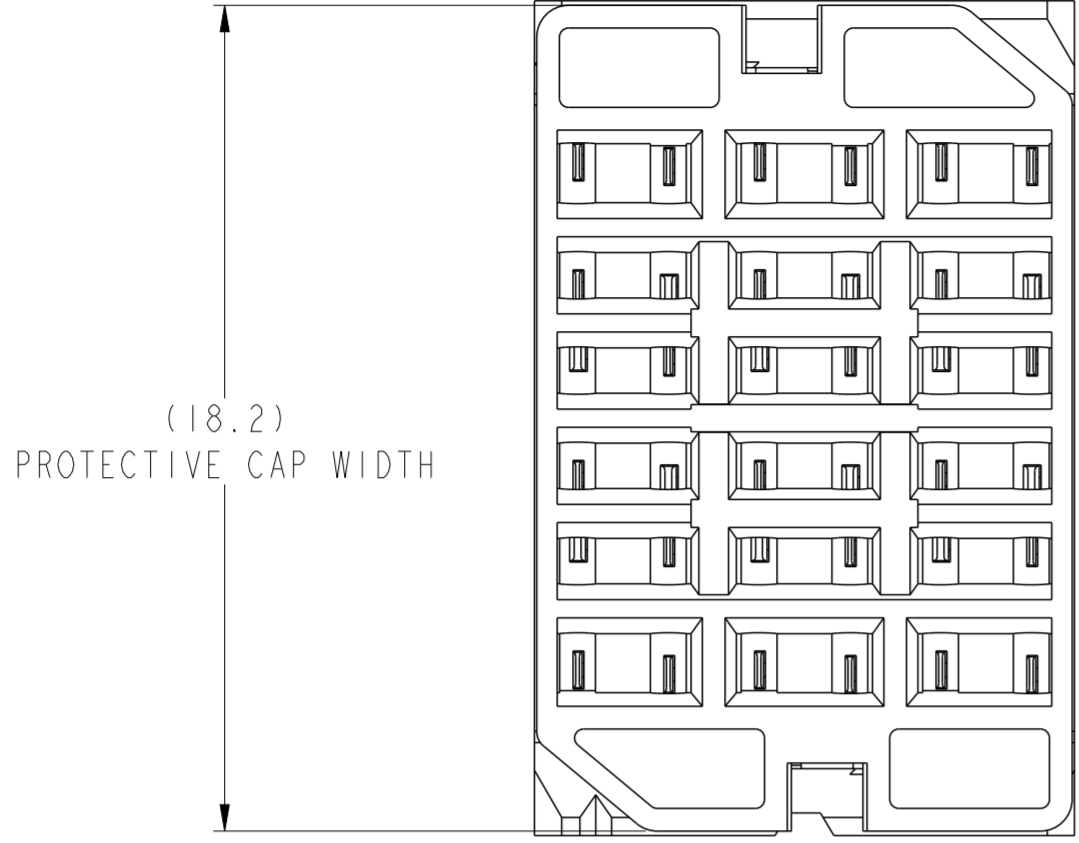


Product number
SEE TABLE, SHT 3



spec ref	-	dr	Sander Soe	2012/1/12	projection	MM	size	A2	scale	5:1
tolerance std	ASME Y14.5	eng	Tao Zhan	2014/10/23			ecn no	ELX-DG-18510-1		
TOLERANCES UNLESS OTHERWISE SPECIFIED		chr	-	rel level			Released			
surface	✓	appr	Collins Lu	2014/10/23			product family	AIRMAX VS	div no	10123358
ASME Y14.5	linear	0.X	±0.3	www.fci.com	cat. no.	-	Product - Customer Drw	sheet 1 of 4		
	angular	0°	±2°							

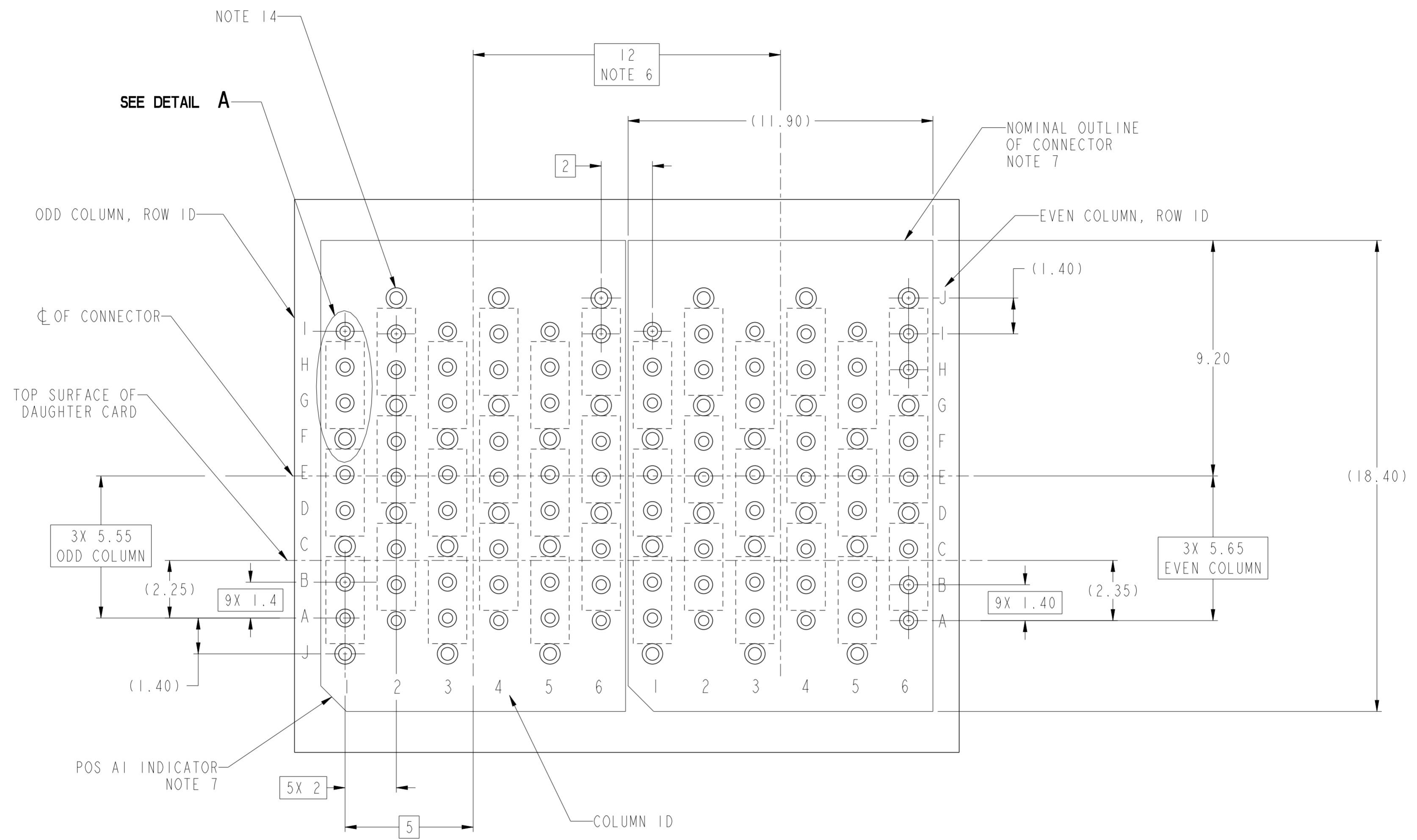
Copyright FCI. FCI



VIEWS SHOWN WITH
PROTECTIVE COVER INSTALLED
10123358-101LF & 111LF

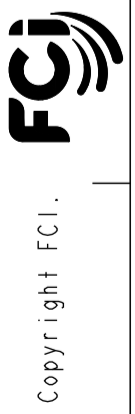
Copyright FCI.
FCI

spec ref -		dr Sander Soe	2012/1/12	projection	MM	size A2	scale 5:1
tolerance std ASME Y14.5		eng Tao Zhan	2014/10/23			ecn no ELX-DG-18510-1	
TOLERANCES UNLESS OTHERWISE SPECIFIED		chr -	2014/10/23			rel level Released	
ASME Y14.5		appr Collins Lu	2014/10/23	product family AIRMAX VS	divg no 10123358		
surface ✓	linear	0.X	±0.3		AIRMAX VSE VERTICAL HEADER 3 PAIR 54 POS 2MM 6 COL SMALL PRESS FIT	cat. no. - Product - Customer Drw	rev B
		0.XX	±0.10				sheet 2 of 4
		0.XXX	±0.050				
ASME Y14.5	angular	0°	±2°	www.fci.com	STATUS:Released		Printed: Oct 24, 2014



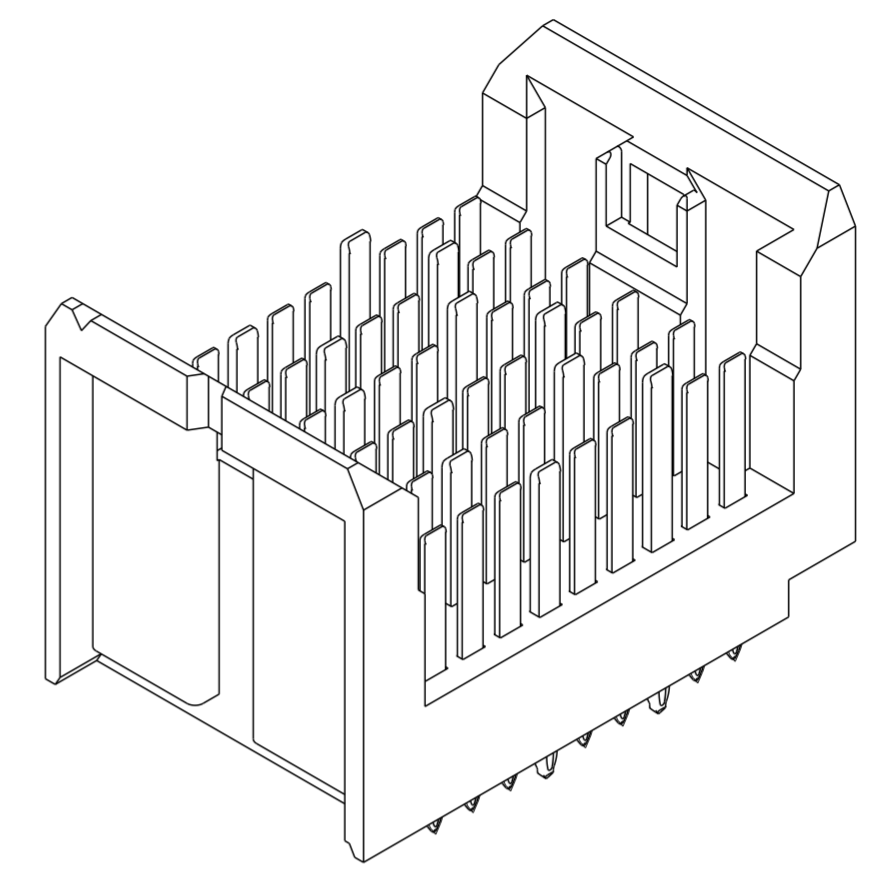
RECOMMENDED PCB LAYOUT
FOR DIFFERENTIAL APPLICATIONS,
COMPONENT SIDE
(TWO ADJACENT FOOTPRINTS SHOWN)
NOTES 6, AND 8

spec ref	-	dr	Sander Soe	2012/1/12	projection	MM	size	A2	scale	3:1		
tolerance std	ASME Y14.5	eng	Tao Zhan	2014/10/23			ecn no	ELX-DG-18510-1				
TOLERANCES UNLESS OTHERWISE SPECIFIED		chr	-	rel level			Released					
surface	✓	appr	Collins Lu	2014/10/23			product family	AIRMAX VS	title	AIRMAX VSE VERTICAL HEADER		
ASME Y14.5	linear	0.X	±0.3	0.XX	±0.10	0.XXX	±0.050	www.fci.com	cat. no.	-	Product - Customer Drw	sheet 3 of 4
	angular	0°	±2°	3 PAIR 54 POS 2MM 6 COL SMALL PRESS FIT		dwg no	10123358		rev	B		



Copyright FCI.

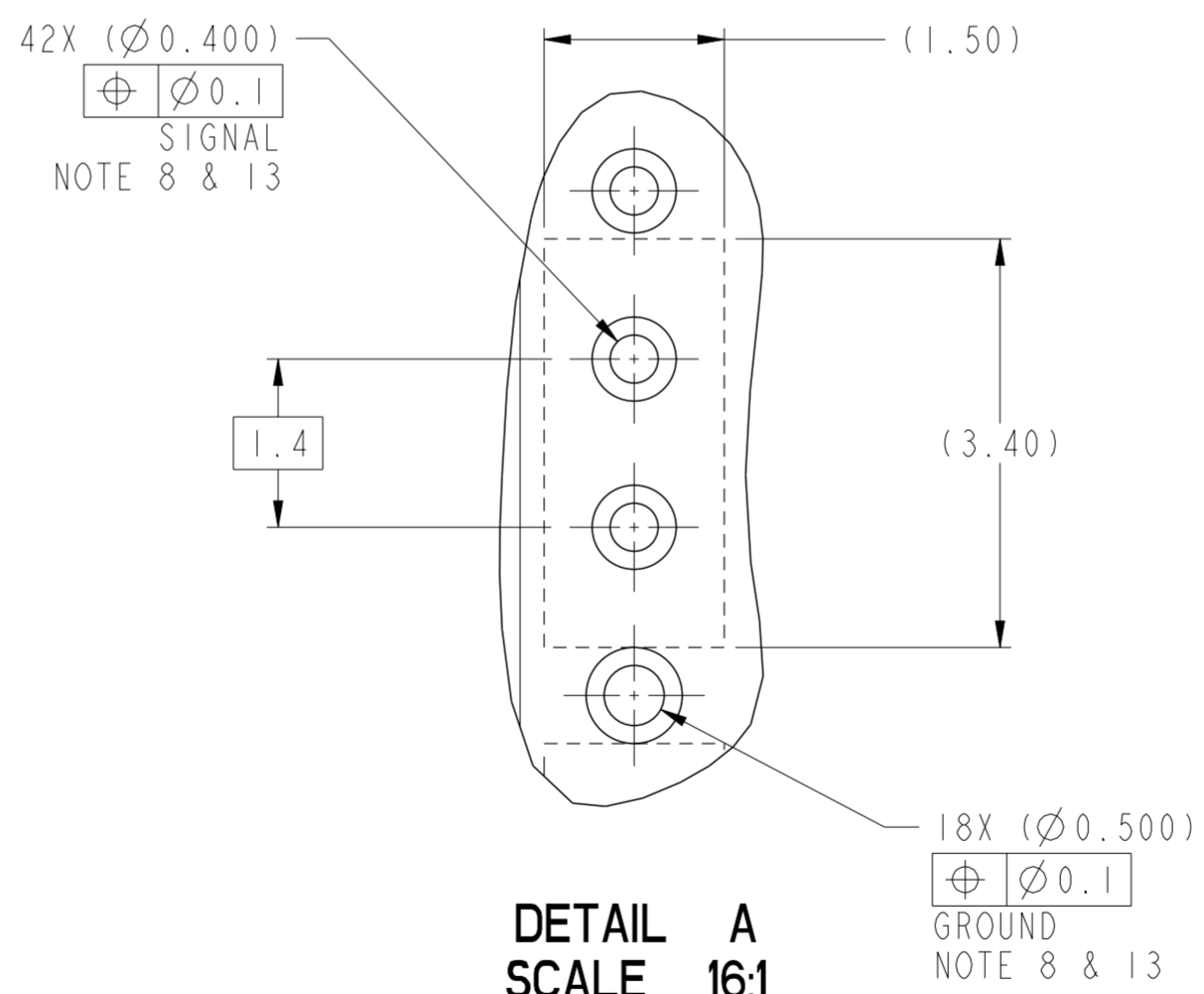
PART NUMBER	PRESS-FIT TAIL PLATING TYPE	PROTECTIVE COVER	DETECTION PIN LOCATION	LONG GROUND PIN LOCATIONS (5.6MM)	REMARKS
10123358-101LF	TIN OVER NICKEL (LEAD FREE)	YES	N/A	F1, F3, F5 G2, G4, G6	2-SIDED PLATING
10123358-111LF		YES	H3		
10123358-121LF		YES	E3		



10123358-101LF WITHOUT PROTECTIVE COVER

NOTES:

- CONNECTOR MATERIALS:
HOUSING: HIGH TEMP THERMOPLASTIC, BLACK, UL94V-0
CONTACT: COPPER ALLOY
- CONTACT PLATING:
SEPARABLE INTERFACE: PERFORMANCE-BASED PLATING, QUALIFIED TO MEET THE REQUIREMENTS OF FCI PRODUCT SPECIFICATION GS-12-239 INCLUDING TELCORDIA GR-1217-CORE (NOVEMBER 1995) CENTRAL OFFICE TEST SEQUENCE PRESS-FIT TAILS: SEE TABLE
- PRODUCT SPECIFICATION: GS-12-239.
- APPLICATION SPECIFICATION: GS-20-035.
- PRODUCT MARKING, (PROTOTYPE, PART NUMBER & LOT CODE), ON THIS SURFACE.
- THE MINIMUM CENTERLINE SPACING BETWEEN ADJACENT MODULES IS 12.0 mm.
- CONNECTOR OUTLINE WITH HOUSING POS AI INDICATOR MAY BE SCREEN PRINTED ONTO CUSTOMER PCB TO BE USED AS A GUIDE FOR MANUAL CONNECTOR PLACEMENT.
- REFER TO CUSTOMER DRAWING 10104444 FOR INFORMATION ON PCB HOLE DIAMETERS AND PLATING OPTIONS.
- LEAD FREE PRODUCT MEETS EUROPEAN UNION DIRECTIVES AND OTHER COUNTRY REGULATIONS AS DESCRIBED IN GS-22-008.
- PACKAGING MEETS GS-14-920 LEAD FREE LABELING SPECIFICATION.
- FOR REMOVAL OF THE PROTECTIVE CAP BY HAND, GRIP USING THESE SURFACES.
- FOR REMOVAL OF THE PROTECTIVE CAP WITH PLIERS, GRIP USING THIS FEATURE.
- GROUND VIAS IN POSITIONS C, F, & J FOR ODD COLUMNS AND POSITIONS D, G, & J FOR EVEN COLUMNS REQUIRE (Ø0.50) FINISHED HOLES. ALL OTHER VIAS REQUIRE (Ø0.40) FINISHED HOLES.
- THE OUTER VIAS IN COLUMN J ARE OPTIONAL. IF ADDED THESE HOLES PROVIDE GROUND SYMETRY THROUGH THE PCB. NO CONNECTOR EONS WILL BE PRESSED INTO THESE HOLES.
- MATING PIN E3 & H3 IS 0.5mm LESS WIPE NOMINAL THAN THE SHOREST PIN.
- A SYMBOL WILL BE NEXT TO ANY DIMENSION, VIEW, OR NOTE THAT HAS BEEN MODIFIED WITH THE CURRENT DRAWING REVISION.



DETAIL A
SCALE 16:1

spec ref	-	dr	Sander Soe	2012/1/12	projection	MM	size	A2	scale	5:1
tolerance std	ASME Y14.5	eng	Tao Zhan	2014/10/23			ecn no	ELX-DG-18510-1		
	TOLERANCES UNLESS OTHERWISE SPECIFIED	chr	-	rel level			Released			
surface	✓	appr	Collins Lu	2014/10/23	product family	AIRMAX VS	cat. no.	10123358	rev	B
ASME Y14.5	linear	0.X	±0.3	0.XX	±0.10	0.XXX	±0.050	Product - Customer Drw		
	angular	0°	±2°	www.fci.com			sheet 4 of 4			

PDS: Rev :B

STATUS:Released

Printed: Oct 24, 2014