

Directive 2002/95/EC
"RoHS"
Compliant

NOTES:

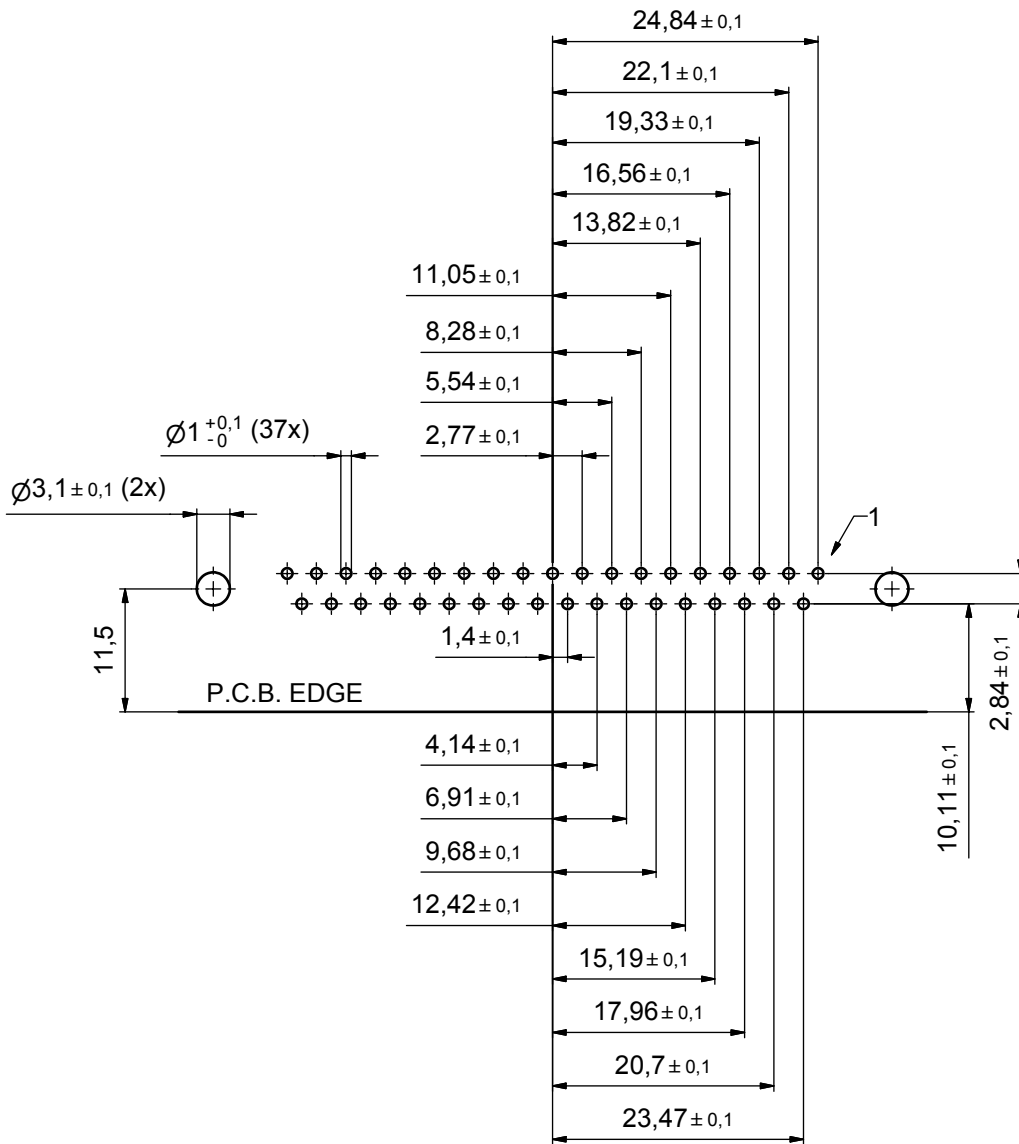
1. METALSHELLS: STEEL; min. 315µin TIN OVER 40-80µin NICKEL
2. INSULATORS: PBT GF UL 94 V-0, BLACK
3. CONTACTS: COPPER ALLOY
PLATING: 8µin HARD GOLD OVER min. 50µin NICKEL
4. MOUNTING BRACKET: PBT GF UL 94 V-0, BLACK
5. GROUNDING BRACKET: COPPER ALLOY
6. THREADED INSERT: COPPER ALLOY; min. 200µin TIN OVER 80µin NICKEL
7. MAXIMUM TORQUE VALUE FOR THREAD: 6 in.LB
8. CONNECTOR IS PART MARKED: 164A12359X CONEC ABC

APPROVAL # FREIGABE # DEBLOCAGE # AUTORIZACION # APPROVAL	
CUSTOMER APPROVAL DATE:	
NAME:	TITLE:
COMPANY NAME:	
APPROVAL # FREIGABE # DEBLOCAGE # AUTORIZACION # APPROVAL	

THIS DRAWING MAY NOT BE COPIED OR REPRODUCED IN ANY WAY, AND MAY NOT BE PASSED ON TO A THIRD PARTY WITHOUT WRITTEN PERMISSION. OWNERSHIP AND COPYRIGHT OF CONEC GmbH			
DO NOT ALTER CAD DRAWING BY HAND			
rev.	description	date	name

tolerance	dim. in mm
date	name
drawn 07.09.07 Schmidt	
appd. 07.09.07 Mickenbecker	
norm	
d-old	
CONEC ®	

scale: 2:1 (5:1)	
material: see notes	
title: D-SUB FEMALE 90° 37pos. SOLDER PIN ANGLED 0.370inch mounting-,grounding bracket, threaded insert	
dwg no: 16K1A2145	Inventor 10
16K1A2145	
part no: 164A12359X	DIN-A3 sh: 1



APPROVAL # FREIGABE # DEBLOCAGE # AUTORIZACION # APPROVAL	
CUSTOMER APPROVAL DATE:	
NAME:	TITLE:
COMPANY NAME:	
APPROVAL # FREIGABE # DEBLOCAGE # AUTORIZACION # APPROVAL	

THIS DRAWING MAY NOT BE COPIED OR REPRODUCED IN ANY WAY, AND MAY NOT BE PASSED ON TO A THIRD PARTY WITHOUT WRITTEN PERMISSION. OWNERSHIP AND COPYRIGHT OF CONEC GmbH				tolerance		 dim. in mm
DO NOT ALTER CAD DRAWING BY HAND				date	name	
a	Origin			drawn	07.09.07	Schmidt
rev.	description	date	name	appd.	07.09.07	Mickenbecker
				norm		
				d-old		
				CONEC [®]		

scale: 2:1	
material: see sheet 1	
title: P.C.B. HOLE DRILLINGS	
D-SUB FEMALE 37pos. SOLDER PIN ANGLED mounting-,grounding bracket, threaded insert	
dwg no:	Inventor 10
16K1A2145	
DIN-A3	sh: 2
part no: see sheet 1	