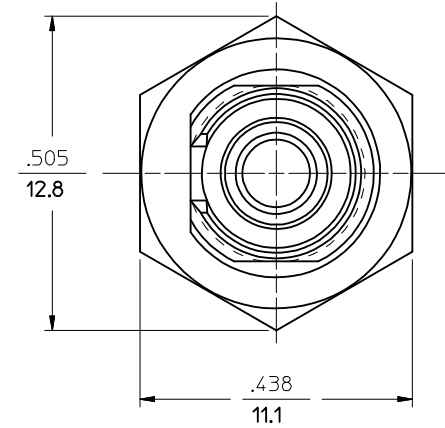
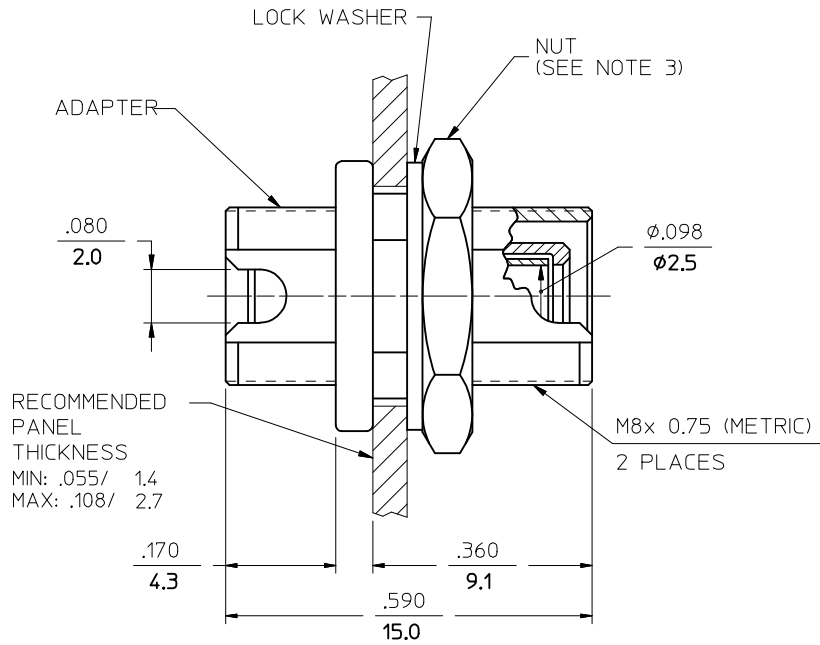
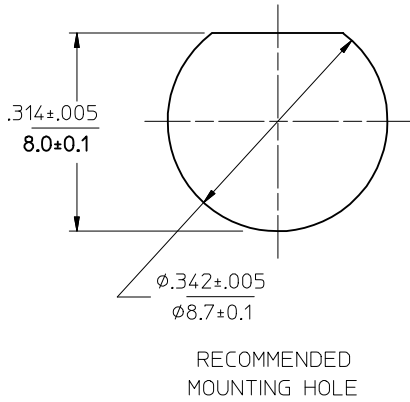


P/N OF ADAPTER	MATERIAL OF SLEEVE
106152-3000	CERAMIC
106156-3000	PHOSPHOR BRONZE



NOTES:

1. FOR PANEL THICKNESS .080 TO .108, ELIMINATE LOCK WASHER.
2. DUST CAPS ARE NOT SHOWN, BUT INCLUDED.
3. TIGHTEN THE NUT TO 23 N-cm (2 lb-in)

ENTER DESCRIPTION EC NO: MF2013-0054 DRW:MKPEVNER 2012/07/24 CHKD: APPR:WCHEN 2012/07/24 REV: A3	QUALITY SYMBOLS	GENERAL TOLERANCES (UNLESS SPECIFIED)	DIMENSION STYLE	SCALE	DESIGN UNITS	THIRD ANGLE PROJECTION
	▼=0 ∇=0	mm INCH 4 PLACES ± --- ± --- 3 PLACES ± --- ± --- 2 PLACES ± --- ± --- 1 PLACE ± --- ± --- 0 PLACE ± ±	IN/MM	5:1	INCH	
		ANGULAR ±1/2° DRAFT WHERE APPLICABLE MUST REMAIN WITHIN DIMENSIONS	DRAWN BY DATE PGIBL IN 2005/10/25	TITLE FC ADAPTER ("D" HOLE, TIGHT FIT KEY)		
			CHECKED BY DATE	APPROVED BY DATE		
			MATERIAL NO.	DOCUMENT NO.	SHEET NO.	
			SEE TABLE	SD-10615X-3000	1 OF 1	
THIS DRAWING CONTAINS INFORMATION THAT IS PROPRIETARY TO MOLEX INCORPORATED AND SHOULD NOT BE USED WITHOUT WRITTEN PERMISSION						