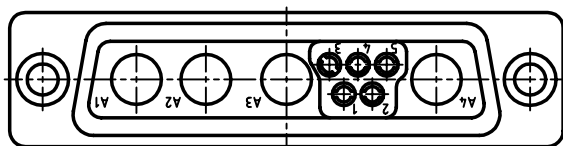
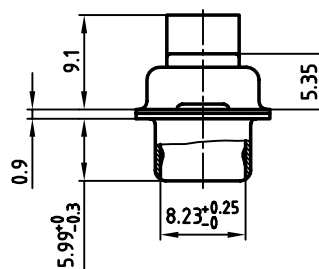
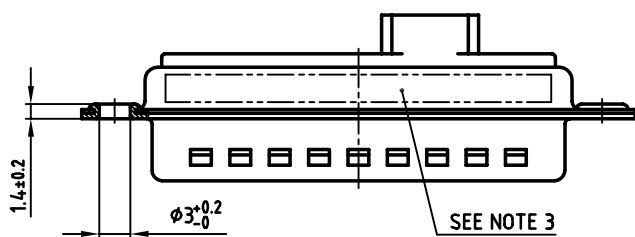
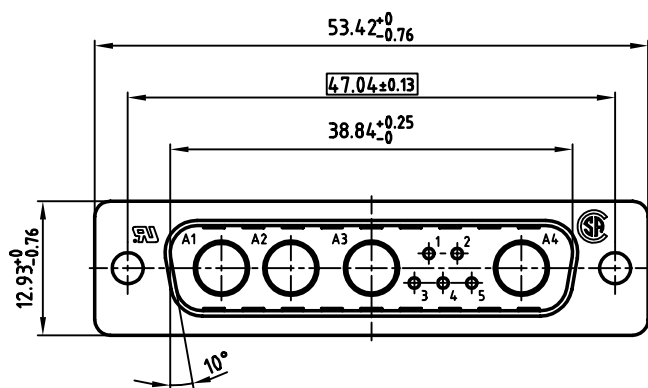


used for: D-SUB COMBINATION CRIMP



NOTES:

1. METALSHELLS: STEEL; TIN PLATED
2. INSULATORS: PBT GF UL 94 V-0; BLACK
3. CONNECTOR IS PART MARKED: PART NO.: CONEC Y/W/W
4. = CRITICAL DIMENSION: SPC

Directive 2002/95/EC
„RoHS“
Compliant

THIS DRAWING MAY NOT BE COPIED OR REPRODUCED IN ANY WAY, AND MAY NOT BE PASSED ON TO A THIRD PARTY, WITHOUT WRITTEN PERMISSION. OWNERSHIP AND COPYRIGHT OF CONEC GmbH DO NOT ALTER CAD DRAWING BY HAND

rev.	description	date	name

tolerance		
1998	date	
drawn	25.11	name
appd.	25.11.	Mickenbecker
norm		
d-old		
CONEC [®]		

scale:	2:1	
material:	SEE NOTES	
title:		
D-SUB COMBINATION MALE CRIMP STYLE 9W4P		
dwg no:	AutoCAD/REL.13	DIN-A
13K11L1A		3
part no: 3009W4P XK99A10X		sh: 1/1