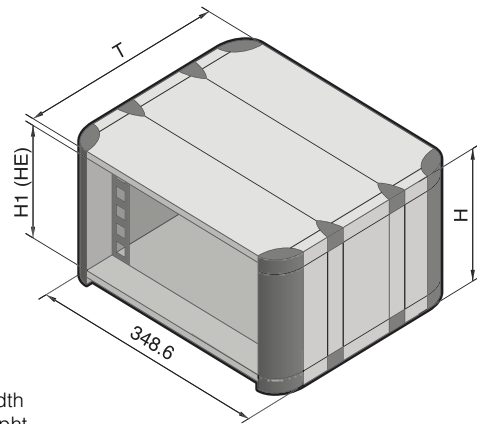


RiCase 269.2 mm (½ 19")



B = Width
T = Depth
HE = U

Technical specifications:

Depth:
300 mm, 420mm, 540 mm
Installation width:
269.2 mm (½ 19")
Installation options:
269.2 mm (½ 19")-slide-in
equipment to IEC 60 297-3

Material/surface finish:

Covers:
Extruded aluminum section/
die-cast, spray-finished
Side panels:
Extruded aluminum section,
spray-finished
Corner caps: Plastic
482.6 mm (19") mounting

bracket:
Extruded aluminum section,
clear-chromated

Color:
RAL 7035 (pale grey)

Decorative colors and corner caps:

RAL 5018 (turquoise)
RAL 5012 (pale blue)
RAL 7030 (stone grey)

Protection category:
IP 42 for unvented version.

Supply includes:

2 side panels,
2 covers,
8 corner caps,
8/12/16 cover caps
(300/420/540 mm depth),
4 482.6 mm (19") mounting
brackets,
4 threaded inserts,
2 plain inserts,
1 rear panel,
Cases are supplied pre-
assembled

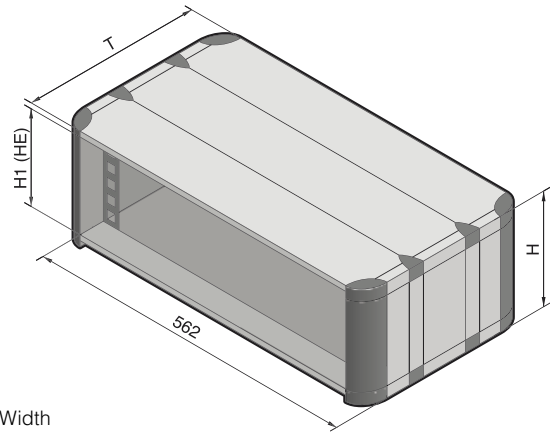
Special sizes and colors available on request.

Property rights:

German registered design
no. 96 09 457
UK reg. design no. 2064682
US design patents
Des. 402,640 and
Des. 423,464
Japan. reg. designs
no. 1045507 and 1045508

Enclosures for subrack width 269.2 mm (½ 19")	Packs of	1 U		2 U		3 U			4 U		Page
Height (H) mm		77.5	77.5	121.9	121.9	166.4	166.4	166.4	210.8	210.8	
Height H1 (U) mm		45.0	45.0	89.4	89.4	133.8	133.8	133.8	178.3	178.3	
Depth (T) mm		300.0	420.0	300.0	540.0	300.0	420.0	540.0	420.0	540.0	
Unvented											
Order No. RC, RAL 5018	1	3750.100	–	3750.200	–	3750.210	3750.300	–	3750.400	–	
Order No. RC, RAL 5012	1	3750.102	–	3750.202	–	3750.212	3750.302	–	3750.402	–	
Order No. RC, RAL 7030	1	3750.104	–	3750.204	–	3750.214	3750.304	–	3750.404	–	
Vented											
Order No. RC, RAL 5018	1	–	3750.110	–	3750.220	–	3750.350	3750.360	–	3750.450	
Order No. RC, RAL 5012	1	–	3750.112	–	3750.222	–	3750.352	3750.362	–	3750.452	
Order No. RC, RAL 7030	1	–	3750.114	–	3750.224	–	3750.354	3750.364	–	3750.454	
Weight (kg)	Vented/ unvented	3.3 3.4	4.2 4.4	3.7 3.8	5.4 6.1	4.1 4.2	5.2 5.4	6.1 6.8	5.8 6.0	6.8 7.5	
Accessories											
Carrying handles, horizontal	2	3751.250	3751.260	3751.250	3751.270	3751.250	3751.260	3751.270	3751.260	3751.270	83
Front door, vertically hinged	1	–	–	–	–	3751.300	3751.300	3751.300	3751.310	3751.310	84
Slide rails	2	3751.500	3751.510	3751.500	3751.520	3751.500	3751.510	3751.520	3751.510	3751.520	83
Mounting angles 482.6 mm (19")	2	3751.650	3751.650	3751.660	3751.660	3751.670	3751.670	3751.670	3751.680	3751.680	82
Threaded inserts with M4 thread	8	3751.700	3751.700	3751.710	3751.710	3751.720	3751.720	3751.720	3751.730	3751.730	82
End section	2	–	–	–	–	3751.900	3751.900	3751.900	3751.910	3751.910	83

RiCase 482.6 mm (19")



B = Width
T = Depth
HE = U

Technical specifications:

Depth:
300 mm, 420 mm, 540 mm
Installation width:
482.6 mm (19")
Installation options:
482.6 mm (19") slide-in
equipment to IEC 60 297-3

Material/surface finish:

Covers:
Extruded aluminum section/
die-cast, spray-finished
Side panels:
Extruded aluminum section,

spray-finished
Corner caps: Plastic
482.6 mm (19") mounting
bracket: extruded aluminium
section, clear-chromated

Color:
RAL 7035 (pale grey)

**Decorative colors and
corner caps:**
RAL 5018 (turquoise)
RAL 5012 (pale blue)
RAL 7030 (stone grey)

Protection category:
IP 42 for unvented version.

Supply includes:
2 side panels,
2 covers,
8 corner caps,
8/12/16 cover caps
(300/420/540 mm depth),
4 482.6 mm (19") mounting
brackets,
4 threaded inserts,
2 plain inserts
Cases are supplied pre-
assembled

**Special sizes and colors
available on request.**

Note:
For rear installation, order back
panel/door separately.

Enclosure for subrack width 482.6 mm (19")	Packs of	3 U		4 U		6 U		7 U		9 U		12 U	Page	
Height (H) mm		166.4	166.4	210.8	210.8	299.7	299.7	299.7	344.2	344.2	433.1	433.1	566.5	
Height H1 (U) mm		133.8	133.8	178.3	178.3	267.2	267.2	267.2	311.7	311.7	400.6	400.6	534.0	
Depth (T) mm		300.0	420.0	300.0	420.0	300.0	420.0	540.0	420.0	540.0	420.0	540.0	540.0	
Not vented														
Order No. RC, RAL 5018	1	3750.310	3750.320	3750.410	3750.420	3750.600	3750.610	3750.620	3750.700	3750.710	3750.900	3750.910	3750.000	
Order No. RC, RAL 5012	1	3750.312	3750.322	3750.412	3750.422	3750.602	3750.612	3750.622	3750.702	3750.712	3750.902	3750.912	3750.002	
Order No. RC, RAL 7030	1	3750.314	3750.324	3750.414	3750.424	3750.604	3750.614	3750.624	3750.704	3750.714	3750.904	3750.914	3750.004	
Vented														
Order No. RC, RAL 5018	1	3750.330	3750.340	3750.430	3750.440	3750.630	3750.640	3750.650	3750.720	3750.730	3750.920	3750.930	3750.030	
Order No. RC, RAL 5012	1	3750.332	3750.342	3750.432	3750.442	3750.632	3750.642	3750.652	3750.722	3750.732	3750.922	3750.932	3750.032	
Order No. RC, RAL 7030	1	3750.334	3750.344	3750.434	3750.444	3750.634	3750.644	3750.654	3750.724	3750.734	3750.924	3750.934	3750.034	
Weight (kg)	Vented/ unvented	5.3 5.4	6.9 7.1	5.7 7.2	7.5 7.7	6.5 6.6	8.5 8.7	10.8 12.2	9.1 9.3	11.5 12.9	10.1 10.3	12.9 14.3	15.0 16.4	
Accessories														
Carrying handles, horizontal	2	3751.250	3751.260	3751.250	3751.260	3751.250	3751.260	3751.270	3751.260	3751.270	3751.260	3751.270	3751.270	83
Back panel, screw-fastened	1	3751.600	3751.600	3751.610	3751.610	3751.620	3751.620	3751.620	3751.630	3751.630	3751.530	3751.530	3751.540	85
Rear door, vertically hinged	1	3751.100	3751.100	3751.110	3751.110	3751.120	3751.120	3751.120	3751.130	3751.130	-	-	-	85
Rear door for fan installation	1	3751.150	3751.150	3751.160	3751.160	3751.170	3751.170	3751.170	3751.180	3751.180	-	-	-	85
Front door, vertically hinged	1	3751.320	3751.320	3751.330	3751.330	3751.340	3751.340	3751.340	3751.350	3751.350	-	-	-	84
Slide rails	2	3751.500	3751.510	3751.500	3751.510	3751.500	3751.510	3751.520	3751.510	3751.520	3751.510	3751.510	3751.520	83
Mounting angles 482.6 mm (19")	2	3751.670	3751.670	3751.680	3751.680	3751.690	3751.690	3751.690	3751.640	3751.640	3751.780	3751.780	3751.790	82
Threaded inserts with M4 thread	8	3751.720	3751.720	3751.730	3751.730	3751.740	3751.740	3751.740	3751.750	3751.750	3751.760	3751.760	3751.770	82
End section	2	3751.900	3751.900	3751.910	3751.910	3751.920	3751.920	3751.920	3751.930	3751.930	3751.820	3751.820	3751.830	83