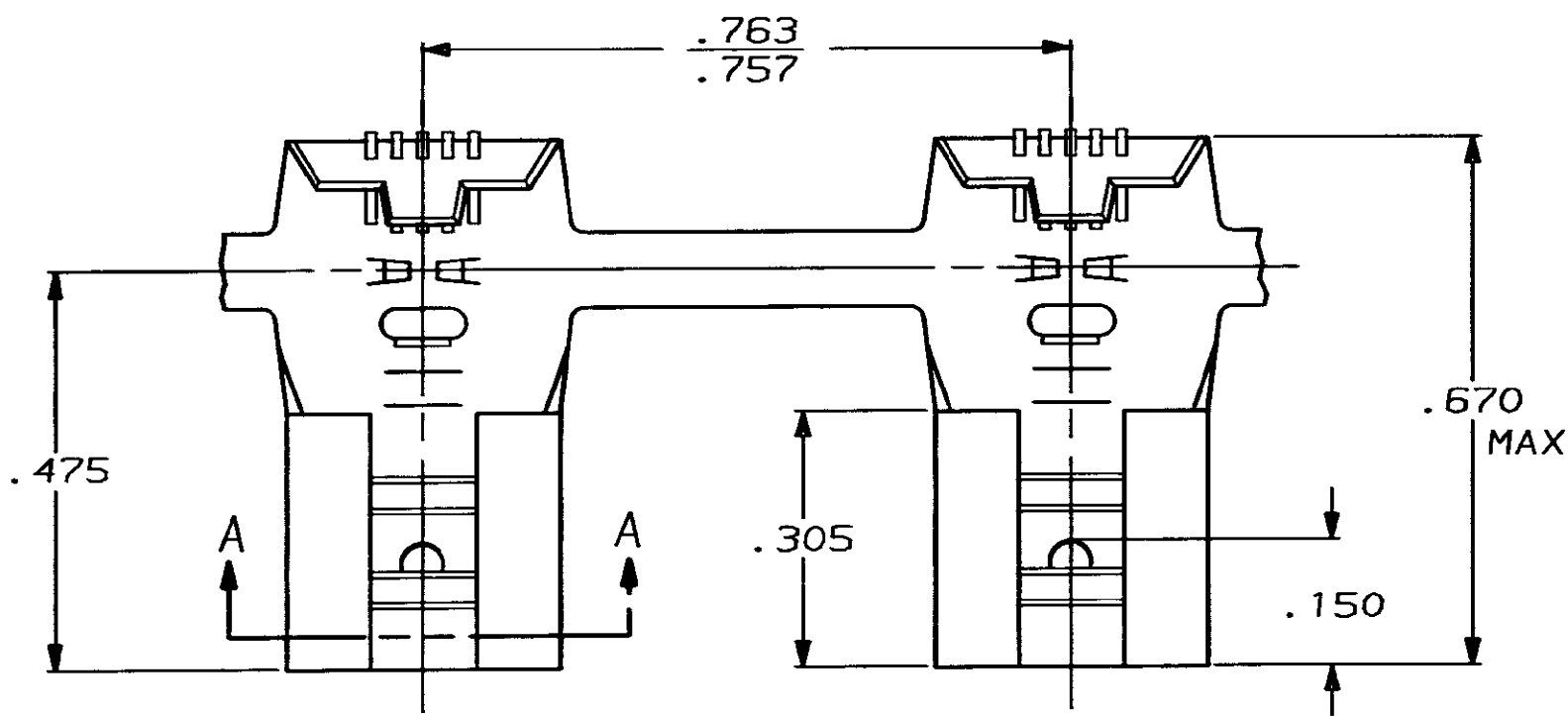
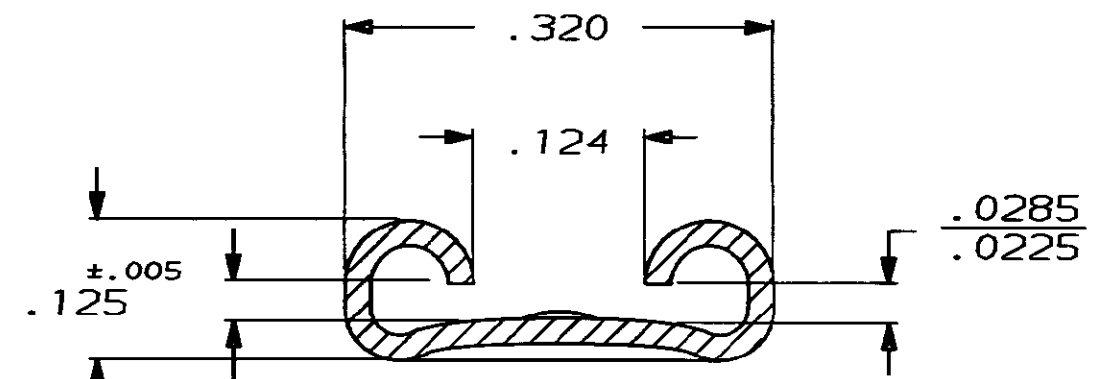


THIS DRAWING IS UNPUBLISHED. RELEASED FOR PUBLICATION, 19  
 © COPYRIGHT 1972 BY AMP INCORPORATED, HARRISBURG, PA. ALL INTERNATIONAL RIGHTS RESERVED. AMP PRODUCTS MAY BE COVERED BY U.S. AND FOREIGN PATENTS AND/OR PATENTS PENDING.

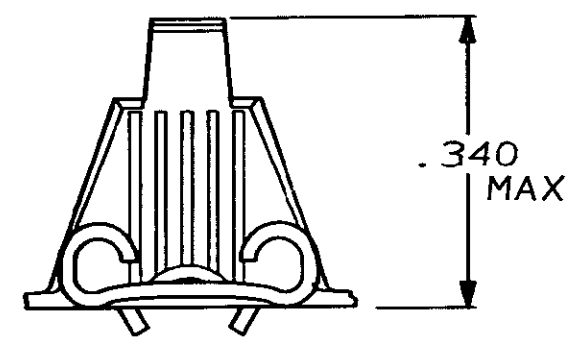
LOC	DIST	P	F	REVISIONS		DATE	APPROVED
AF	50			ZONE	LTR	DESCRIPTION	
					R	REVISED AF-6298	JR/CM



1- CONTINUOUS STRIP ON REELS.



FITS .250 SERIES FASTON TAB  
SECTION A-A



LEFT HAND	18-12	.032 ±.001	TIN	.018 PHOS. BRONZE	62056-7
RIGHT HAND	18-12	.032 ±.001	TIN	.018 PHOS. BRONZE	62056-6
LEFT HAND	18-12	.032 ±.001	---	.018 BRASS	62056-5
LEFT HAND	18-12	.032 ±.001	TIN	.018 4M BRASS	62056-4
RIGHT HAND	18-12	.032 ±.001	TIN	.018 4M BRASS	62056-3
LEFT HAND	18-12	.032 ±.001	SILVER	.018 PHOS. BRONZE	62056-2
RIGHT HAND	18-12	.032 ±.001	SILVER	.018 PHOS. BRONZE	62056-1
REELING	WIRE SIZE	TAB THK	FINISH	MATERIAL	PART NO

UNLESS OTHERWISE SPECIFIED DIMENSIONS ARE IN INCHES TOLERANCES ON:	DR	JR RUTH	2/3/86
	CHK	M FEHER	2/6/86
2 PL DEC ±	APPD	C MEYERS	2/7/86
3 PL DEC ± .015	APPD	R KUZO	2/7/86
ANGLES ±	PRODUCT SPEC		
MATERIAL	APPLICATION SPEC		
SEE TABLE	WEIGHT		
FINISH			
SEE TABLE			

<b>AMP</b>		AMP INCORPORATED Harrisburg, Pa. 17105	
NAME .250 SERIES FLAG FASTON RECEPTACLE			
SIZE	FSCM NO	DRAWING NO	
<b>B</b>	00779	62056	
SCALE	NTS	SHEET 1 OF 1	