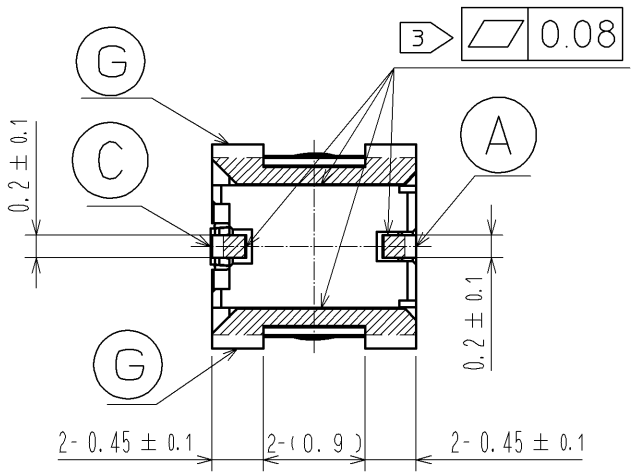
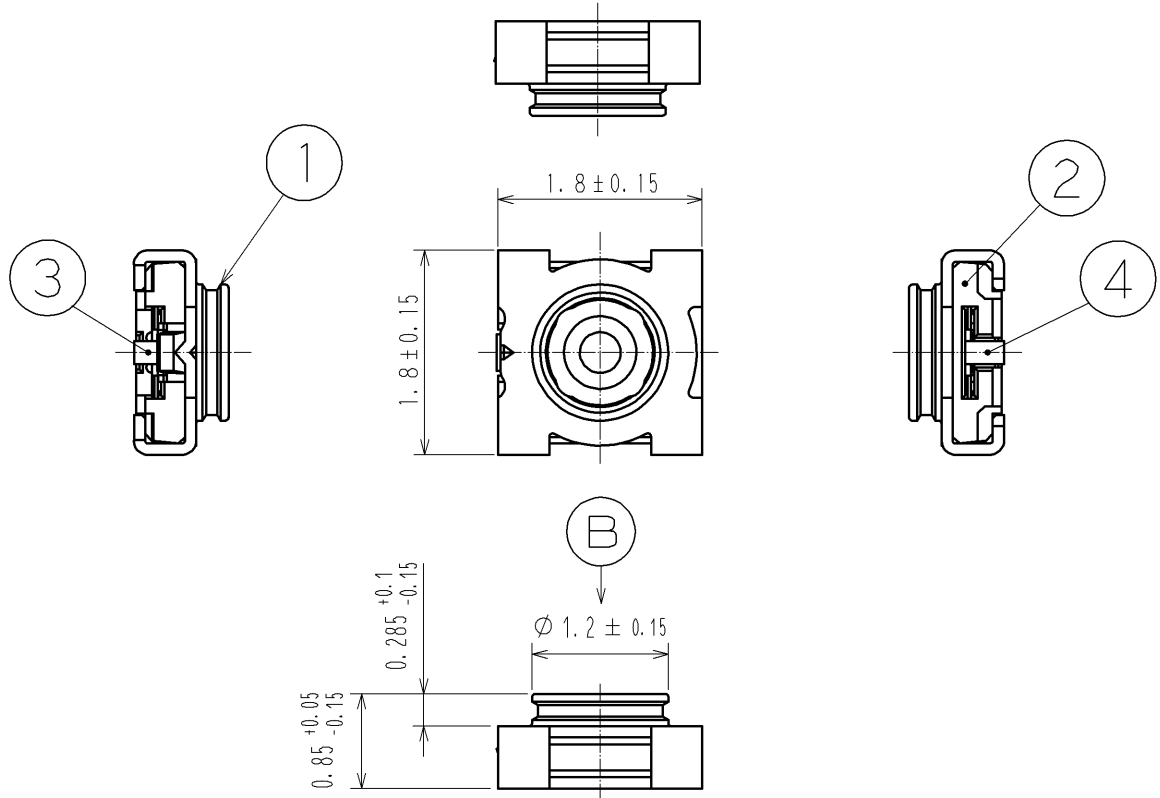


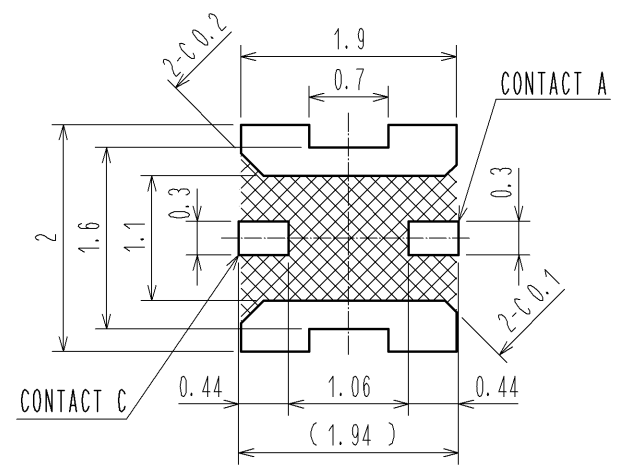
APPLICABLE STANDARD								
RATING	OPERATING TEMPERATURE RANGE	-40°C TO +85°C		STORAGE TEMPERATURE RANGE	-30°C TO +70°C			
	POWER	2 W		CHARACTERISTIC IMPEDANCE	50 Ω			
	FREQUENCY RANGE	DC TO 11000 MHz		OPERATING HUMIDITY RANGE	TO 90% (NO CONDENSATION)			
	PECULIARITY	—		APPLICABLE CABLE	—			
SPECIFICATIONS								
ITEM	TEST METHOD			REQUIREMENTS			QT	AT
CONSTRUCTION								
GENERAL EXAMINATION	VISUALLY AND BY MEASURING INSTRUMENT.			ACCORDING TO DRAWING.			×	×
MARKING	CONFIRMED VISUALLY.						×	×
ELECTRIC CHARACTERISTICS								
CONTACT RESISTANCE	100 mA MAX (DC OR 1000 Hz).			CENTER CONTACT	100 mΩ MAX.		×	×
				OUTER CONTACT	100 mΩ MAX.			
INSULATION RESISTANCE	100 V DC.			1000 MΩ MIN.			×	—
VOLTAGE PROOF	100 V AC FOR 1 min.			NO FLASHOVER OR BREAKDOWN.			×	×
V.S.W.R.	※1	FREQUENCY	DC TO 3.0 GHz	△	1.2 MAX		×	—
		FREQUENCY	3.0 TO 6.0 GHz	△	1.3 MAX			
		FREQUENCY	6.0 TO 11.0 GHz		1.4 MAX			
INSERTION LOSS	※1	FREQUENCY	DC TO 3.0 GHz	△	0.10dB MAX.		×	—
		FREQUENCY	3.0 TO 6.0 GHz	△	0.20dB MAX.			
		FREQUENCY	6.0 TO 11.0 GHz		0.30dB MAX.			
ISOLATION	※2	FREQUENCY	DC TO 3.0 GHz		25 dB MIN.		×	—
		FREQUENCY	3.0 TO 6.0 GHz		20 dB MIN.			
		FREQUENCY	6.0 TO 11.0 GHz		12 dB MIN.			
MECHANICAL CHARACTERISTICS								
MECHANICAL OPERATION	100 TIMES INSERTIONS AND EXTRACTIONS.			1) CONTACT RESISTANCE CENTER CONTACT: 100mΩMAX. OUTER CONTACT: 100mΩMAX.			×	—
VIBRATION	FREQUENCY 10 TO 55 Hz SINGLE AMPLITUDE 0.75 mm OR 98 m/s <sup>2</sup> 1 octave/min , 10 CYCLES FOR EACH 3 DIRECTIONS.			1) NO ELECTRICAL DISCONTINUITY OF 1μs.			×	—
				2) CONTACT RESISTANCE CENTER CONTACT: 100mΩMAX. OUTER CONTACT: 100mΩMAX.				
SHOCK	ACCELERATION : 490 m/s <sup>2</sup> DURATION : 11 ms , HALF SINE WAVE 3 BOTH AXIAL DIRECTIONS, 3 TIMES EACH			3) NO DAMAGE, CRACK AND LOOSENESS OF PARTS.			×	—
	COUNT	DESCRIPTION OF REVISIONS		DESIGNED	CHECKED		DATE	
	2	9 DIS-J-000972		TS. NAKAGAWA	TY. OZAKI		09.05.09	
REMARK				APPROVED	KJ. KAWAMURA		08.11.08	
※1. This spec is only for receptacle . Refer to the spec sheet of each plug regarding the mated condition.				CHECKED	TY. OZAKI		08.11.07	
2. This spec is adapted for any plug. Unless otherwise specified, refer to IEC-60512.				DESIGNED	TS. NAKAGAWA		08.11.07	
				DRAWN	TS. NAKAGAWA		08.11.07	
Note QT:Qualification Test AT:Assurance Test ×:Applicable Test				DRAWING NO.		ELC4-180771-00		
SPECIFICATION SHEET				PART NO.	MS-180			
HIROSE ELECTRIC CO., LTD.				CODE NO.	CL358-0265-7-00		△	1/2

参考図：ご確認用。正式には別途納入仕様書をご請求願います。

SPECIFICATIONS					
ITEM	TEST METHOD	REQUIREMENTS	QT	AT	
<b>ENVIRONMENTAL CHARACTERISTICS</b>					
RAPID CHANGE OF TEMPERATURE	TEMPERATURE -55 → 5-35 → +85 → 5-35 °C TIME 30 → 2-3 → 30 → 2-3 min. UNDER 100 CYCLES AND LEAVE IT FOR ONE HOUR OR TWO.	1) CONTACT RESISTANCE CENTER CONTACT: 100mΩMAX. OUTER CONTACT: 100mΩMAX. 2) INSULATION RESISTANCE: 10 MΩ MIN. 3) NO DAMAGE, CRACK AND LOOSENESS OF PARTS.	×	—	
DRY HEAT	EXPOSED AT +85°C, 96h.	1) CONTACT RESISTANCE CENTER CONTACT: 100mΩMAX. OUTER CONTACT: 100mΩMAX. 2) INSULATION RESISTANCE: 10 MΩ MIN. 3) NO DAMAGE, CRACK AND LOOSENESS OF PARTS.	×	—	
COLD	EXPOSED AT -55°C, 96h.	1) CONTACT RESISTANCE CENTER CONTACT: 100mΩMAX. OUTER CONTACT: 100mΩMAX. 2) INSULATION RESISTANCE: 10 MΩ MIN. 3) NO DAMAGE, CRACK AND LOOSENESS OF PARTS.	×	—	
DAMP HEAT (STEADY STATE)	EXPOSED AT +40°C, 90~95%, 96h. THEN LEAVE IT FOR ONE HOUR OR TWO IN THE AMBIENT TEMPERATURE AND HUMIDITY.	1) CONTACT RESISTANCE CENTER CONTACT: 100mΩMAX. OUTER CONTACT: 100mΩMAX. 2) INSULATION RESISTANCE: 10 MΩ MIN. 3) NO DAMAGE, CRACK AND LOOSENESS OF PARTS.	×	—	
RESISTANCE TO SOLDER HEAT	SOLDER TEMPERATURE 260°C FOR IMMERSION DURATION 10 sec .	1) NO DAMAGE, CRACK AND LOOSENESS OF PARTS.	×	—	
Note QT:Qualification Test AT:Assurance Test ×:Applicable Test		DRAWING NO.	ELC4-180771-00		
<b>HRS</b>	SPECIFICATION SHEET	PART NO.	MS-180		
	HIROSE ELECTRIC CO., LTD.	CODE NO	CL358-0265-7-00		2/2

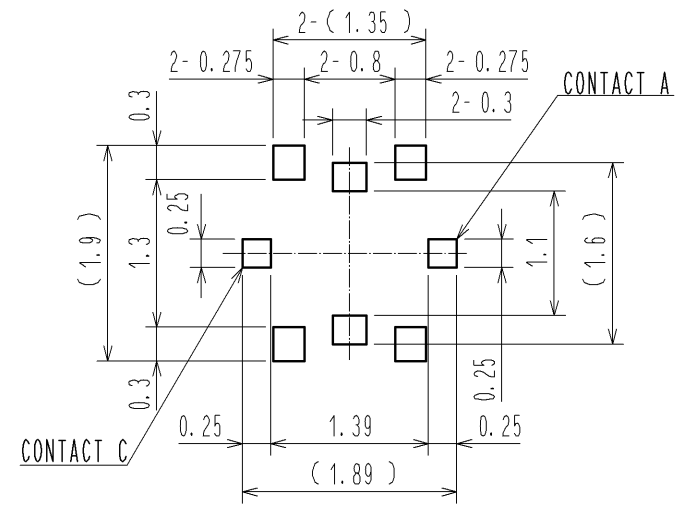


5 SPECIFIED PCB LAYOUT  
The dimensional tolerance to be ± 0.05.

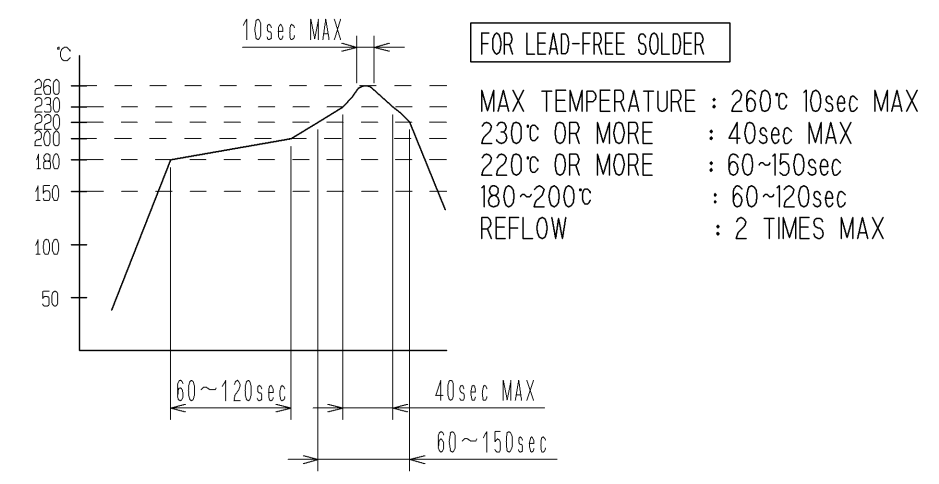


: This area must be free of conductive traces and resist field.

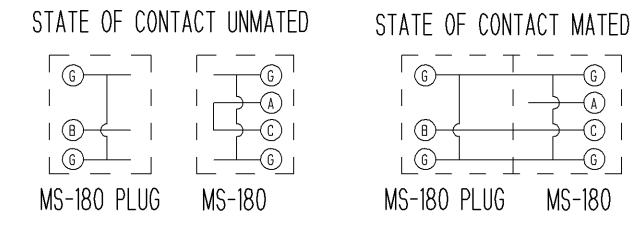
5 SPECIFIED STENCIL PLATE  
THICKNESS: 0.1mm  
The dimensional tolerance to be ± 0.05.



RECOMMENDED REFLOW TEMPERATURE PROFILE



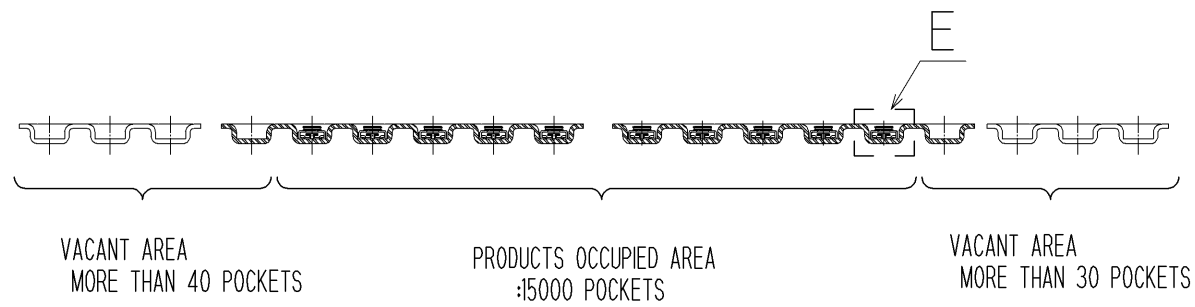
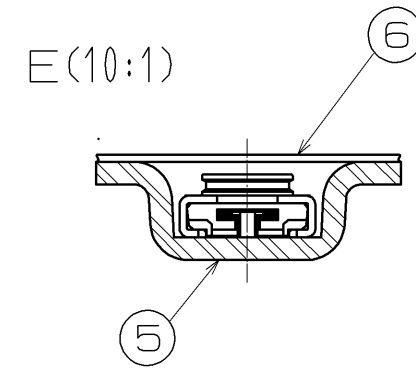
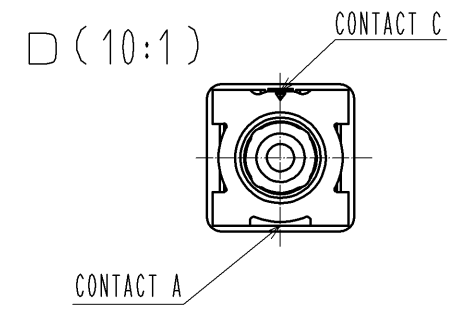
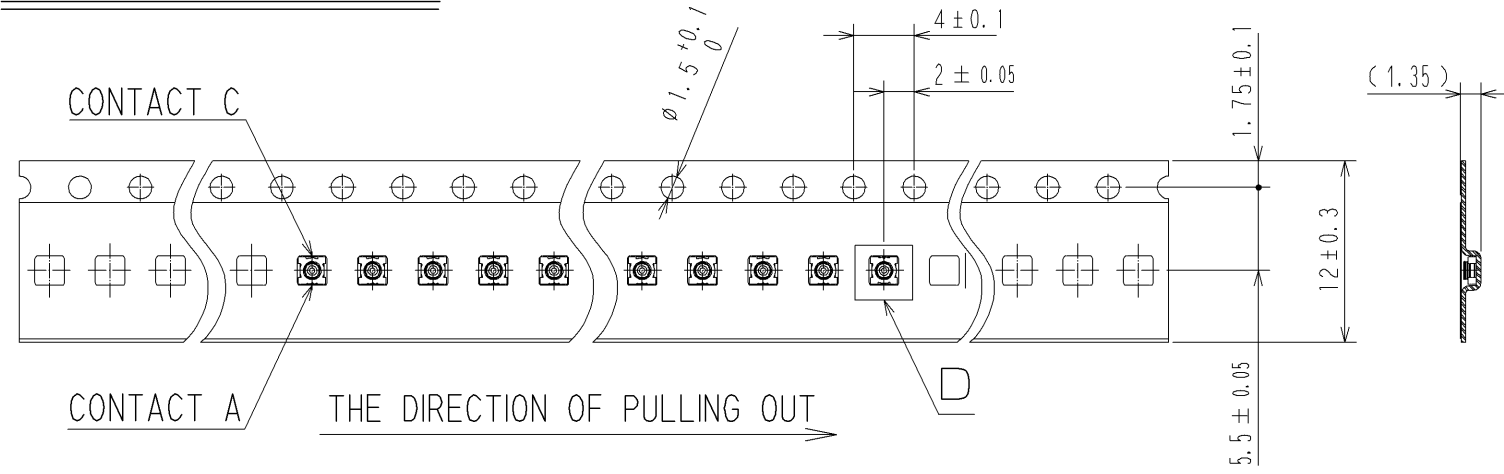
NOTE 1. Circuit shall be as follows.



- For use of this product, be sure to put contact area of plug on position P perpendicularly.
- Lead co-planarity is to be 0.08mm MAX.
- Do not use the washing process.
- Please do not change the specified layout of the PCB dimension and the layout of the stencil plate dimension and thickness otherwise could not be responsible for the solderability of the product.
- This product is intended to be used for circuit inspection only. Consult us if any other application is considered.
- Do not use hand soldering for mounting of MS-180.

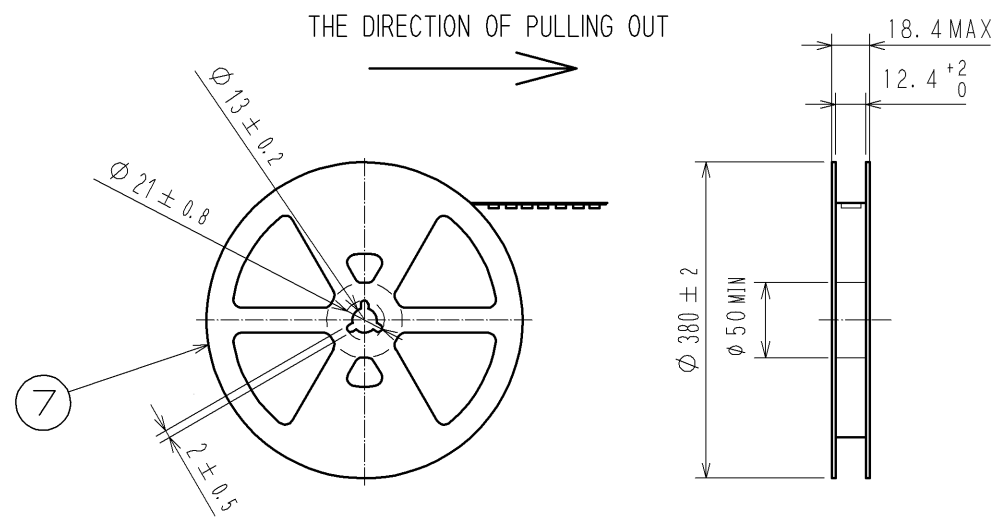
3	CU-NI-SI-ALLOY	SELECTIVE GOLD PLATING	7	PS	
2	LCP-M		6	PS	
1	BRASS	SELECTIVE GOLD PLATING	5	PS	
NO.	MATERIAL	FINISH . REMARKS	NO.	MATERIAL	FINISH . REMARKS
UNITS mm		SCALE 15 : 1	COUNT 	DESCRIPTION OF REVISIONS DIS-J-001356	DESIGNED TS. NAKAGAWA
APPROVED : KJ. KAWAMURA 08.11.08			CHECKED NK. NINOMIYA		
CHECED : TY. OZAKI 08.11.07			DATE 11.09.13		
DESIGNED : TS. NAKAGAWA 08.11.07			DRAWING NO. EDC3-180771-00		
DRAWN : TS. NAKAGAWA 08.11.07			PART NO. MS-180		
			CODE NO. CL358-0265-7-00		
			1/2		

PACKAGING SPECIFICATION (2:1)

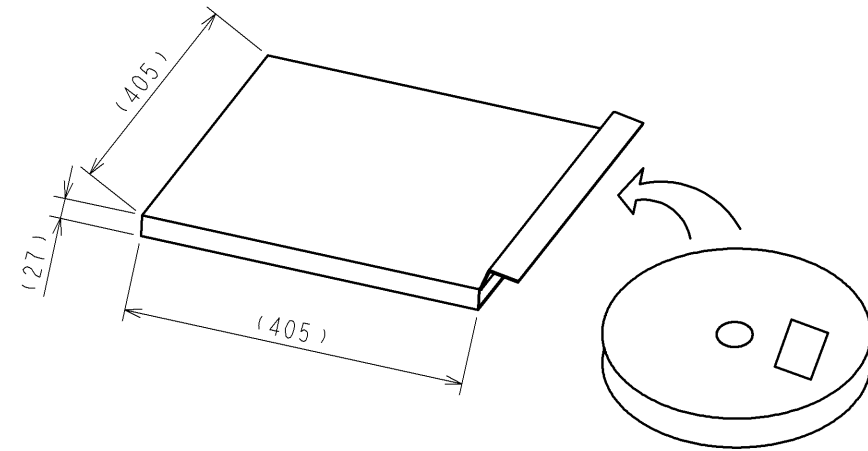


REEL DIMENSIONS(FREE)

15000 PIECES PER REEL



OUTER PACKAGING CASE(FREE)



<b>HRS</b>	DRAWING NO.	EDC3-180771-00	4/2
	PART NO.	MS-180	
	CODE NO.	CL358-0265-7-00	