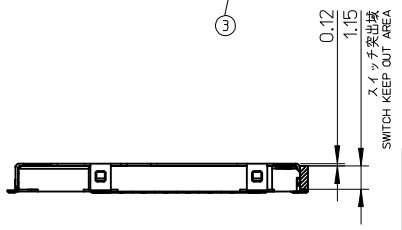


T1 DATA2
 T2 CD/DAT3
 T3 CMD
 T4 vdd
 T5 CLK
 T6 vs
 T7 DAT10
 T8 DAT1
 T9
 T10
 T11
 T12
 T13
 T14
 T15
 T16
 T17
 T18
 T19
 T20
 T21
 T22
 T23
 T24
 T25
 T26
 T27
 T28
 T29
 T30
 T31
 T32
 T33
 T34
 T35
 T36
 T37
 T38
 T39
 T40
 T41
 T42
 T43
 T44
 T45
 T46
 T47
 T48
 T49
 T50
 T51
 T52
 T53
 T54
 T55
 T56
 T57
 T58
 T59
 T60
 T61
 T62
 T63
 T64
 T65
 T66
 T67
 T68
 T69
 T70
 T71
 T72
 T73
 T74
 T75
 T76
 T77
 T78
 T79
 T80
 T81
 T82
 T83
 T84
 T85
 T86
 T87
 T88
 T89
 T90
 T91
 T92
 T93
 T94
 T95
 T96
 T97
 T98
 T99
 T100



503182-1852	8
EMBOSSED TAPE	極数
ORDER No. オーダー番号	CIRCUITS
CONNECTOR SERIES No. 503182-***42	

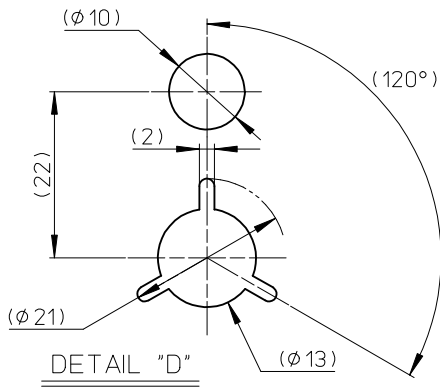
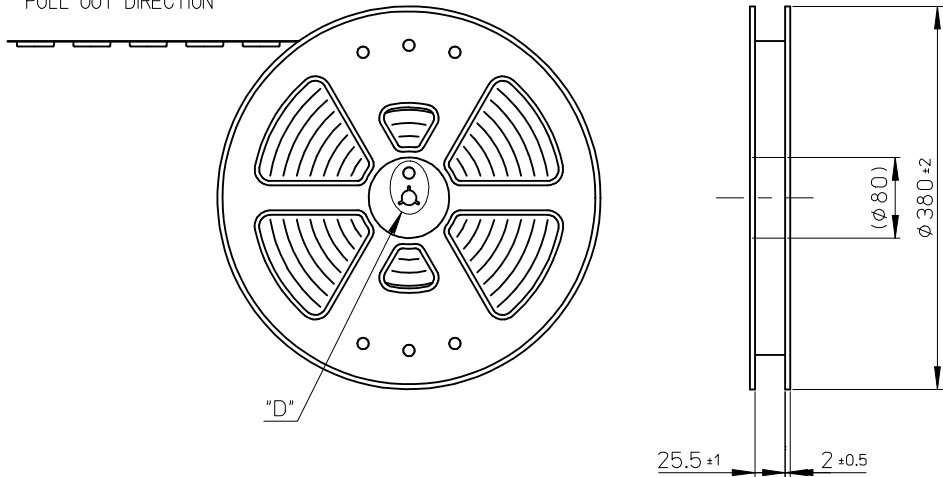
REVISED
 EC NO: J2013-1070
 DRWNY:YGOTO 2013/03/27
 CHKD:MTOMITA 2013/03/27
 APPR:YOITO 2013/03/28
 B

GENERAL TOLERANCES (UNLESS SPECIFIED)
 10 UNDER ±0.2
 10 OVER 30 UNDER ±0.25
 30 OVER ±0.3
 ANGULAR ±1 °
 DRAFT WHERE APPLICABLE MUST REMAIN WITHIN DIMENSIONS

DIMENSION STYLE
 MM ONLY
 DRAWN BY YGOTO
 CHECKED BY MTOMITA
 APPROVED BY YOITO
 DATE 2013/03/08
 DATE 2013/03/08
 DATE 2013/03/12
 MATERIAL NO. SEE CHART
 SIZE A3

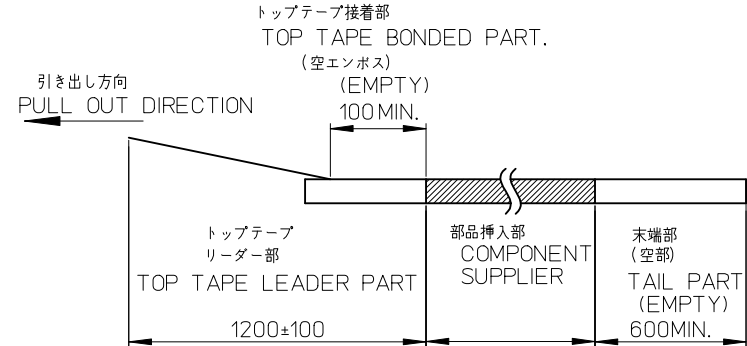
SCALE 4:1
 DESIGN UNITS METRIC
 THIRD ANGLE PROJECTION
 TITLE MICRO SD CONN. NORMAL ULTRA LOW-PROFILE ASSY
molex
 DOCUMENT NO. SD-503182-011
 SHEET NO. 1 OF 2
 THIS DRAWING CONTAINS INFORMATION THAT IS PROPRIETARY TO MOLEX INCORPORATED AND SHOULD NOT BE USED WITHOUT WRITTEN PERMISSION

引き出し方向
PULL OUT DIRECTION



NOTES

- 製品詳細寸法は製品単体図面を参照して下さい。
FOR DETAIL OF CONNECTOR DIMENSIONS, PLEASE SEE THE DRAWING OF CONNECTOR ITSELF (NOT PACKAGED).
- 梱包数量: 1600個/リール
NUMBER OF CONNECTORS: 1600 PCS/REEL.
- リードテープ長さ LEAD TAPE LENGTH.



- 材料 MATERIAL
キャリアテープ(CARRIER TAPE): ポリスチレン (POLYSTYRENE)
トップテープ(TOP TAPE): PET, PE, PEF
リール(REEL): ポリスチレン(PS)<リサイクル材含む>
POLYSTYRENE (PS)<RECYCLE MATERIAL CONTAINED>
- ELV AND RoHS COMPLIANT

503182-1852	8
EMBOSSED TAPE	極数
ORDER No. オーダー番号	CIRCUITS
CONNECTOR SERIES No. 503182-***42	

RELEASED EC NO.: J2013-0986 DRWN: YGOTO 2013/03/08 CHKD: MTOMITA 2013/03/08 APPR: YOITO 2013/03/12	DESCRIPTION REV: A	GENERAL TOLERANCES (UNLESS SPECIFIED)		DIMENSION STYLE MM ONLY		SCALE ---	DESIGN UNITS METRIC	THIRD ANGLE PROJECTION		
		10 UNDER	±0.2	DRAWN BY YGOTO	DATE 2013/03/08	TITLE MICRO SD CONN. ULTRA LOW-PRO EMBOSSED TAPE PACKAGE				
		10 OVER 30 UNDER	±0.25	CHECKED BY MTOMITA	DATE 2013/03/08	DOCUMENT NO. SD-503182-012				
		30 OVER	±0.3	APPROVED BY YOITO	DATE 2013/03/12	SHEET NO. 1 OF 2				
		ANGULAR ±1 °		MATERIAL NO. SEE CHART						
		DRAFT WHERE APPLICABLE MUST REMAIN WITHIN DIMENSIONS		THIS DRAWING CONTAINS INFORMATION THAT IS PROPRIETARY TO MOLEX INCORPORATED AND SHOULD NOT BE USED WITHOUT WRITTEN PERMISSION						

10 9 8 7 6 5 4 3 2 1

F

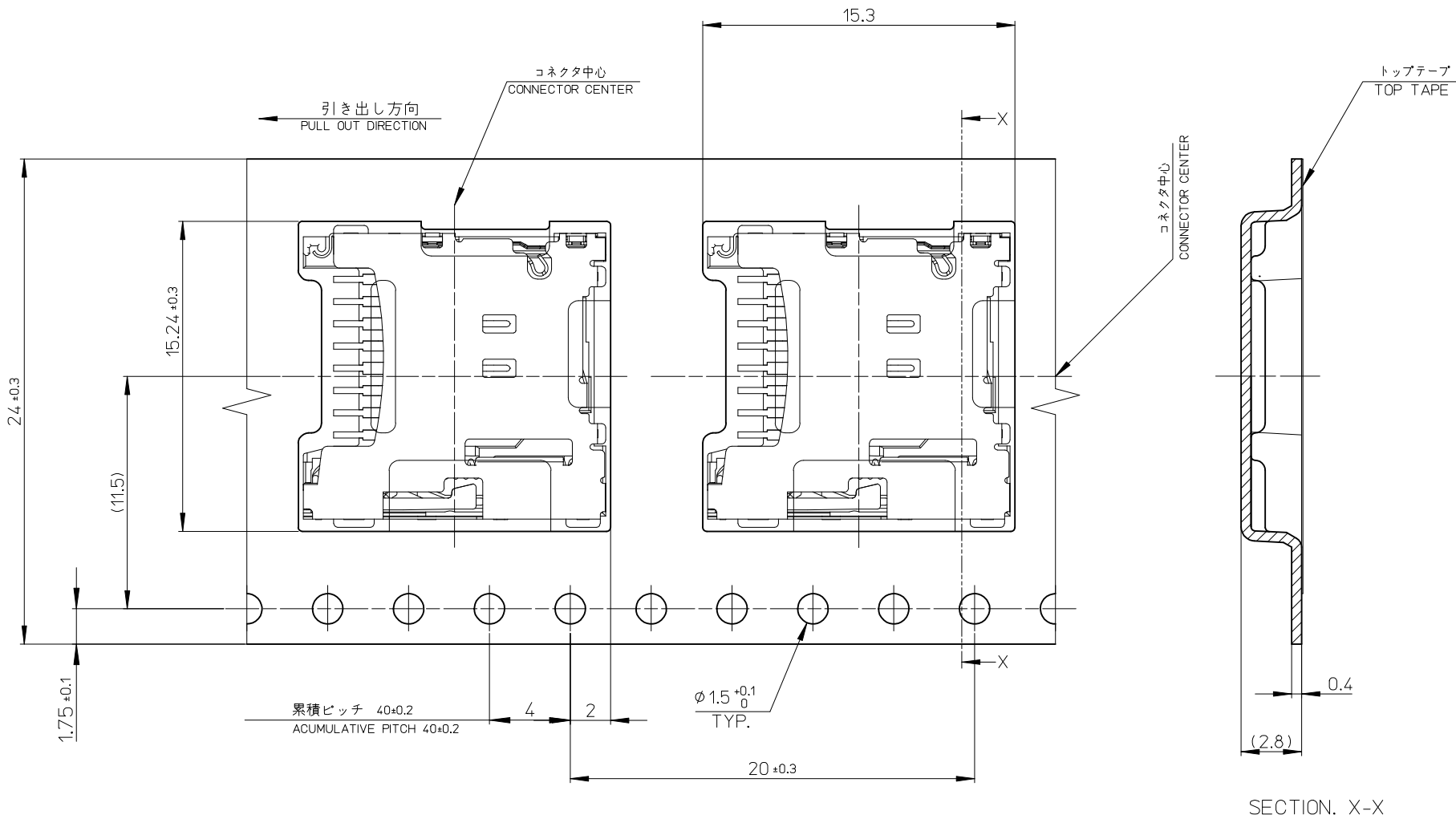
E

D

C

B

A



RELEASED EC NO.: J2013-0986 DRWN: YGOTO CHKD: MTOMITA APPR: YOITO	2013/03/08 2013/03/08 2013/03/12		GENERAL TOLERANCES (UNLESS SPECIFIED)		DIMENSION STYLE MM ONLY		SCALE 5:1	DESIGN UNITS METRIC	THIRD ANGLE PROJECTION	
	10 UNDER	± 0.2	DRAWN BY YGOTO	DATE 2013/03/08	TITLE MICRO SD CONN. ULTRA LOW-PRO EMBOSSED TAPE PACKAGE					
	10 OVER 30 UNDER	± 0.25	CHECKED BY MTOMITA	DATE 2013/03/08	molex					
	30 OVER	± 0.3	APPROVED BY YOITO	DATE 2013/03/12	MATERIAL NO. SEE SHEET 1 OF 2		DOCUMENT NO. SD-503182-012	SHEET NO. 2 OF 2		
A	DESCRIPTION ANGULAR $\pm 1^\circ$ DRAFT WHERE APPLICABLE MUST REMAIN WITHIN DIMENSIONS	THIS DRAWING CONTAINS INFORMATION THAT IS PROPRIETARY TO MOLEX INCORPORATED AND SHOULD NOT BE USED WITHOUT WRITTEN PERMISSION								

9 8 7 6 5 4 3 2