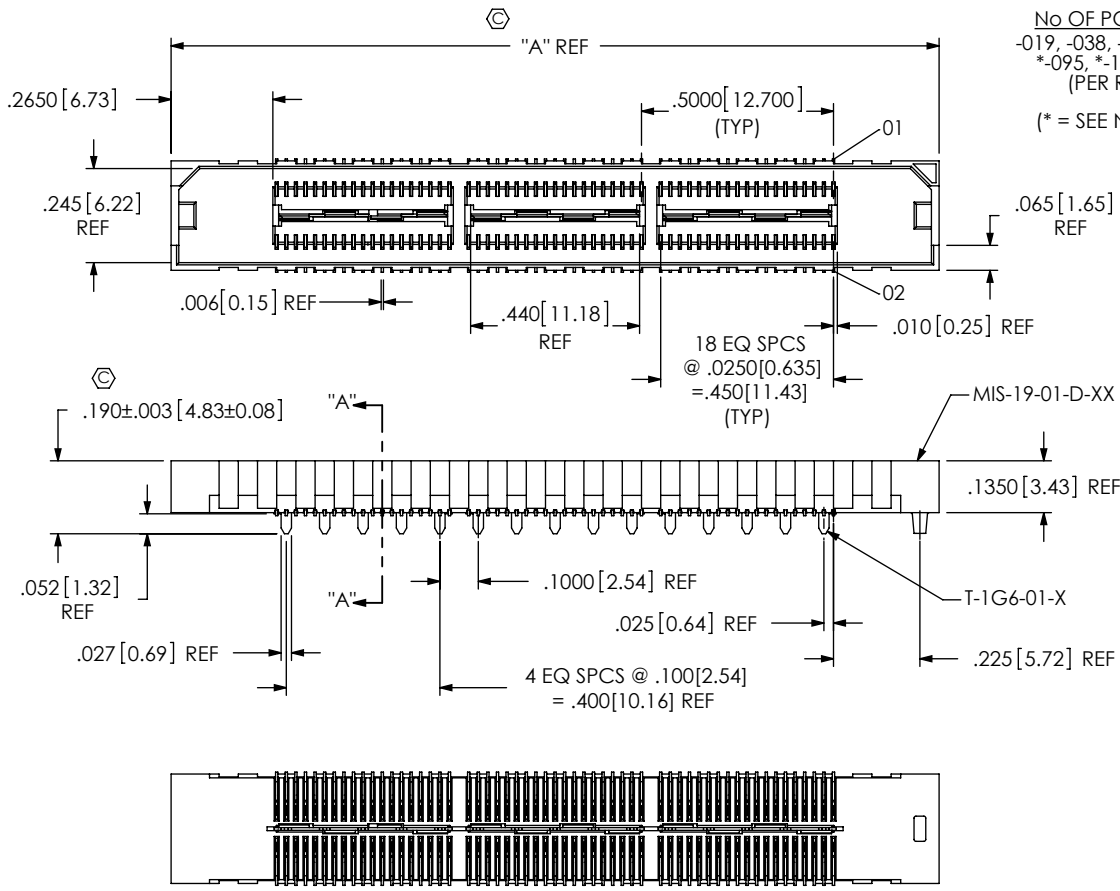


DO NOT SCALE FROM THIS PRINT

MIS-XXX-XX-X-D-XX



No OF POSITIONS
 -019, -038, -057, *-076, *-095, *-114, *-133 (PER ROW)
 (* = SEE NOTE 11)

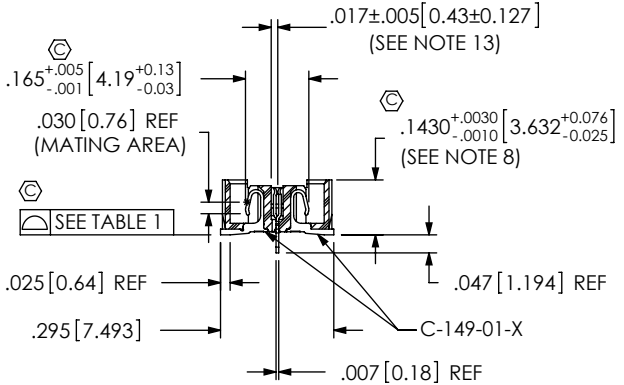
LEAD STYLE
 -01: .1430 [3.632]

OPTION
 -K: POLYIMIDE FILM PAD (USE K-DOT-.325-.450-.005, SEE FIG 2, SHT 2)
 -TR: TAPE & REEL (-076 POS MAX)

ROW SPECIFICATION
 -D: DOUBLE (USE MIS-19-01-D-XX)

No OF BANKS

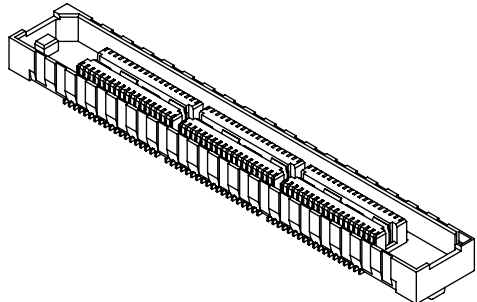
PLATING SPECIFICATION
 -F: 3μ" FLASH GOLD IN CONTACT AREA, MATTE TIN ON TAIL. (USE C-149-01-F AND T-1G6-01-F)
 -L: 10μ" LIGHT GOLD IN CONTACT AREA, MATTE TIN ON TAIL. (USE C-149-01-L AND T-1G6-01-L)
 -H: 30μ" GOLD IN CONTACT AREA, 3μ" GOLD ON TAIL. (USE C-149-01-H AND T-1G6-01-H)
 -C: 50μ" ELECTRO-POLISHED GOLD IN CONTACT AREA, MATTE TIN ON TAIL. (USE C-149-01-C AND T-1G6-01-L)



- NOTES:
1. Ⓢ REPRESENTS A CRITICAL DIMENSION.
 2. NOTE DELETED.
 3. MAXIMUM BURR ALLOWANCE: .0015 [0.038] MAX.
 4. MINIMUM TERMINAL RETENTION: 8 OZ.
 5. MINIMUM GROUND PLANE RETENTION: 8 OZ.
 6. MAXIMUM ALLOWABLE BOW: .002 [0.05] INCH/INCH AFTER ASSEMBLY.
 7. PARTS TO BE MOLDED TO POSITION.
 8. MAX VARIANCE: .002 [0.05].
 9. NOTE DELETED.
 10. -L PLATING CAN BE SUBSTITUTED FOR -F PLATING.
 11. FOR APPLICATIONS REQUIRING THESE POSITIONS, PLEASE CONTACT SAMTEC INTERCONNECT PROCESSING GROUP.
 12. TO BE PACKAGED IN TRAYS.
 13. CHECK ONCE PER BANK ALTERNATING SIDES FOR MULTIPLE BANK PARTS.

TABLE 1	
No OF POS	COPLANARITY
-019 THRU -076	.004 [0.10]
-095 THRU -133	.006 [0.15]

TABLE 2	
No. OF POS	"A"
-019	1.000 [25.40]
-038	1.500 [38.10]
-057	2.000 [50.80]
-076	2.500 [63.50]
-095	3.000 [76.20]
-114	3.500 [88.90]
-133	4.000 [101.60]



UNLESS OTHERWISE SPECIFIED, DIMENSIONS ARE IN INCHES.
 TOLERANCES ARE:
 DECIMALS ANGLES
 .XX: ± .01 [3] ± 2°
 .XXX: ± .005 [13]
 .XXXX: ± .0020 [0.51]

PROPRIETARY NOTE
 THIS DOCUMENT CONTAINS INFORMATION CONFIDENTIAL AND PROPRIETARY TO SAMTEC, INC. AND SHALL NOT BE REPRODUCED OR TRANSFERRED TO OTHER DOCUMENTS OR DISCLOSED TO OTHERS OR USED FOR ANY PURPOSE OTHER THAN THAT WHICH IT WAS OBTAINED WITHOUT THE EXPRESSED WRITTEN CONSENT OF SAMTEC, INC.

MATERIAL: DO NOT SCALE DRAWING SHEET SCALE: 2:1
 INSULATOR: LCP, UL 94 V-0; COLOR: BLACK
 CONTACT & GROUND PLANE: PHOS BRONZE

520 PARK EAST BLVD, NEW ALBANY, IN 47150
 PHONE: 812-944-6733 FAX: 812-948-5047
 e-Mail: info@SAMTEC.com code: 55322

DESCRIPTION:
 .635mm DOUBLE ROW HS SOCKET ASSEMBLY

DWG. NO.
MIS-XXX-XX-X-D-XX

BY: DEAN P 7/7/1999 SHEET 1 OF 2

FIG 2
 -K: POLYIMIDE FILM PAD
 (USE K-DOT-.325-.450-.005)

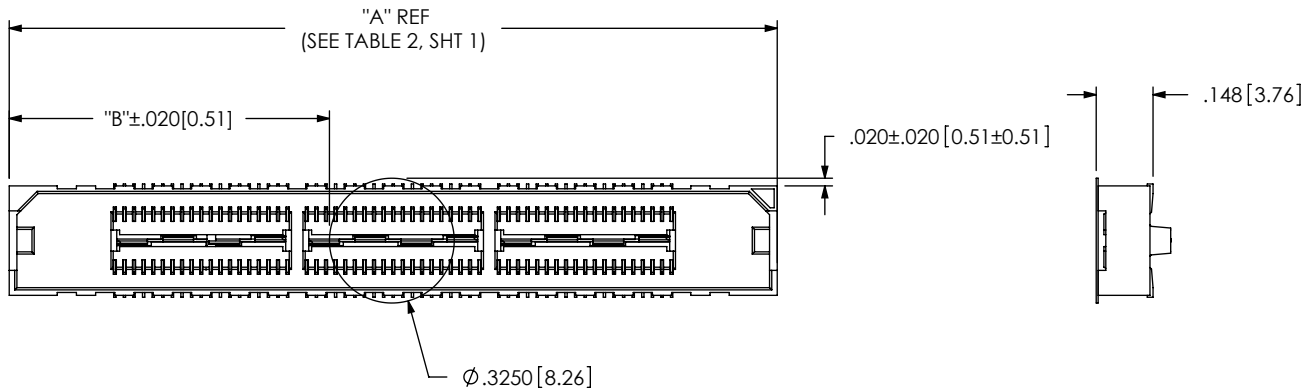
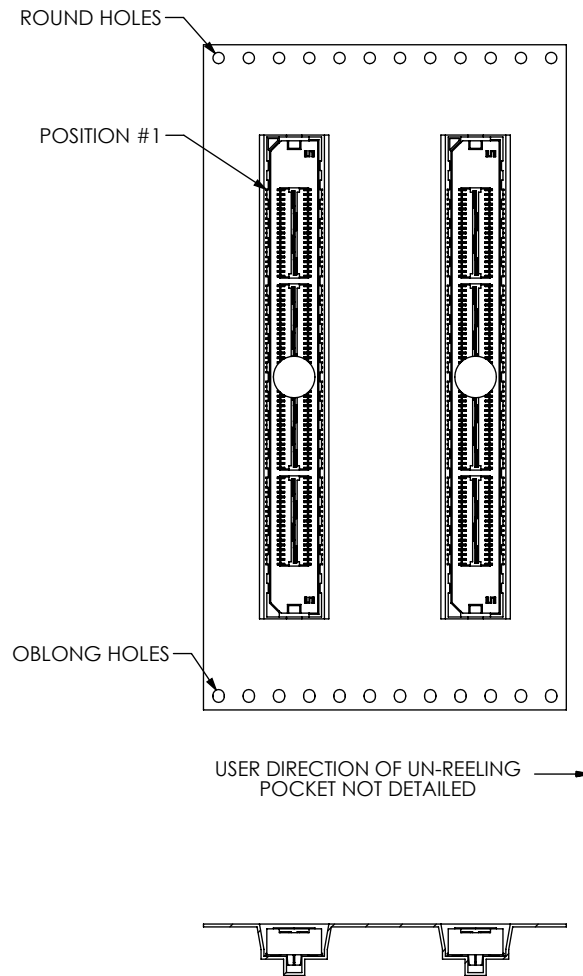


TABLE 3

No. OF POS	"B"
-019	.338 [8.57]
-038	.588 [14.92]
-057	.838 [21.27]
-076	1.088 [27.62]
-095	1.338 [33.97]
-114	1.588 [40.32]
-133	1.838 [46.67]

FIG 3
 -TR: TAPE & REEL OPTION
 (MIS-057-01-X-D-K-TR SHOWN)
 (DIFFERENT AS SHOWN, OTHERWISE SAME AS FIG 1)
 (-076 POS MAX)



CRITICAL DIMENSION INSPECTION INSTRUCTION TABLE	
ASSEMBLY OPERATION	IN PROCESS INSPECTION
FILL C-149-01-X	C1, C2, C5
FILL T-1G6-01-X	C4, C8
ADD -K OPTION	C6, C7

PROPRIETARY NOTE
 THIS DOCUMENT CONTAINS INFORMATION CONFIDENTIAL AND PROPRIETARY TO SAMTEC, INC. AND SHALL NOT BE REPRODUCED OR TRANSFERRED TO OTHER DOCUMENTS OR DISCLOSED TO OTHERS OR USED FOR ANY PURPOSE OTHER THAN THAT WHICH IT WAS OBTAINED WITHOUT THE EXPRESSED WRITTEN CONSENT OF SAMTEC, INC.

DO NOT SCALE DRAWING

SHEET SCALE: 2:1



520 PARK EAST BLVD, NEW ALBANY, IN 47150
 PHONE: 812-944-6733 FAX: 812-948-5047
 e-Mail: info@SAMTEC.com code: 55322

DESCRIPTION:
 .635mm DOUBLE ROW HS SOCKET ASSEMBLY

DWG. NO.
MIS-XXX-XX-X-D-XX

BY: DEAN P 7/7/1999 SHEET 2 OF 2