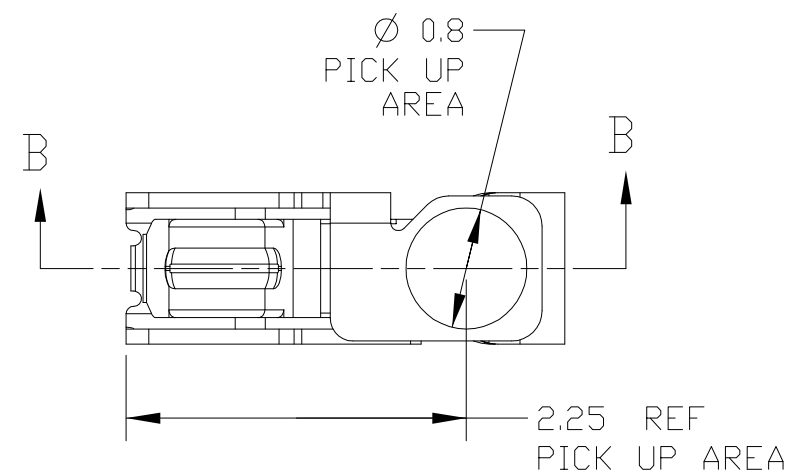
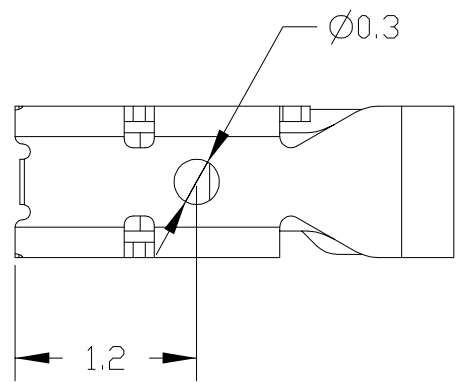
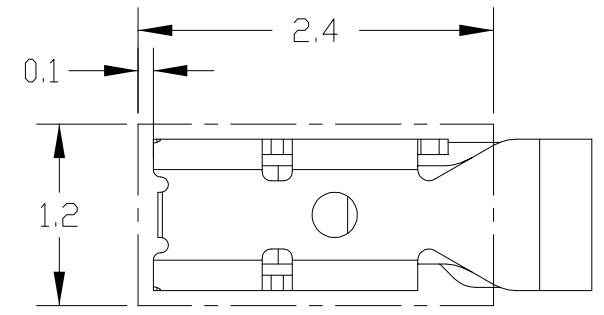
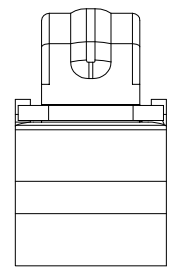
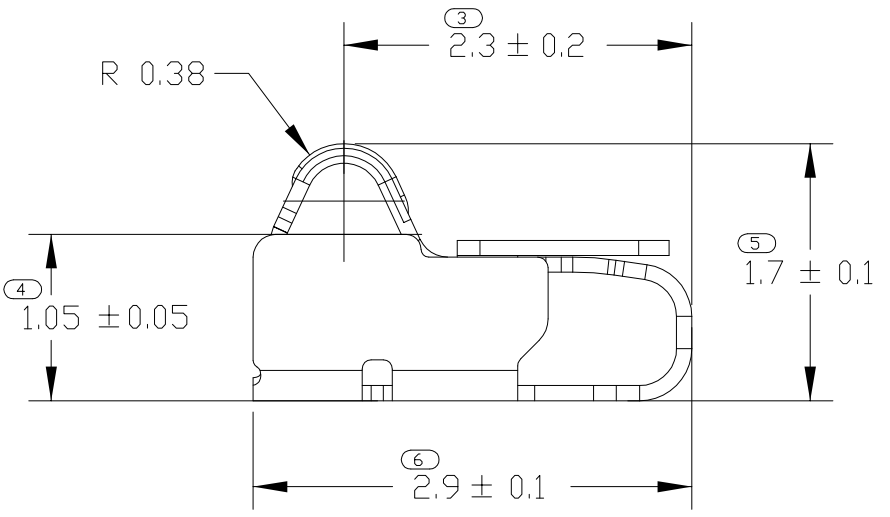
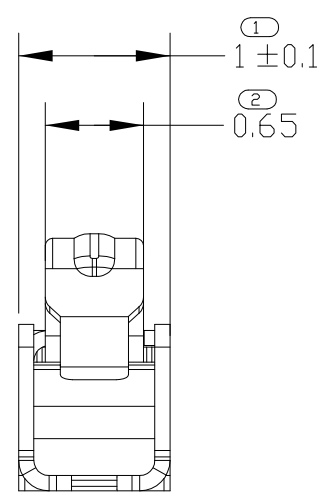
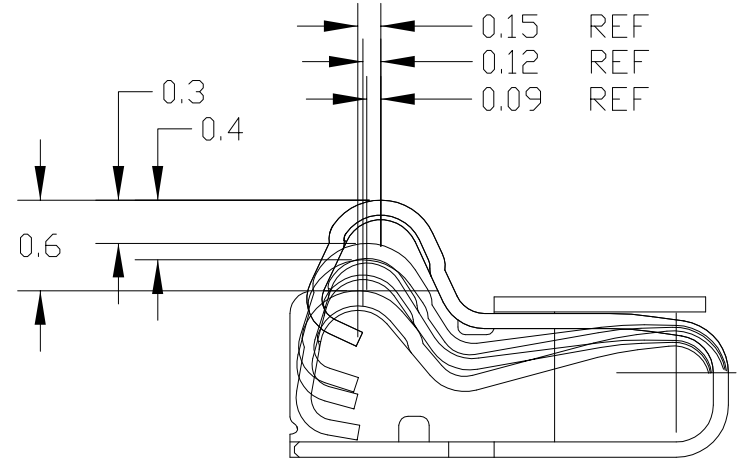


LOC	DIST	REVISIONS					
		P	LTR	DESCRIPTION	DATE	DWN	APVD
-	-		B	REVISED	05JUNE2013	IC.K	JH.K
			C	REVISED	13JUNE2013	IC.K	JH.K
			C1	REVISED	25FEB2014	IC.K	JH.K
			C2	REVISED	05FEB2014	IC.K	JH.K



AS SHOWN  
 (C1) 2108611-5/6  
 (C2) 2-2108611-6



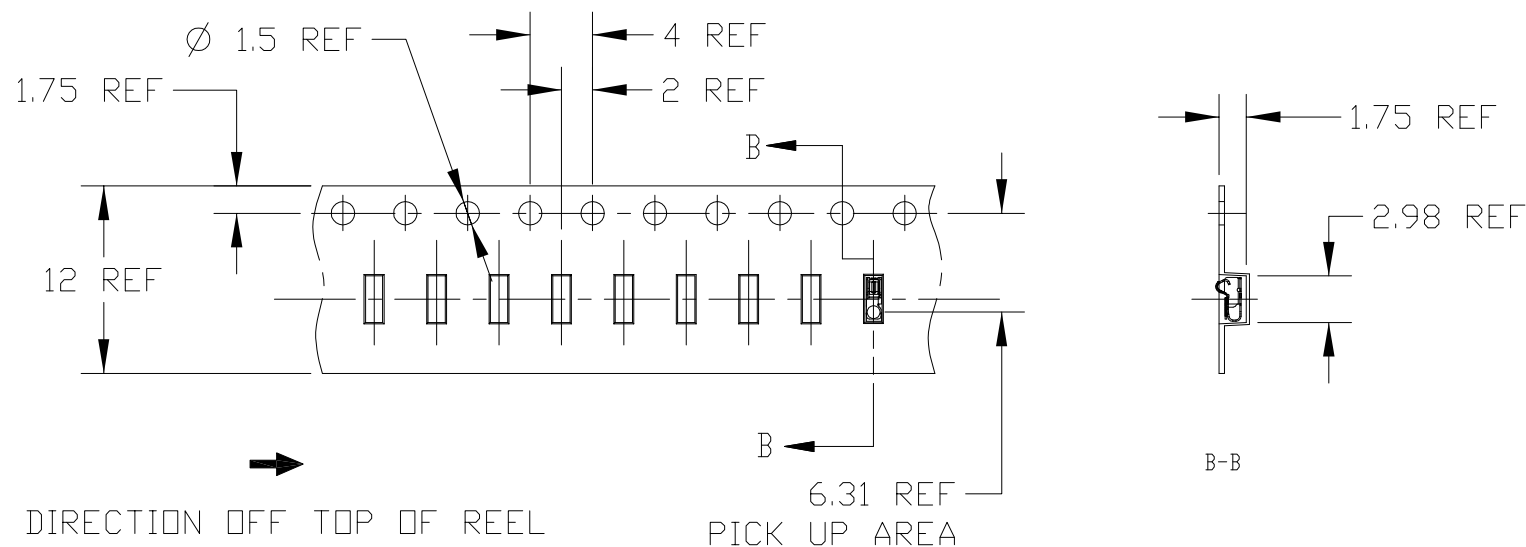
- 1 MATERIAL: COPPER ALLOY, THK.=0.1mm
- 2 FINISH: Ni UNDER PLATING ALL OVER 0.8~3.0um.  
 CONTACT PLATING: Au 0.1~0.4um  
 SOLDER PLATING: Au FLASH 0.05~0.35um
- 3 CUTTING BURR: 0.05mm MAX.
- (C1) 4 F/G SHOULD BE SEPARATED BASED ON THE CUSTOMER'S PART NUMBER AS BELOW TABLE

NO	PART NUMBER	CUSTOMER PART NUMBER	PRODUCT SPEC
1	2108611-5	MCE62632901	108-61186
2	2108611-6	EAG63652201	108-61186
(C2) 3	2-2108611-6	-	108-61251

THIS DRAWING IS A CONTROLLED DOCUMENT.		DWN IC KANG 05APR2013				
DIMENSIONS: mm		CHK JH KIM 05APR2013				
TOLERANCES UNLESS OTHERWISE SPECIFIED: $\pm 0.15$		APVD JH KIM 05APR2013	NAME			
0-PLC $\pm$ 1-PLC $\pm 0.5$ 2-PLC $\pm 0.13$ 3-PLC $\pm 0.013$ 4-PLC $\pm 0.0001$ ANGLES $\pm$		PRODUCT SPEC SEE TABLE 4	SPRING FINGER 1.7H			
MATERIAL - 1		APPLICATION SPEC -	SIZE A3	CAGE CODE 00779	DRAWING NO C-2108611	RESTRICTED TO -
FINISH - 2		WEIGHT -	SCALE 20:1		SHEET 1 OF 3	REV C2
CUSTOMER DRAWING						

LOC	DIST	REVISIONS					
		P	LTR	DESCRIPTION	DATE	DWN	APVD
-	-			SEE SHEET 1			

① 4 <2108611-5 : FOR MCE62632901>

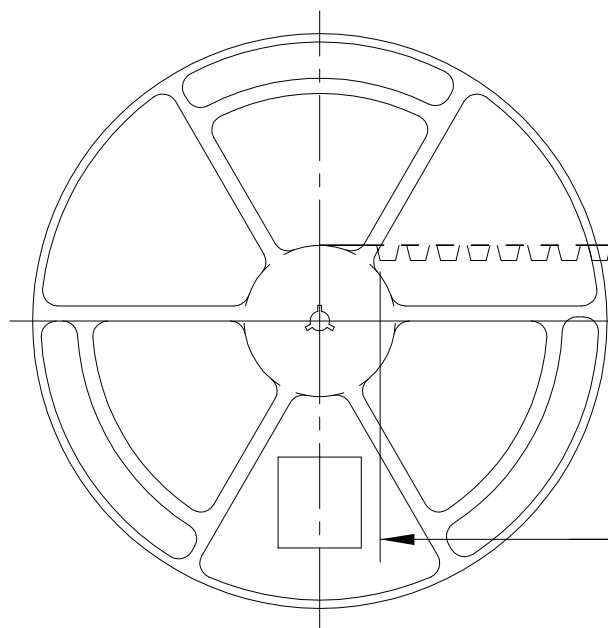
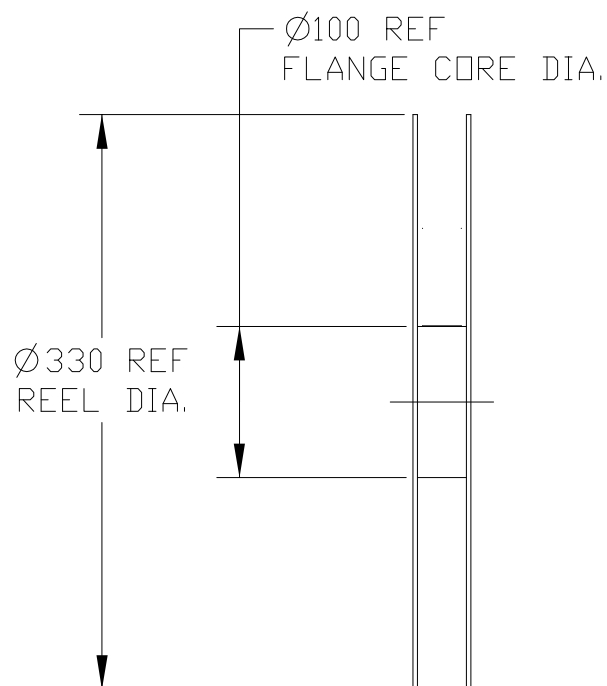


①

MCE62632901-YYYYMMDD-\*\*\*\*\*-HK000120  
 SPEC: 1.7H SPRING FINGER WITH EMBOSS  
 Company Name: TE CONNECTIVITY  
 Tyco Part Number :2108611-5

**RoHS H/F**

- 1. LG PART NO.
- 2. FINAL INSPECTION(YYYMMDD)
- 3. VENDOR PRODUCTION LOT NO.
- 4. VENDOR CODE



WEEDING THE COVER TAPE, AROUND THE OUTER PERIPHERY IN A TURN.

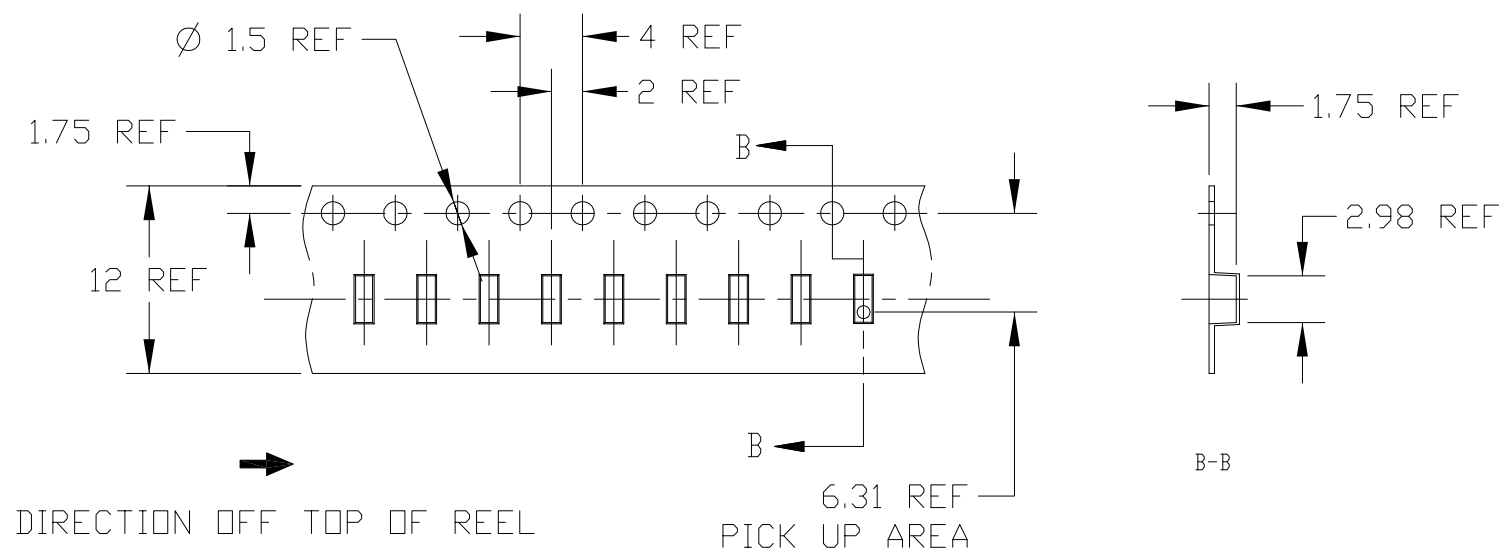
165°~180° PEELING ANGLE  
 0.1~1.0 N PEELING FORCE



THIS DRAWING IS A CONTROLLED DOCUMENT.		DWN IC KANG 05APR2013	TE Connectivity				
DIMENSIONS: mm		CHK JH KIM 08FEB2013					
TOLERANCES UNLESS OTHERWISE SPECIFIED: ±0.15		APVD JH KIM 08FEB2013	NAME				
0-PLC ± 1-PLC ±0.5 2-PLC ±0.13 3-PLC ±0.013 4-PLC ±0.0001 ANGLES ± FINISH -		PRODUCT SPEC 108-XXXXX	SPRING FINGER 1.7H				
MATERIAL -		APPLICATION SPEC	SIZE	CAGE CODE	DRAWING NO	RESTRICTED TO	
		WEIGHT	A3	00779	©=2108611	-	
		CUSTOMER DRAWING	SCALE	20:1	SHEET	2 OF 3	REV
							C2

LOC	DIST	REVISIONS					
		P	LTR	DESCRIPTION	DATE	DWN	APVD
-	-			SEE SHEET 1			

# ① 2108611-6 : FOR EAG63652201

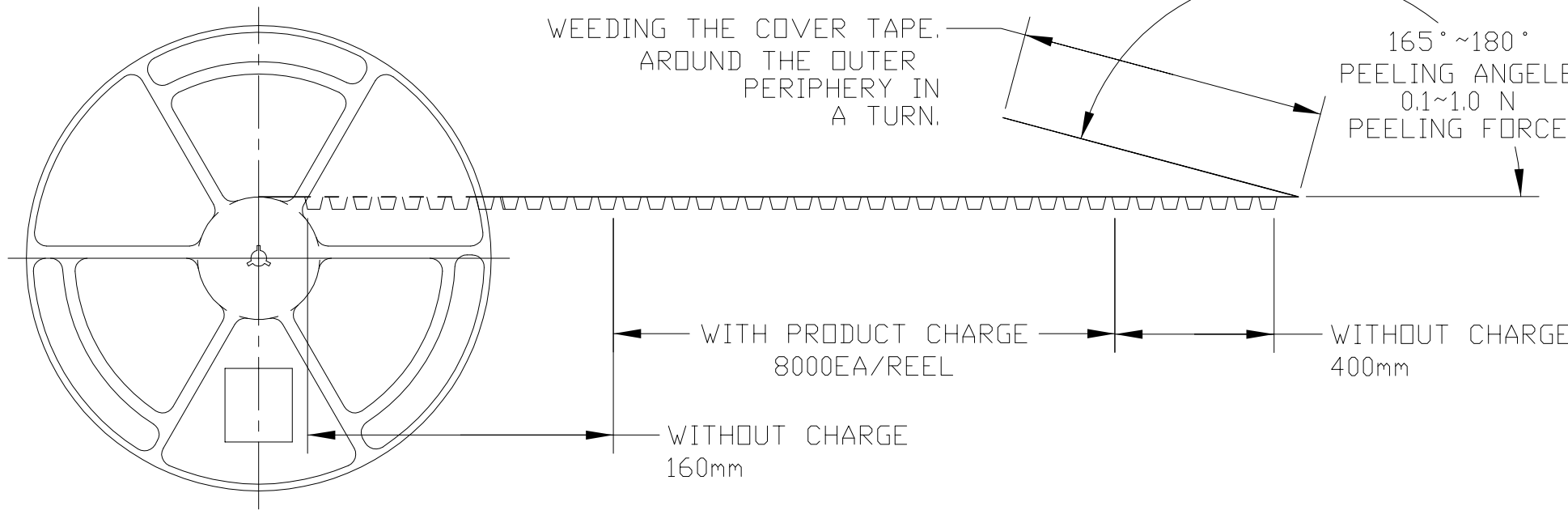
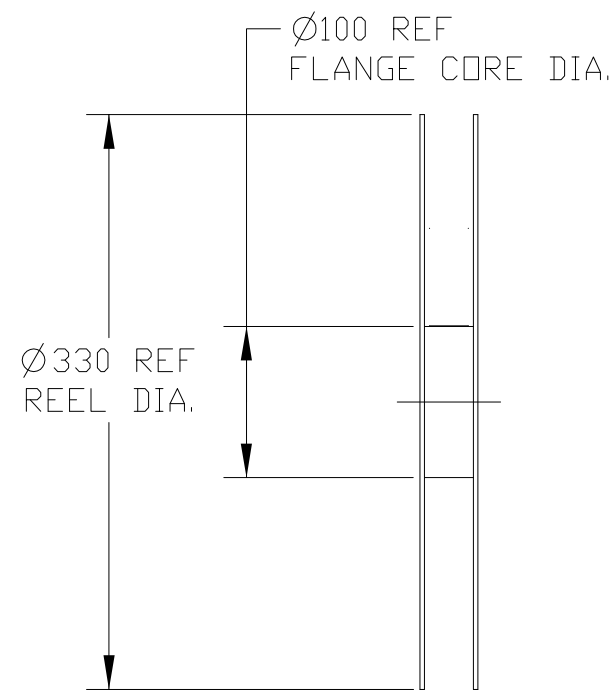


①

EAG63652201-YYYYMMDD-\*\*\*\*\*-HK000120  
 SPEC: ①.7H SPRING ②.FINGER WITH ③.EMBOSSED ④.  
 Company Name: TE CONNECTIVITY  
 Tyco Part Number :2108611-5

RoHS	H/F
------	-----

- 1. LG PART NO.
- 2. FINAL INSPECTION(YYMMDD)
- 3. VENDOR PRODUCTION LOT NO.
- 4. VENDOR CODE



THIS DRAWING IS A CONTROLLED DOCUMENT.		DWN IC KANG 05APR2013	TE Connectivity				
DIMENSIONS: mm		CHK JH KIM 08FEB2013					
TOLERANCES UNLESS OTHERWISE SPECIFIED: ±0.15		APVD JH KIM 08FEB2013	NAME SPRING FINGER 1.7H				
0-PLC ± 1-PLC ±0.5 2-PLC ±0.13 3-PLC ±0.013 4-PLC ±0.0001 ANGLES ± FINISH -		PRODUCT SPEC 108-XXXXX	SIZE A3	CAGE CODE 00779	DRAWING NO C=2108611	RESTRICTED TO -	
MATERIAL -		WEIGHT -	CUSTOMER DRAWING		SCALE 20:1	SHEET 3 OF 3	REV C2