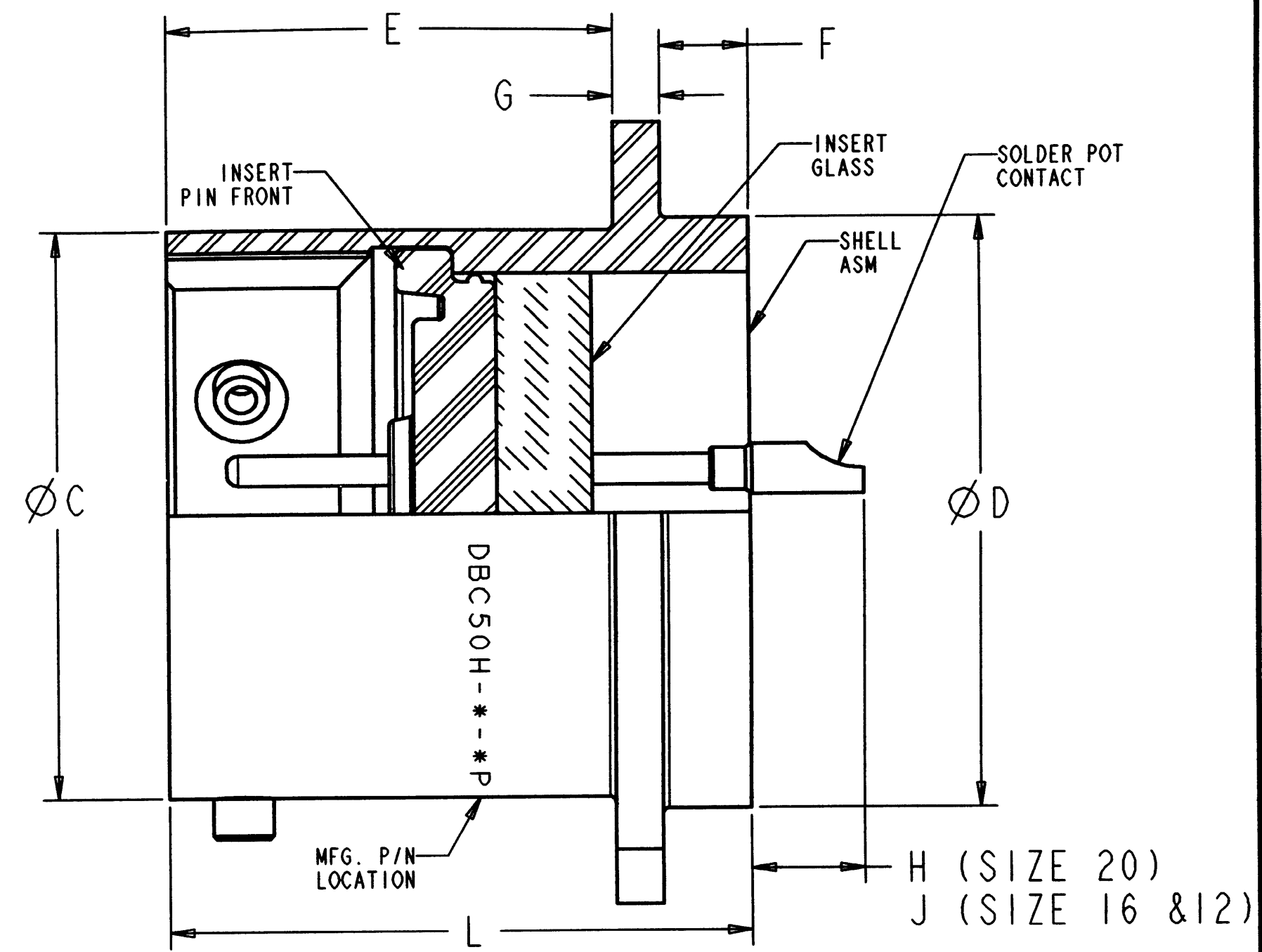
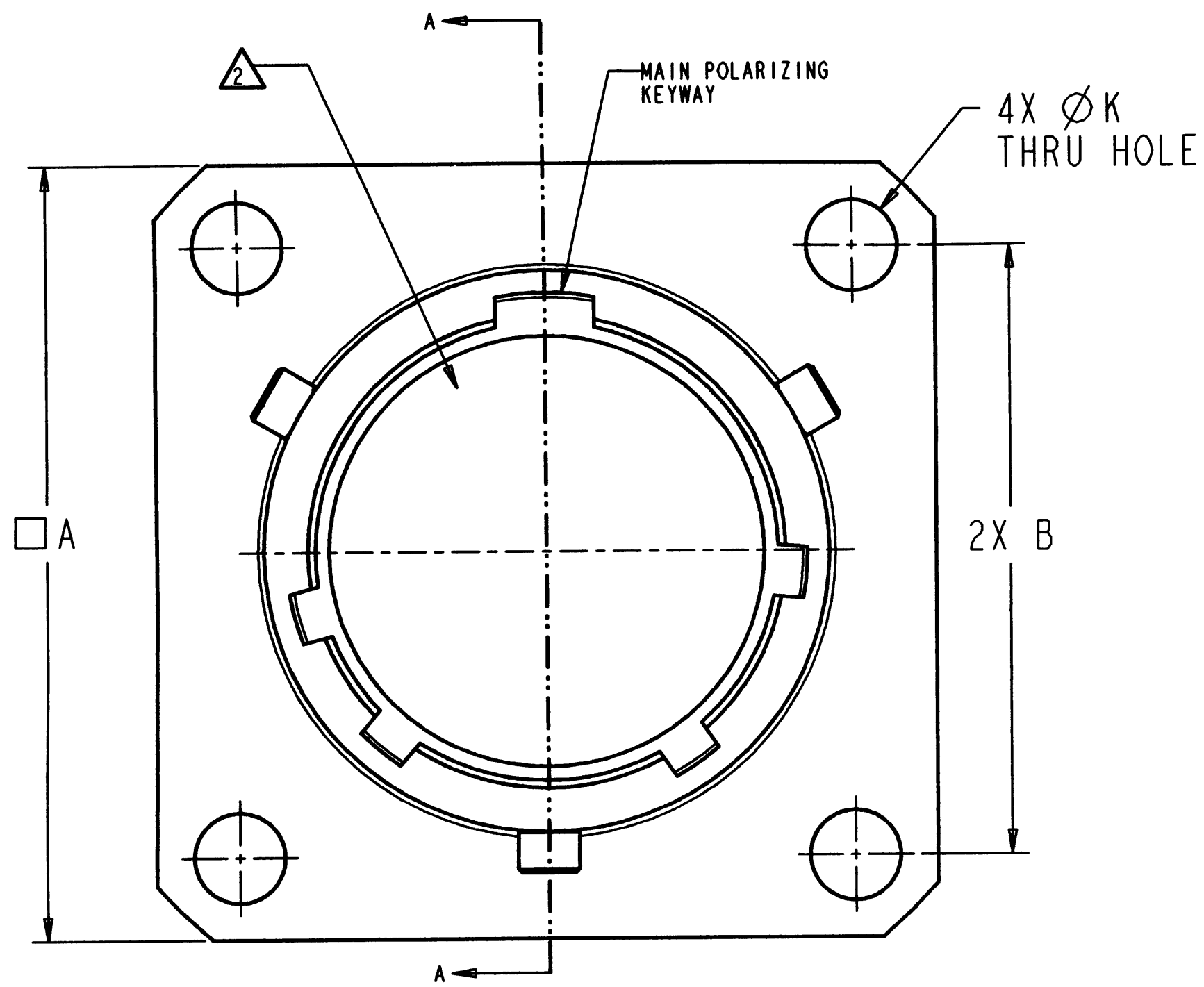


PROPERTY OF DEUTSCH E.C.D  
 THIS DRAWING CONTAINS PROPRIETARY INFORMATION THAT SHALL NOT BE DISCLOSED, DUPLICATED,  
 NOR USED IN WHOLE OR IN PART FOR ANY PURPOSE OTHER THAN TO EVALUATE THIS DRAWING.

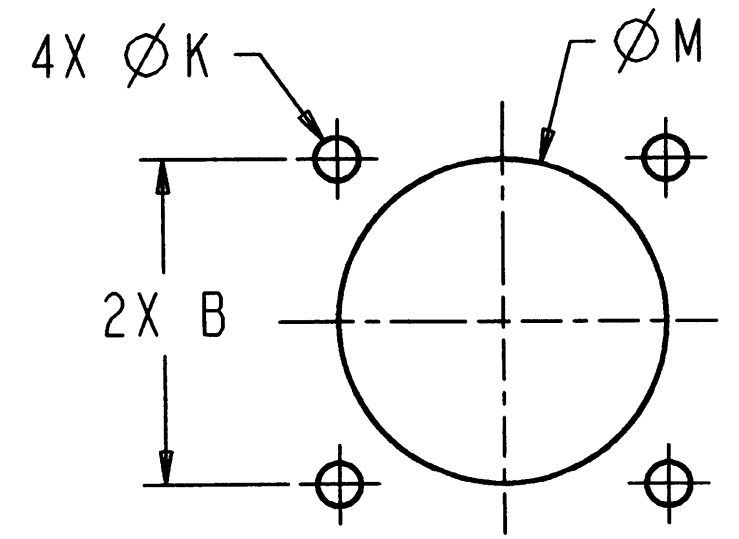
REVISIONS			
REV	DESCRIPTIONS	DATE	APPROVED
D	REDRAWN PER E.O. 61951	8/20/69	J. VEGA
E	REDRAWN & REVISED PER E.O. H2755	7-1-99	<i>[Signature]</i>
E	DBC50H-*-*P*		



PART No:	A MAX.	B±.005	+0.001 C-.005	+0.001 D-.005	E±.010	F±.010	G±.016	H±.030	J±.030	K±.005	L MAX. REF.	+0.010 M-.000	WEIGHT MAX (lb.)
DBC50H-8-*P*	.828	.594	.473	.562	.588	.115	.062	.148	.218	.120	.801	.572	.038
DBC50H-10-*P*	.954	.719	.590	.672	.588	.115	.062	.148	.218	.120	.801	.682	.044
DBC50H-12-*P*	1.047	.812	.750	.781	.588	.115	.062	.148	.218	.120	.801	.791	.052
DBC50H-14-*P*	1.141	.906	.875	.906	.588	.115	.062	.148	.218	.120	.801	.916	.070
DBC50H-16-*P*	1.234	.969	1.000	1.031	.588	.115	.062	.148	.218	.120	.801	1.041	.085
DBC50H-18-*P*	1.328	1.062	1.125	1.156	.588	.115	.062	.148	.218	.120	.801	1.166	.098
DBC50H-20-*P*	1.453	1.156	1.250	1.250	.650	.083	.093	.148	.218	.120	.863	1.260	.110
DBC50H-22-*P*	1.578	1.250	1.375	1.375	.650	.115	.093	.116	.186	.120	.895	1.385	.150
DBC50H-24-*P*	1.703	1.375	1.500	1.500	.650	.115	.093	.116	.186	.147	.895	1.510	.280

- DIMENSIONS ARE IN INCHES UNLESS OTHERWISE SPECIFIED.
  - INSERT ARRANGEMENT PER MIL-STD-1669.
  - LEAK RATE: < 1E-8 cc/sec He @ 1 atm.
  - MATES WITH AFD56-\*-\*S\* DEUTSCH PLUG CONNECTOR.
  - MATERIAL:  
 SHELL - C1215 MILD STEEL  
 INSULATOR - GLASS INSERT  
 CONTACT - 52 HIGH NICKEL-IRON ALLOY  
 INSERT PIN FRONT - FLUOROSILICONE
  - FINISH: SHELL - TIN OVER NICKEL PLATE  
 CONTACT - GOLD OVER NICKEL PLATE
- NOTE(S):

SECTION A-A



PART NUMBER DESCRIPTION:  
 DBC50H-\*-\*P\*-366  
 SHELL SIZE: 8, 10, 12, 14, 16, ...  
 CONTACT PIN WITH EYELET  
 INSERT ARRANGEMENT:  
 CONTACT PIN WITH SOLDER POT:  
 (OMIT -366)

CONTACT PIN WITH EYELET  
 INSERT POSITION:  
 EXAMPLE; N = NORMAL  
 W, X, Y, Z  
 FILE: DBC50H-X-XPX-SNP\_SHOT

UNLESS OTHERWISE SPECIFIED: DIMENSIONS ARE IN INCHES DECIMALS XXX ± .005 ANGLES ± .5° T.I.R. .010 PARTS TO HAVE NO BURRS OR SHARP EDGES	SIGNATURE & DATE	CONNECTOR, RECEPTACLE	CP	MATL CODE 73
	DR P. COVARRUBIAS 6/28/99	HERMETIC PIN UNIT		<b>DEUTSCH</b> HERMETIC PRODUCTS OPERATION 250 Eddie Jones Way Oceanside, CA 92054
	CHK <i>[Signature]</i> 7-1-99	NARROW FLANGE MOUNT		
	MATERIAL SEE NOTE	PE <i>[Signature]</i> 8/4/99	MIL-C-26482 SERIES 2	
FINISH SEE NOTE	APPD <i>[Signature]</i> 8/4/99	MS3440 ENVELOPE	C DWG SIZE	DBC50H-*-*P*
	SCALE: 1.000		CAGE CODE 11139	SHEET 1 OF 1