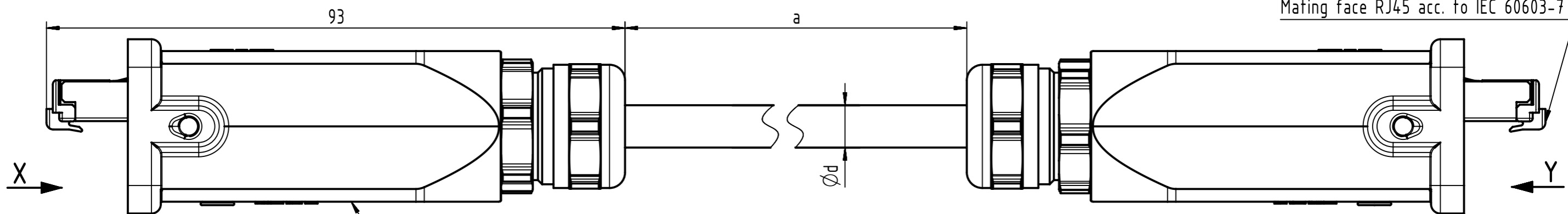


Connector Location A

Connector Location B

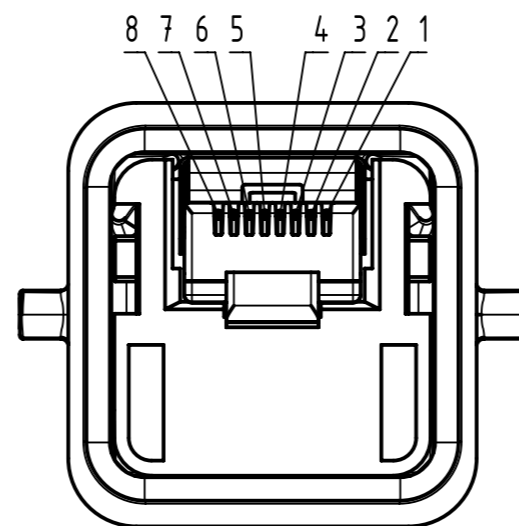


Han 3A Metal RJ45 Gigalink Cat. 6A (grey)

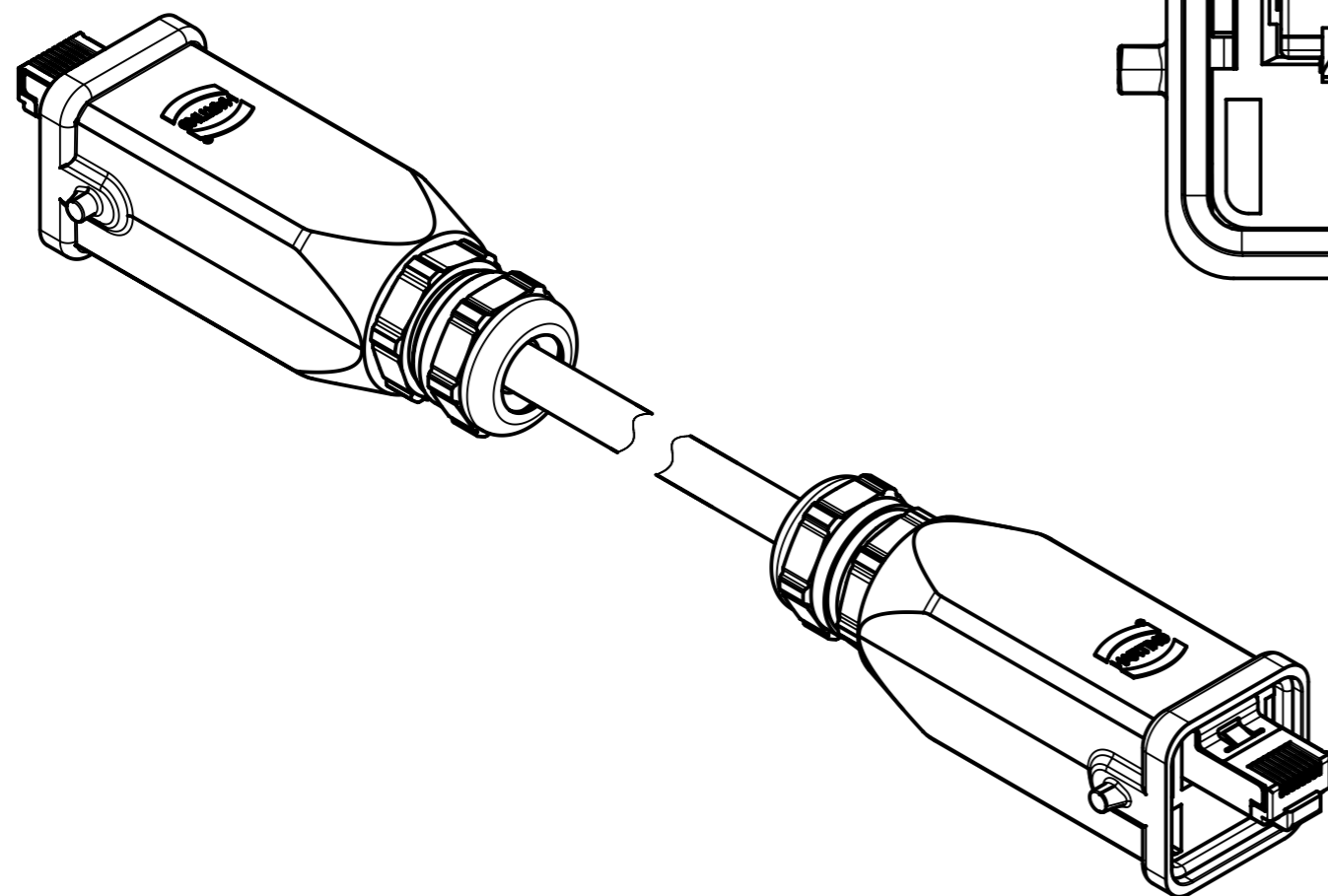
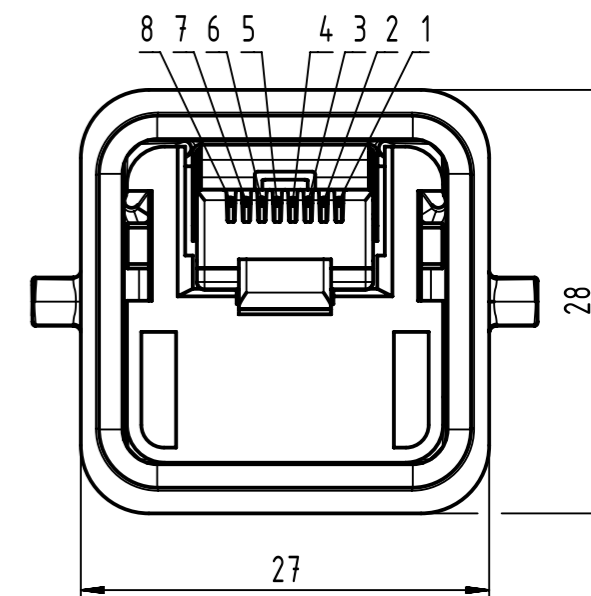
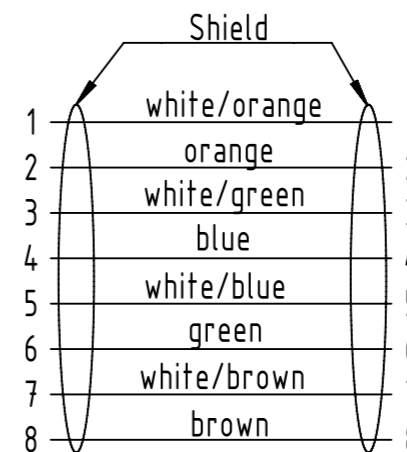
- Protection level: IP67/65
- Temperature range: -20°C ... +80°C

X  
male

Y  
male



Loading-Plan  
acc. to TIA/EIA 568B



	All rights reserved	Created by POPESCU	Inspected by TAMAS	Standardisation MUNTEANV	Date 2016-09-15	State Final Release	
	Department HCS - RO	Title RJ Industrial Cable Assembly				Doc-Key / ECM-Nr. 100155415/UGD/012/G 500000108934	
HARTING Customised Solutions D-32427 Minden		Type TB	Number 094571515XX			Rev. G	Page 1/2

1	2	3	4	5	6	7	8						
A	36	09457151578	RJI Ethernet stranded cable, AWG 26/7, 4x2x0.5/1.0, Cat. 6A, PUR, yellow	Ø6.7	100	RJI Ethernet stranded cable, 4x2xAWG 26/7, PVC, outdoor, Cat. 6A, black	Ø6.6	20					
	35	09457151577			40			15					
	34	09457151576			30			10					
	33	09457151575			25			9					
	32	09457151574			20			8					
	31	09457151573			15			7					
	30	09457151572			10			6					
	B	29			09457151571			9	5				
		28			09457151570			8	4				
		27			09457151569			7	3				
		26			09457151568			6	2				
		25			09457151567			5	1.5				
		24			09457151566			4	1				
		23			09457151565			3	0.5				
	C	22			09457151564			2	20	D	RJI Ethernet stranded cable, AWG 26/7, 4x2x0.5/1.0, Cat. 6A, PVC, yellow	Ø6.6	15
		21			09457151563			1.5	10				
		20			09457151562			1	9				
		19			09457151561			0.5	8				
		D			18			09457151553	20				30
17			09457151552	15	9								
16			09457151551	10	8								
15			09457151532	9	7								
14			09457151531	8	6								
13			09457151530	7	5								
12	09457151529		6	4.4									
11	09457151528		5	4									
10	09457151527		4.4	4									
E	9		09457151535	4	3.4								
	8	09457151526	4	3									
	7	09457151534	3.4	2.2									
	6	09457151525	3	2									
	5	09457151533	2.2	1.5									
	4	09457151524	2	1									
	3	09457151523	1.5	0.5									
F	2	09457151522	1	Cont. no.	Part-no.	Type of cable	Dim. d [mm]	Dim. a[m]					
	1	09457151521	0.5										
	Cont. no.	Part-no.	Type of cable						Dim. d [mm]	Dim. a[m]			

50	09457151594	RJI Ethernet stranded cable, 4x2xAWG 26/7, PVC, outdoor, Cat. 6A, black	Ø6.6	20
49	09457151593			15
48	09457151592			10
47	09457151591			9
46	09457151590			8
45	09457151589			7
44	09457151588			6
43	09457151587			5
42	09457151586			4
41	09457151585			3
40	09457151584			2
39	09457151583			1.5
38	09457151582			1
37	09457151581			0.5
Cont. no.	Part-no.			Type of cable

	All rights reserved	Created by POPESCU	Inspected by TAMAS	Standardisation MUNTEANV	Date 2016-09-15	State Final Release	
	Department HCS - RO	Title RJ Industrial Cable Assembly				Doc-Key / ECM-Nr. 100155415/UGD/012/G 500000108934	
HARTING Customised Solutions D-32427 Minden		Type TB	Number 094571515XX			Rev. G	Page 2/2