

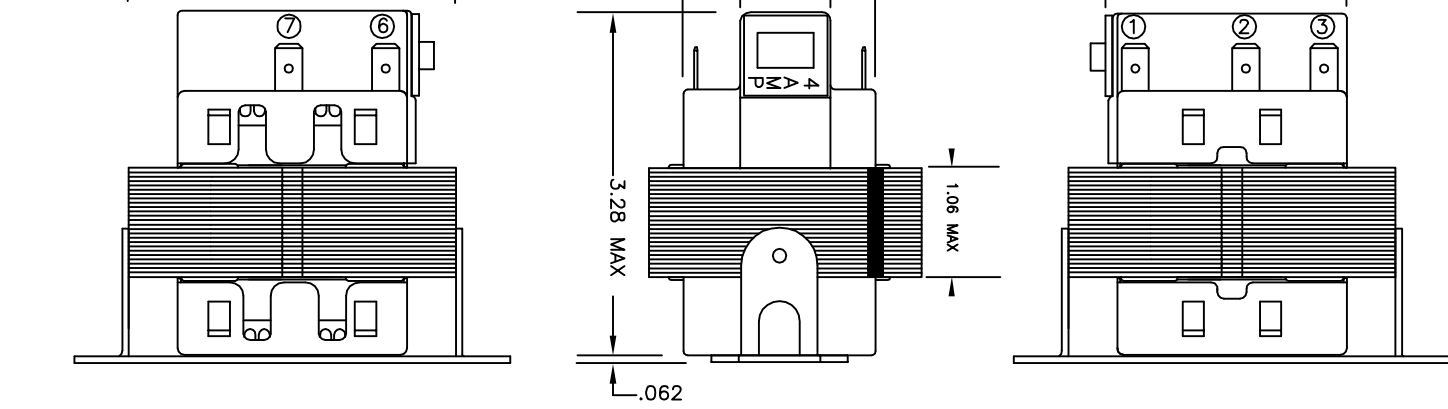
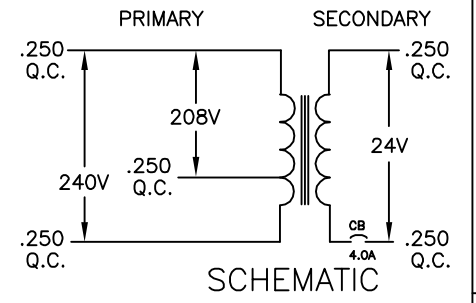
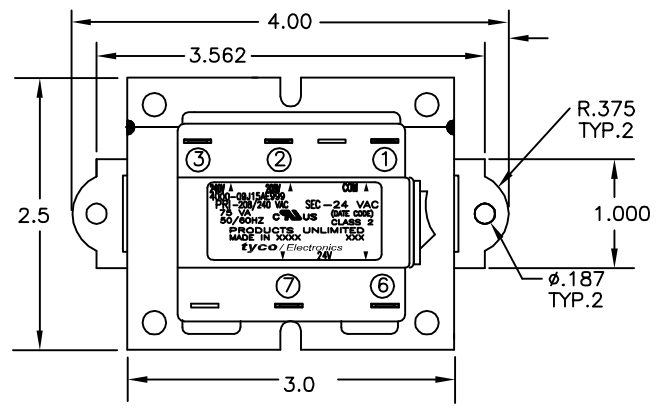
THIS DRAWING IS UNPUBLISHED. RELEASED FOR PUBLICATION
 © COPYRIGHT BY TYCO ELECTRONICS CORPORATION. ALL RIGHTS RESERVED.

LOC	DIST	REVISIONS		
GZ	00	P	LTR	DESCRIPTION
		B		EC 0611-0299-03
			DATE	DWN
			16JUN03	MD
				APVD
				WS

PRIMARY				
TERMINAL	1	2	3	4
VOLTAGE	COM	208	240	
TERMINAL WIDTH	.250	.250	.250	
TERMINAL THICKNESS	.032	.032	.032	

- NOTES
1. DIMENSIONS FOR REFERENCE ONLY.
 2. WINDING PROTECTION- 4.0 AMP CIRCUIT BREAKER IN SECONDARY NON-INHERENTLY LIMITING

CERTIFICATION:			
UL & CUL FILE NO. E87824			
SECONDARY			
TERMINAL	6	7	8
VOLTAGE	24	VAC	
TERMINAL WIDTH	.250	.250	
TERMINAL THICKNESS	.032	.032	



TYCO PART NUMBER
7-1611468-5

THIS DRAWING IS A CONTROLLED DOCUMENT.		DWN	10FEB1997	
DIMENSIONS: INCHES		CHK	K.H.	
TOLERANCES UNLESS OTHERWISE SPECIFIED:		APVD	-	
0 PLC	± -	PRODUCT SPEC	-	
1 PLC	± -	APPLICATION SPEC	-	
2 PLC	± -	WEIGHT	-	
3 PLC	± -	CUSTOMER DRAWING	-	
4 PLC	± -	SCALE	NONE	
ANGLES	± -	SHEET	1 OF 1	
MATERIAL	FINISH	REV	B	

Products Tyco Electronics Corporation
Harrisburg, PA 17105-3608

TRANSFORMER OUTLINE

SIZE A3 CAGE CODE 00779 DRAWING NO C-4000-09J15AE999 RESTRICTED TO -