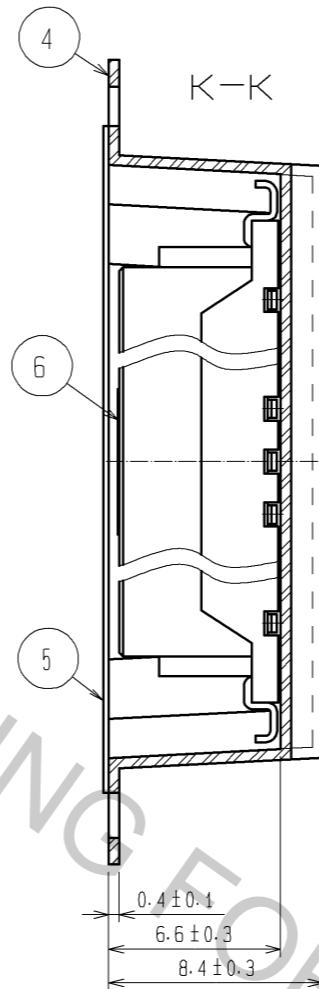
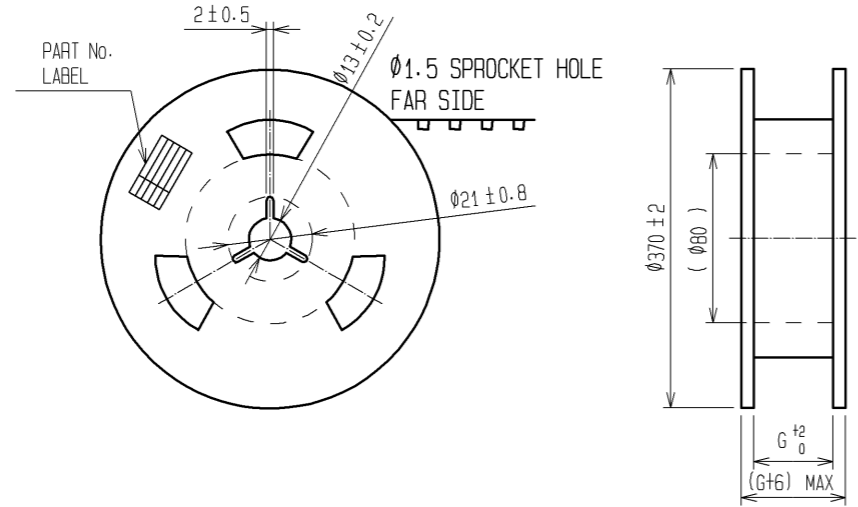
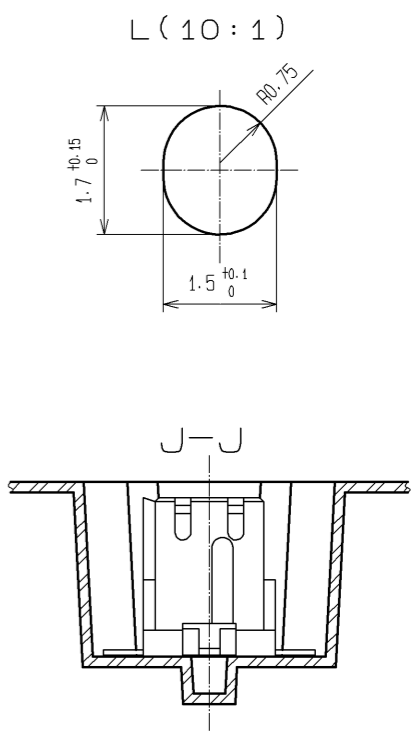
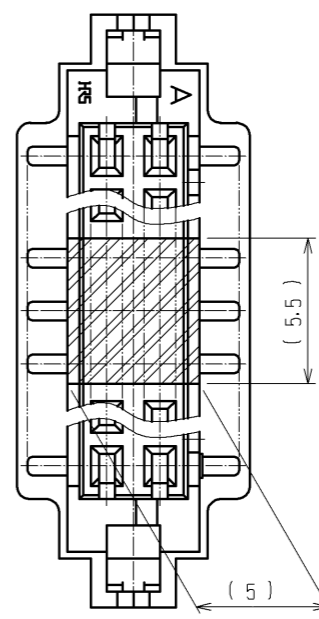


STYLE AND DIMENSION OF REEL



POSITION IN WHICH HEAT-RESISTANCE TAPE IS PUT



- NOTES
- 3 : 1 REEL : 500 CONNECTORS.
 - 4 : AT THE BEGINNING OF THE REEL, 15 COMPONENTS SHALL BE EMPTY.
AT THE END OF THE REEL, 10 COMPONENTS SHALL BE EMPTY.
 - 5 : DETAIL OF PART No. LABEL IS WRITTEN IN JAPANESE.
 - 6 : THE REEL IS POLYETHYLENE PACKAGED WITH AN DRY AGENT INSIDE FOR MOISTURE-PROOF PACKAGING.
 - 7 : FOR THE STORAGE OF 168 HOURS OR MORE AFTER OPENING THE PACKAGE, KEEP THE PRODUCTS UNDER MOISTURE PROOF CONDITIONS.
 - 8 : EXCEPT ON THE MATING SURFACE, COMPONENT INFLATION DOES NOT AFFECT THE PRODUCTS PERFORMANCE.

SUPPLIER
QUANTITY
PART No.
CODE No.
DATE OF MANUFACTURED

5: DETAIL OF PART No. LABEL

生産月日	年 月 日
図番	CL543-****-*-52
品名	DF11CZ-*DS-2V(52)
納入数量	500KO
納入者	ヒロセ電機株式会社

CODE No.	PART No.	NUMBER OF CONTACT	D	E	F	G	H
CL0543-2063-0-52	DF11CZ-4DS-2V(52)	4	11.5	-	24	24.4	PS
CL0543-2064-3-52	DF11CZ-6DS-2V(52)	6	11.5	-	24	24.4	PS
CL0543-2065-6-52	DF11CZ-8DS-2V(52)	8	11.5	-	24	24.4	PS
CL0543-2066-9-52	DF11CZ-10DS-2V(52)	10	14.2	28.4	32	32.4	PS
CL0543-2067-1-52	DF11CZ-12DS-2V(52)	12	14.2	28.4	32	32.4	PS
CL0543-2068-4-52	DF11CZ-14DS-2V(52)	14	20.2	40.4	44	44.4	PS
CL0543-2069-7-52	DF11CZ-16DS-2V(52)	16	20.2	40.4	44	44.4	PS
CL0543-2070-6-52	DF11CZ-18DS-2V(52)	18	20.2	40.4	44	44.4	PS
CL0543-2071-9-52	DF11CZ-20DS-2V(52)	20	26.2	52.4	56	56.4	PS
CL0543-2072-1-52	DF11CZ-22DS-2V(52)	22	20.2	40.4	44	44.4	PS
CL0543-2073-4-52	DF11CZ-24DS-2V(52)	24	26.2	52.4	56	56.4	A-PET
CL0543-2074-7-52	DF11CZ-26DS-2V(52)	26	26.2	52.4	56	56.4	PS
CL0543-2075-0-52	DF11CZ-28DS-2V(52)	28	26.2	52.4	56	56.4	PS
CL0543-2076-2-52	DF11CZ-30DS-2V(52)	30	26.2	52.4	56	56.4	PS
CL0543-2078-8-52	DF11CZ-40DS-2V(52)	40	34.2	68.4	72	72.4	PS

HRS	DRAWING NO.	EDC3-328653-00
	PART NO.	DF11CZ-*DS-2V(52)
	CODE NO.	CL543-

△ 2/2