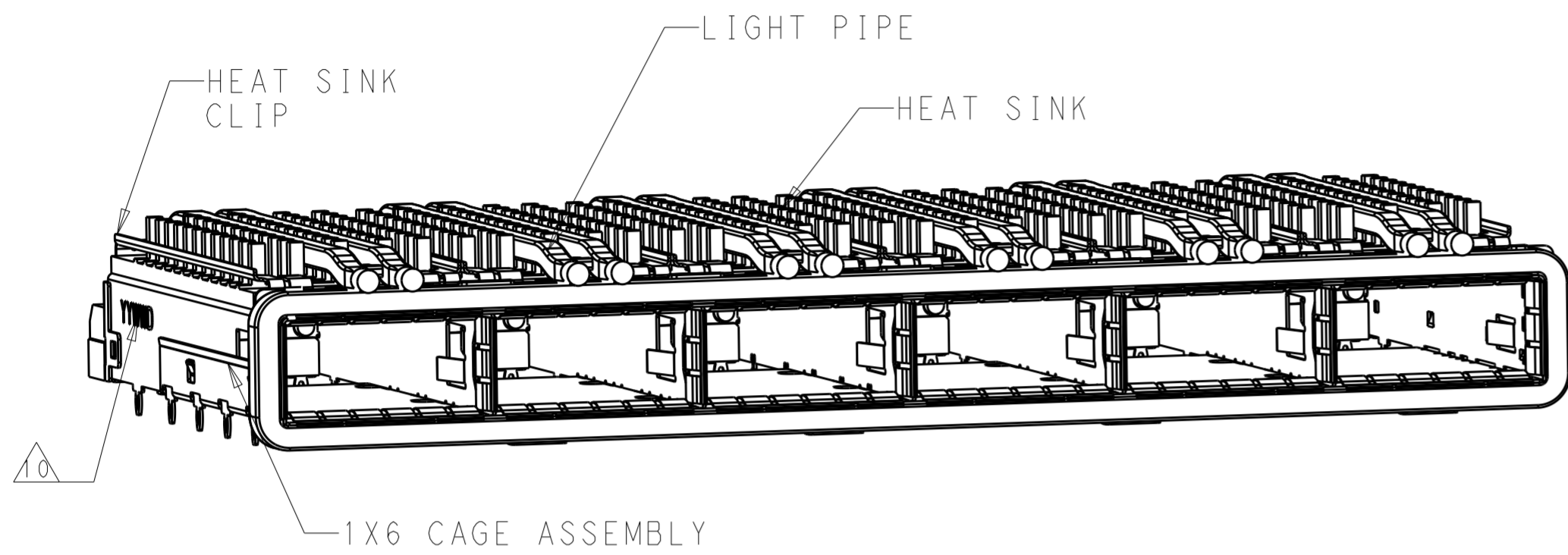


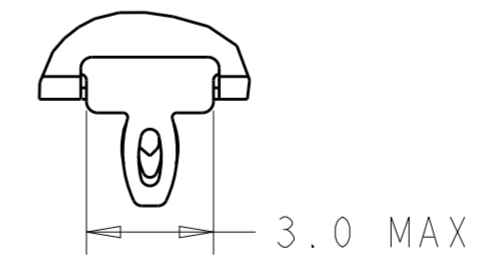
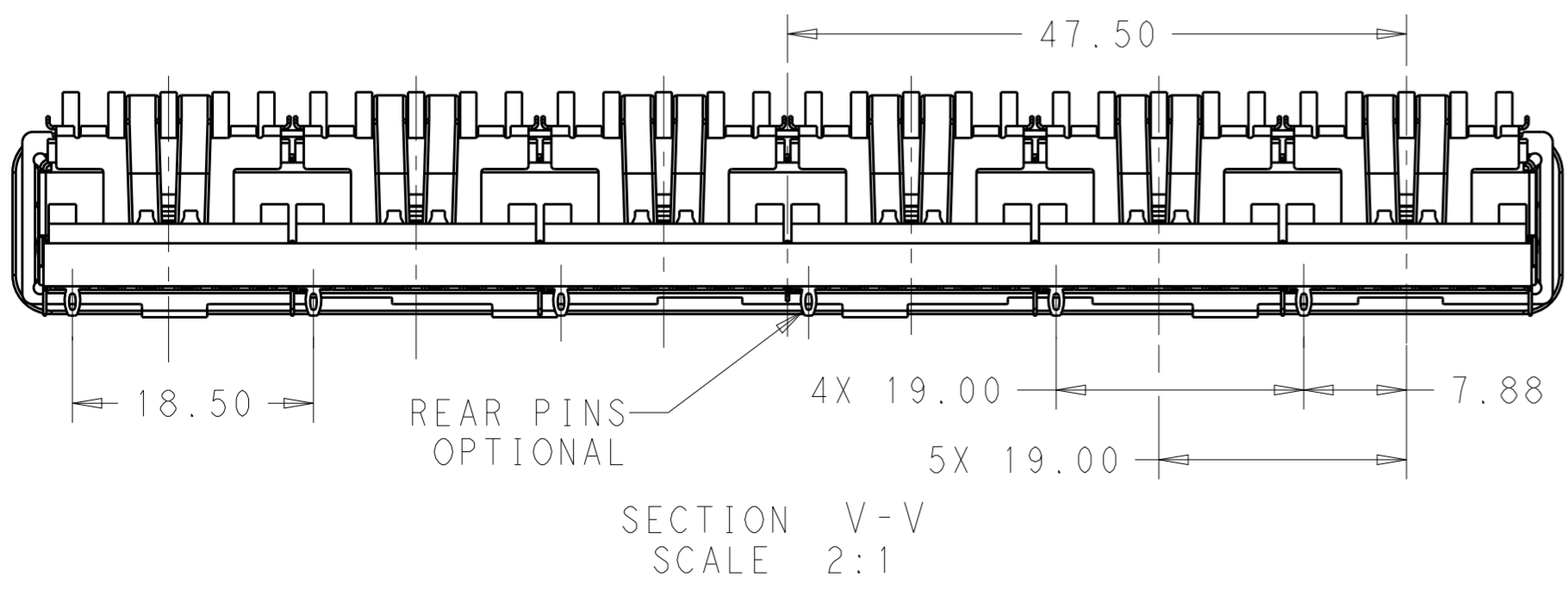
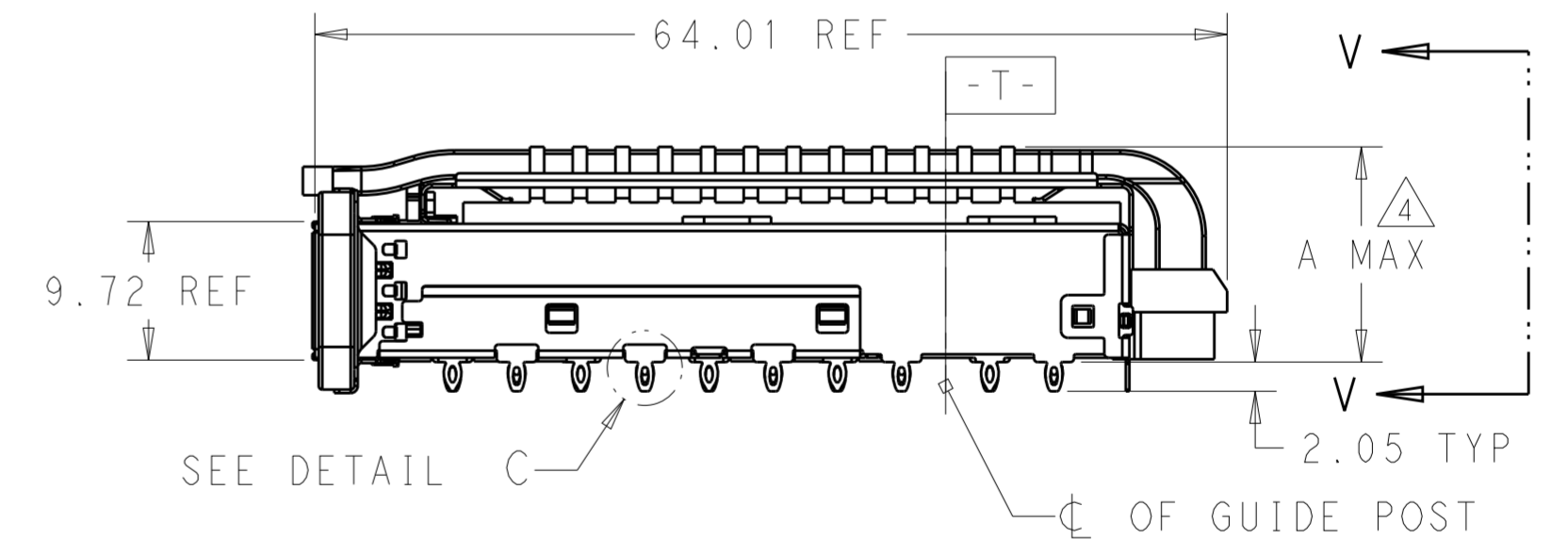
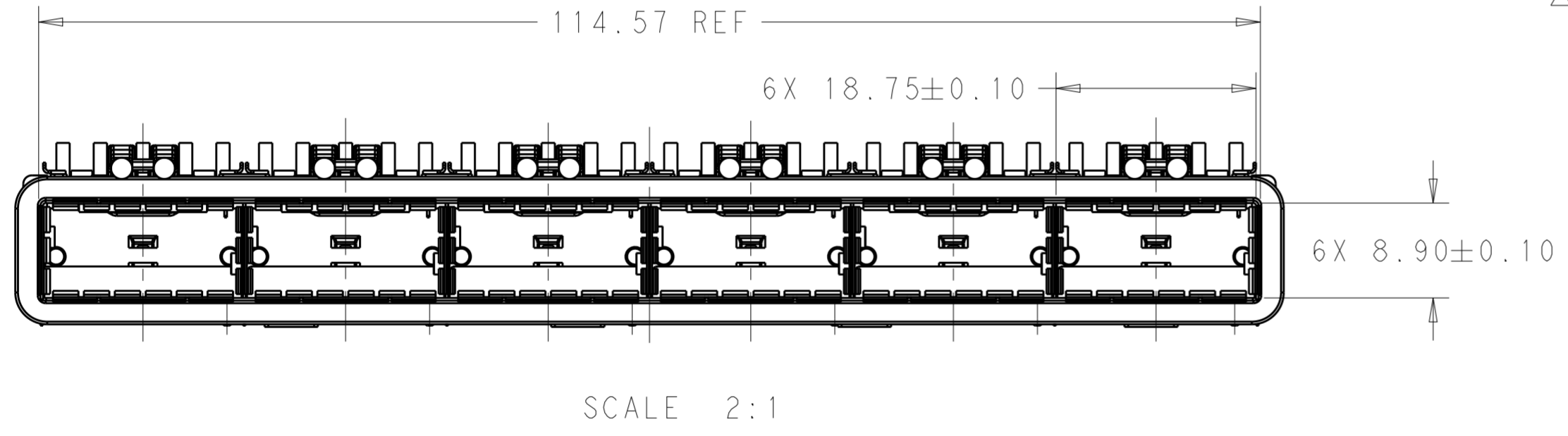
THIS DRAWING IS UNPUBLISHED. RELEASED FOR PUBLICATION 20  
 © COPYRIGHT 20 BY - ALL RIGHTS RESERVED.

REVISIONS				
P	LTR	DESCRIPTION	DATE	APVD
1		PRELIMINARY	24OCT2013	JY

# 2-2170724-2 AS SHOWN



- COMPONENTS  
 CAGE ASSEMBLY: NICKEL-SILVER ALLOY  
 HEAT SINK: ALUMINUM/BLACK ANODIZE  
 HEAT SINK CLIP: STAINLESS STEEL  
 EMI SPRING: COPPER ALLOY/NICKEL PLATE  
 LIGHT PIPE: CLEAR POLYCARBONATE WITH 94 V-0  
 EMI GASKET: PLATED FILLED SILICONE WITH 94 V-0
- $\triangle 2$  REFERENCE APPLICATION SPECIFICATION 114-\*\*\*\*\* FOR RECOMMENDED DRILL HOLE DIAMETER AND PLATING THICKNESS
- $\triangle 3$  DATUM AND BASIC DIMENSION ESTABLISHED BY CUSTOMER
- $\triangle 4$  DIMENSION APPLIES WITH MODULE INSERTED IN CAGE
- HEAT SINKS, HEAT SINK CLIPS AND LIGHT PIPES ARE SHIPPED ASSEMBLED ON CAGE
- MINIMUM PC BOARD THICKNESS: SINGLE SIDED: 1.57 MIN  
DOUBLE SIDED: 3.00 MIN
- DATUM  $\square -A-$  IS TOP SURFACE OF THE HOST BOARD.
- $\triangle 8$  THESE HOLES ARE OPTIONAL WHEN THE REAR PINS ARE REMOVED.
- MATES WITH QSFP28 MSA COMPATIBLE TRANSCEIVER.
- $\triangle 10$  DATE CODE (YYWWD) MARKED APPROXIMATELY AS SHOWN.
- $\triangle 11$  NOTED DIMENSIONS ONLY APPLY TO CAGE ASSEMBLY WITH LIGHT PIPE.



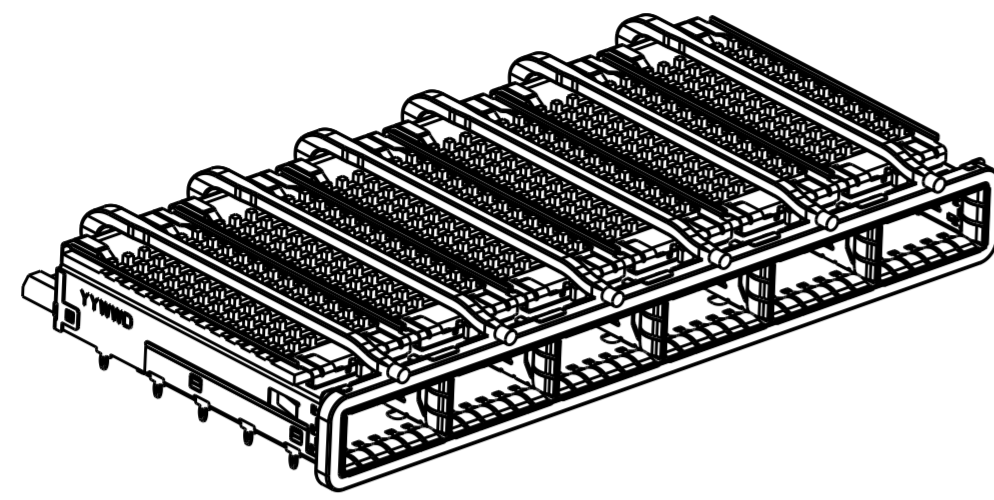
DETAIL C  
SCALE 6:1

PRELIMINARY PART- NOT RELEASED FOR PRODUCTION

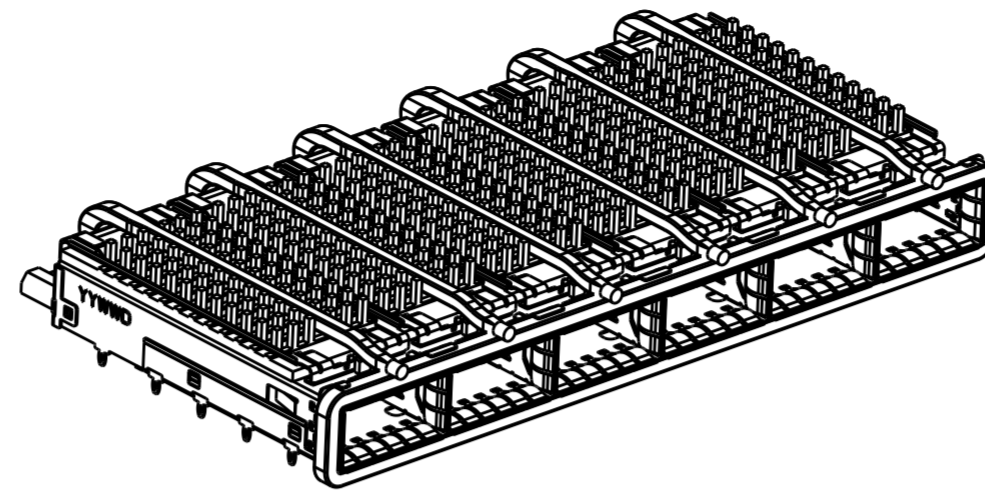
THIS DRAWING IS A CONTROLLED DOCUMENT.		DWN JASON YANG	24OCT2013	<b>STE</b> TE Connectivity	
DIMENSIONS: mm		CHK	APVD		
TOLERANCES UNLESS OTHERWISE SPECIFIED:		NAME		CAGE ASSEMBLY, 1X6, QSFP28 WITH HEAT SINKS AND LIGHT PIPES, THRU BEZEL, GASKET	
0 PLC ±		PRODUCT SPEC		SIZE	
1 PLC ±0.25		APPLICATION SPEC		CAGE CODE	
2 PLC ±0.2		WEIGHT		DRAWING NO	
3 PLC ±		Customer Drawing		A200779	
4 PLC ±		SCALE		3:1	
ANGLES ±		SHEET		1 OF 9	
FINISH		REV		1	
SEE NOTES		RESTRICTED TO		-	

REVISIONS					
P	LTR	DESCRIPTION	DATE	DWN	APVD
-		SEE SHEET 1			

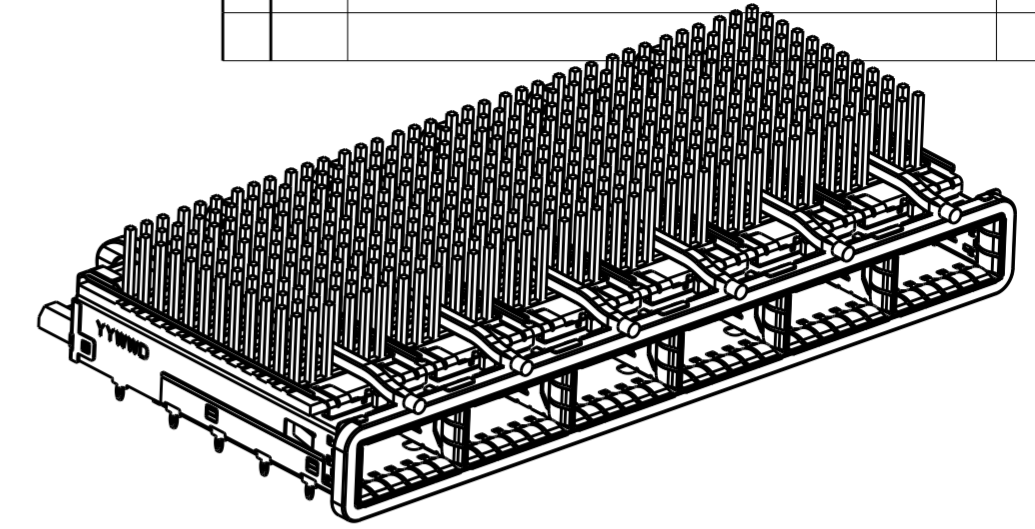
# HEAT SINK OPTION



PCI HEAT SINK  
SCALE 1:1

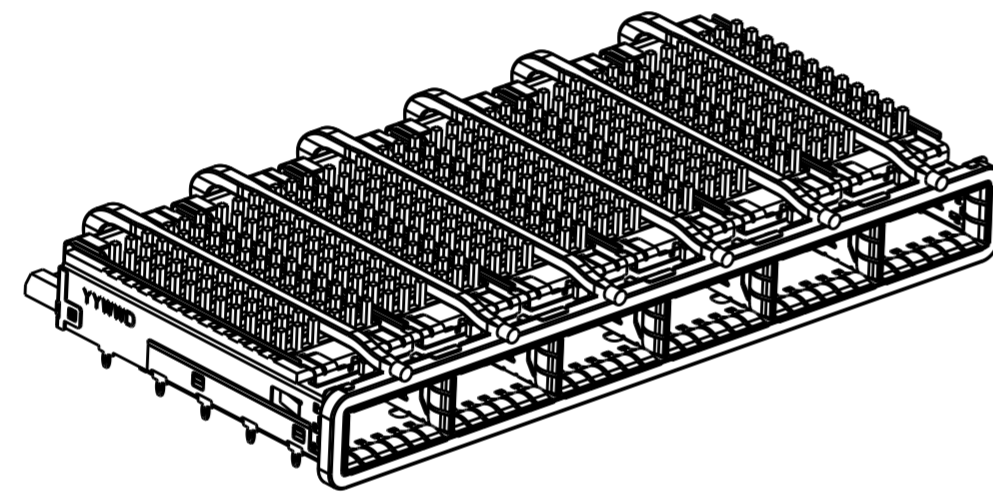


SAN HEAT SINK  
SCALE 1:1

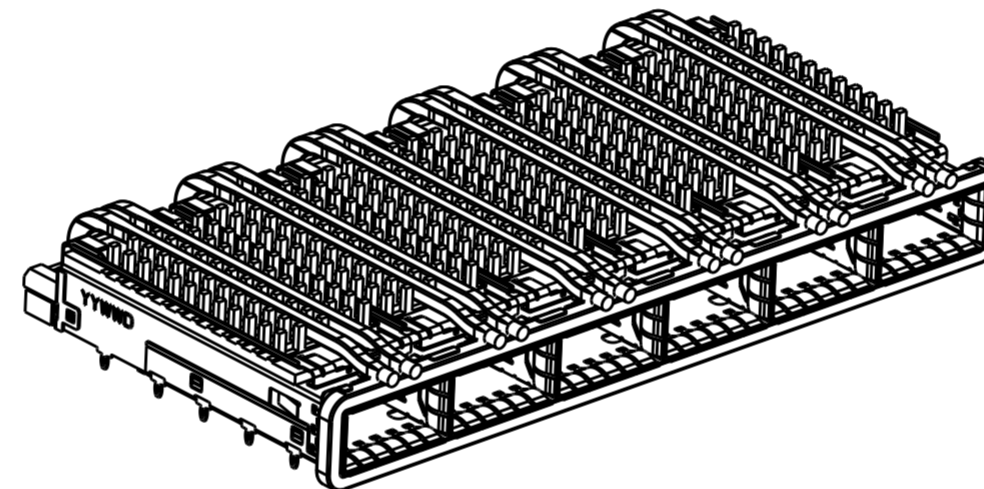


NETWORKING HEAT SINK  
SCALE 1:1

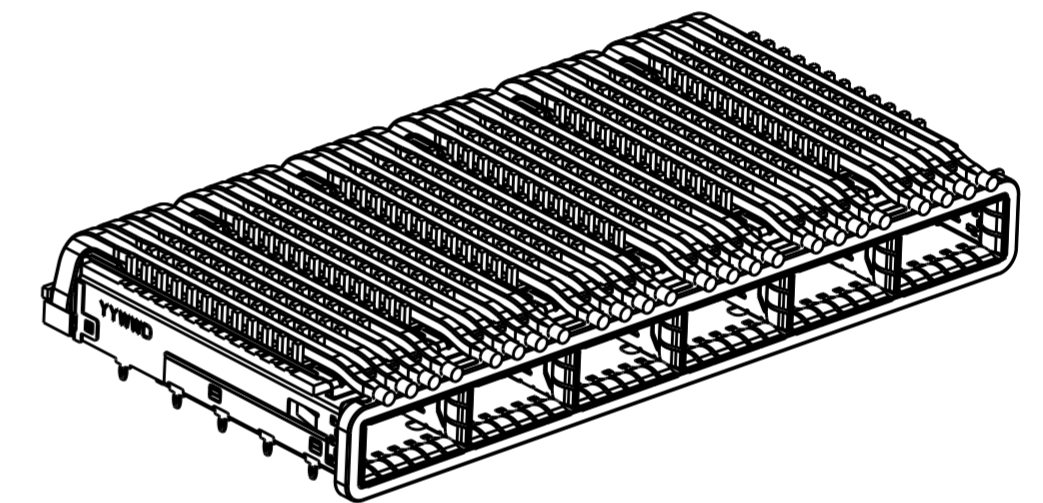
# LIGHT PIPE OPTION



SINGLE LIGHT PIPE  
SCALE 1:1

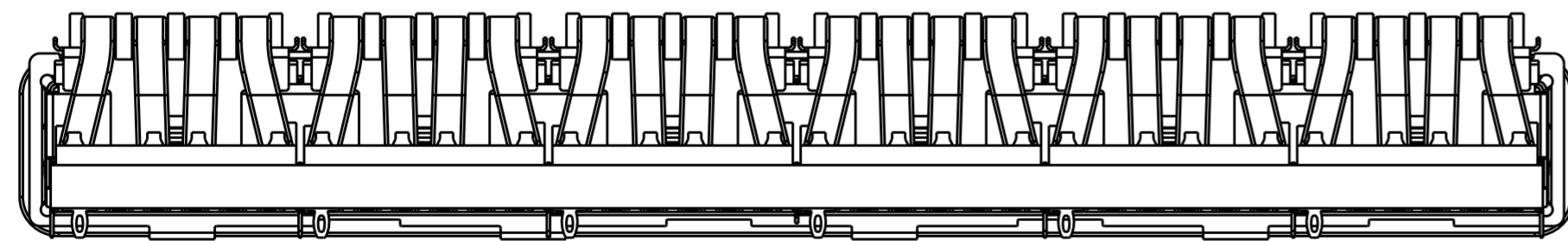


DUAL LIGHT PIPE  
SCALE 1:1

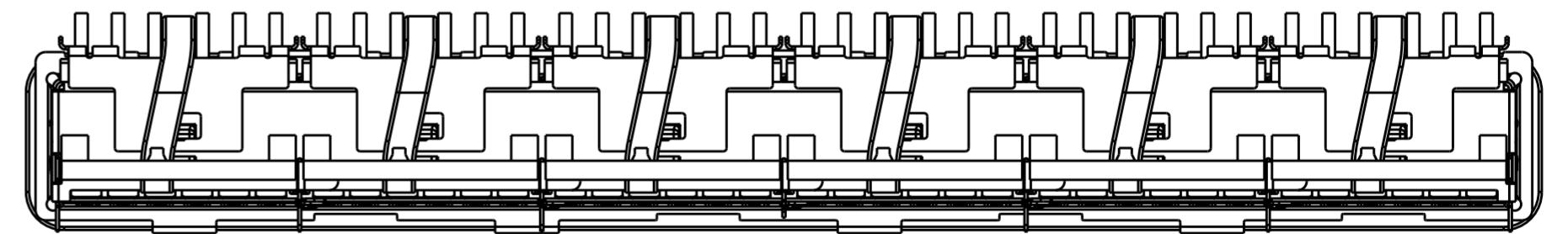


QUAD LIGHT PIPE  
SCALE 1:1


# # OF REAR PIN OPTION



1 REAR PIN  
SCALE 2:1



0 REAR PIN  
SCALE 2:1

THIS DRAWING IS A CONTROLLED DOCUMENT.		DWN 24OCT2013 JASON YANG	 TE Connectivity	
DIMENSIONS: mm		CHK -		
TOLERANCES UNLESS OTHERWISE SPECIFIED:		PRODUCT SPEC -	NAME CAGE ASSEMBLY, 1X6, QSFP28 WITH HEAT SINKS AND LIGHT PIPES, THRU BEZEL, GASKET	
0 PLC ±- 1 PLC ±0.25 2 PLC ±0.2 3 PLC ±- 4 PLC ±- ANGLES ±- FINISH ±-		APPLICATION SPEC -	SIZE A2	CAGE CODE 00779
MATERIAL SEE NOTES	SEE NOTES	WEIGHT -	DRAWING NO C-2170724	RESTRICTED TO -
		Customer Drawing	SCALE 3:1	SHEET 2 OF 9 REV 1

THIS DRAWING IS UNPUBLISHED. RELEASED FOR PUBLICATION 20  
 © COPYRIGHT 20 BY - ALL RIGHTS RESERVED.

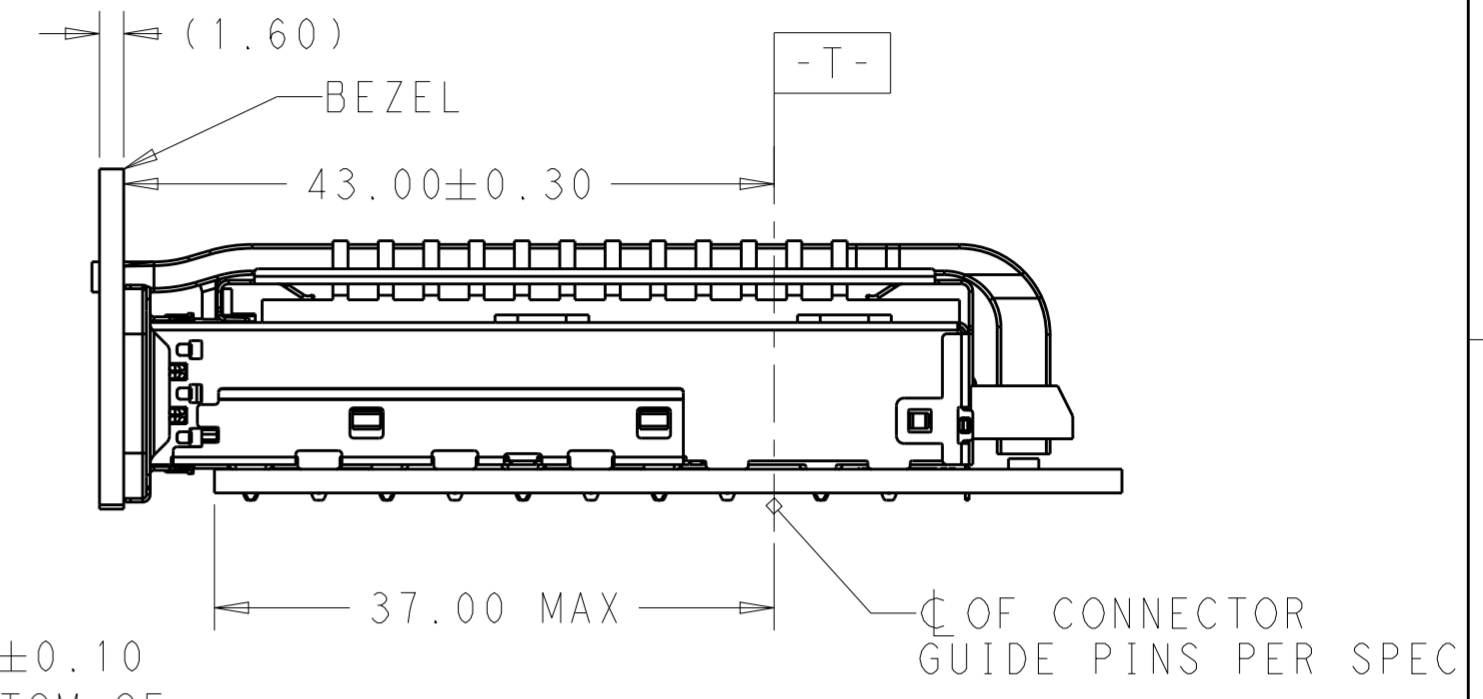
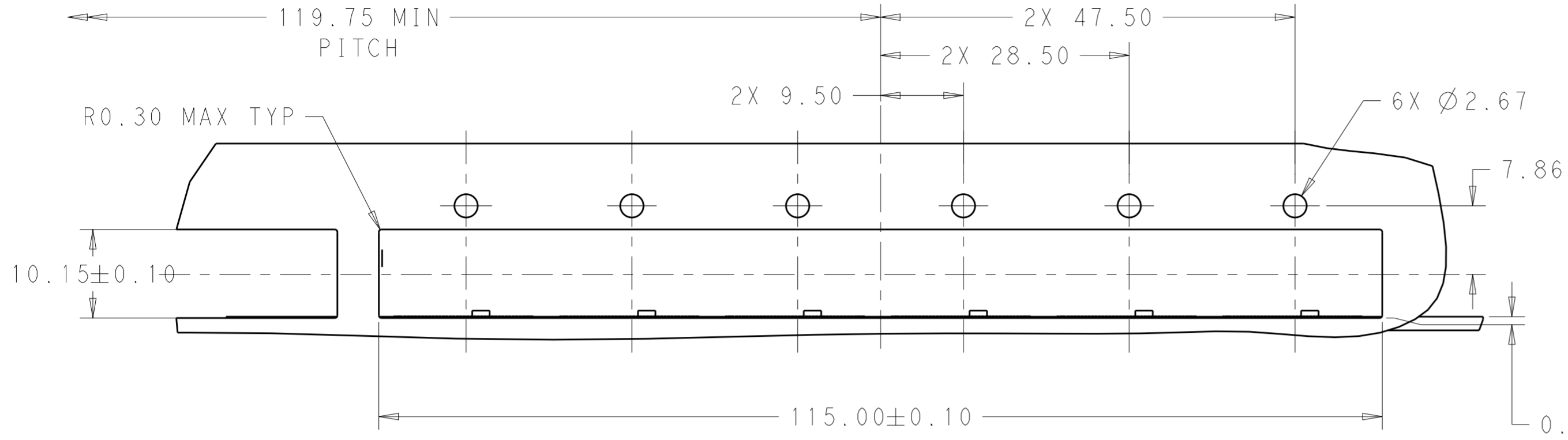
REVISIONS				
P	LTR	DESCRIPTION	DATE	APVD
-		SEE SHEET 1	-	-

0	23.0	NETWORKING	QUAD	4-2170724-6
0	16.0	SAN	QUAD	4-2170724-5
0	13.7	PCI	QUAD	4-2170724-4
1	23.0	NETWORKING	QUAD	4-2170724-3
1	16.0	SAN	QUAD	4-2170724-2
1	13.7	PCI	QUAD	4-2170724-1
0	23.0	NETWORKING	DUAL	2-2170724-6
0	16.0	SAN	DUAL	2-2170724-5
0	13.7	PCI	DUAL	2-2170724-4
1	23.0	NETWORKING	DUAL	2-2170724-3
1	16.0	SAN	DUAL	2-2170724-2
1	13.7	PCI	DUAL	2-2170724-1
0	23.0	NETWORKING	SINGLE	2170724-6
0	16.0	SAN	SINGLE	2170724-5
0	13.7	PCI	SINGLE	2170724-4
1	23.0	NETWORKING	SINGLE	2170724-3
1	16.0	SAN	SINGLE	2170724-2
1	13.7	PCI	SINGLE	2170724-1
# OF REAR PIN	DIM A	APPLICATION	LIGHT PIPE OPTION	PART NUMBER

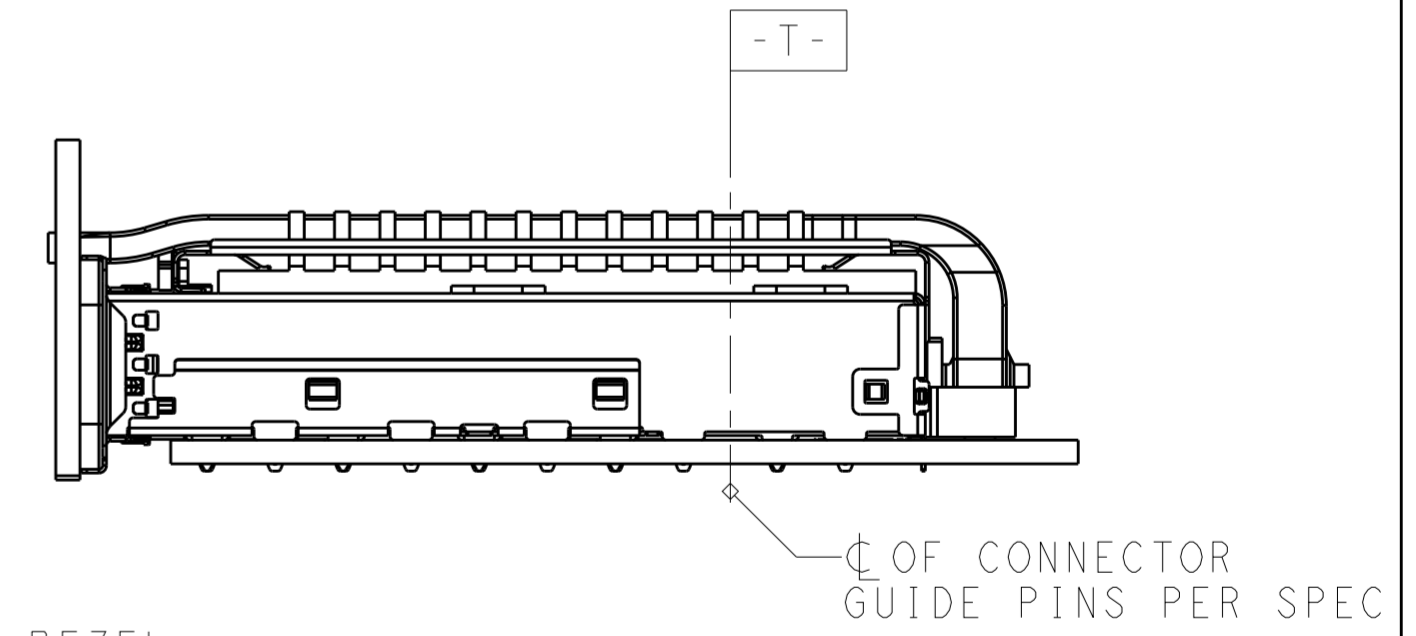
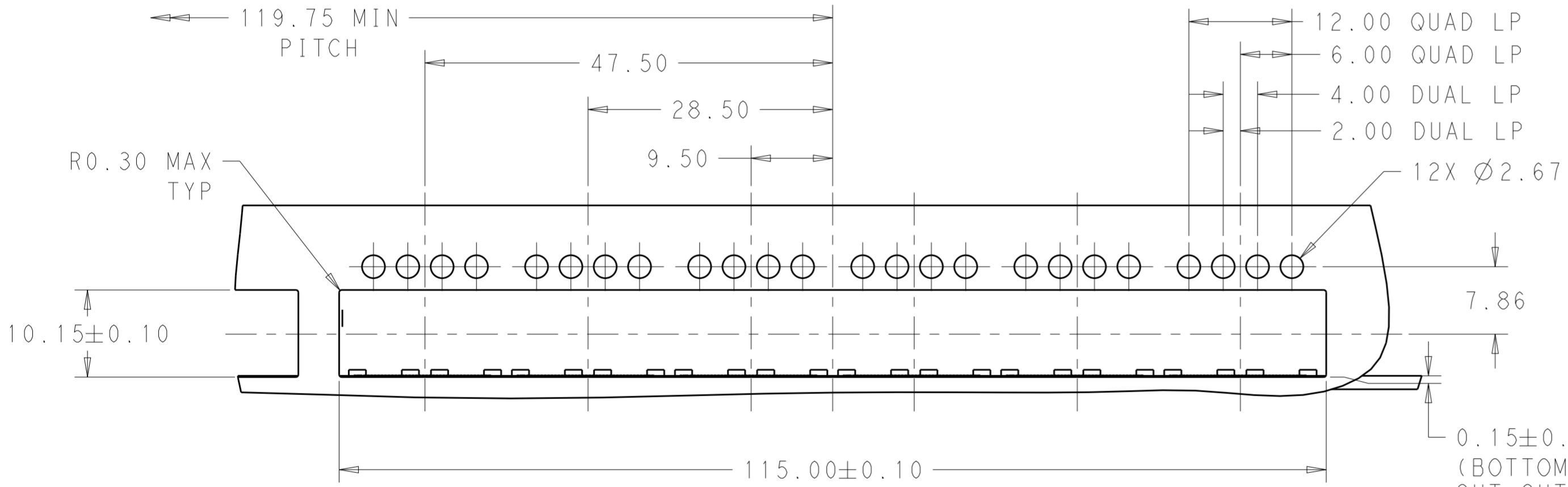
THIS DRAWING IS A CONTROLLED DOCUMENT.		DWN 24OCT2013 JASON YANG	<b>STE</b> TE Connectivity	
DIMENSIONS: mm		CHK - APVD -		
TOLERANCES UNLESS OTHERWISE SPECIFIED: 0 PLC ± 1 PLC ±0.25 2 PLC ±0.2 3 PLC ± 4 PLC ± ANGLES ±		PRODUCT SPEC - APPLICATION SPEC - WEIGHT -	SIZE A200779	DRAWING NO C-2170724
MATERIAL SEE NOTES	FINISH SEE NOTES	Customer Drawing	RESTRICTED TO -	SCALE 3:1 SHEET 3 OF 9 REV 1

THIS DRAWING IS UNPUBLISHED. RELEASED FOR PUBLICATION 20  
 © COPYRIGHT 20 BY - ALL RIGHTS RESERVED.

REVISIONS				
P	LTR	DESCRIPTION	DATE	APVD
-	-	SEE SHEET 1	-	-



SINGLE SIDE MOUNTING  
SCALE 2:1



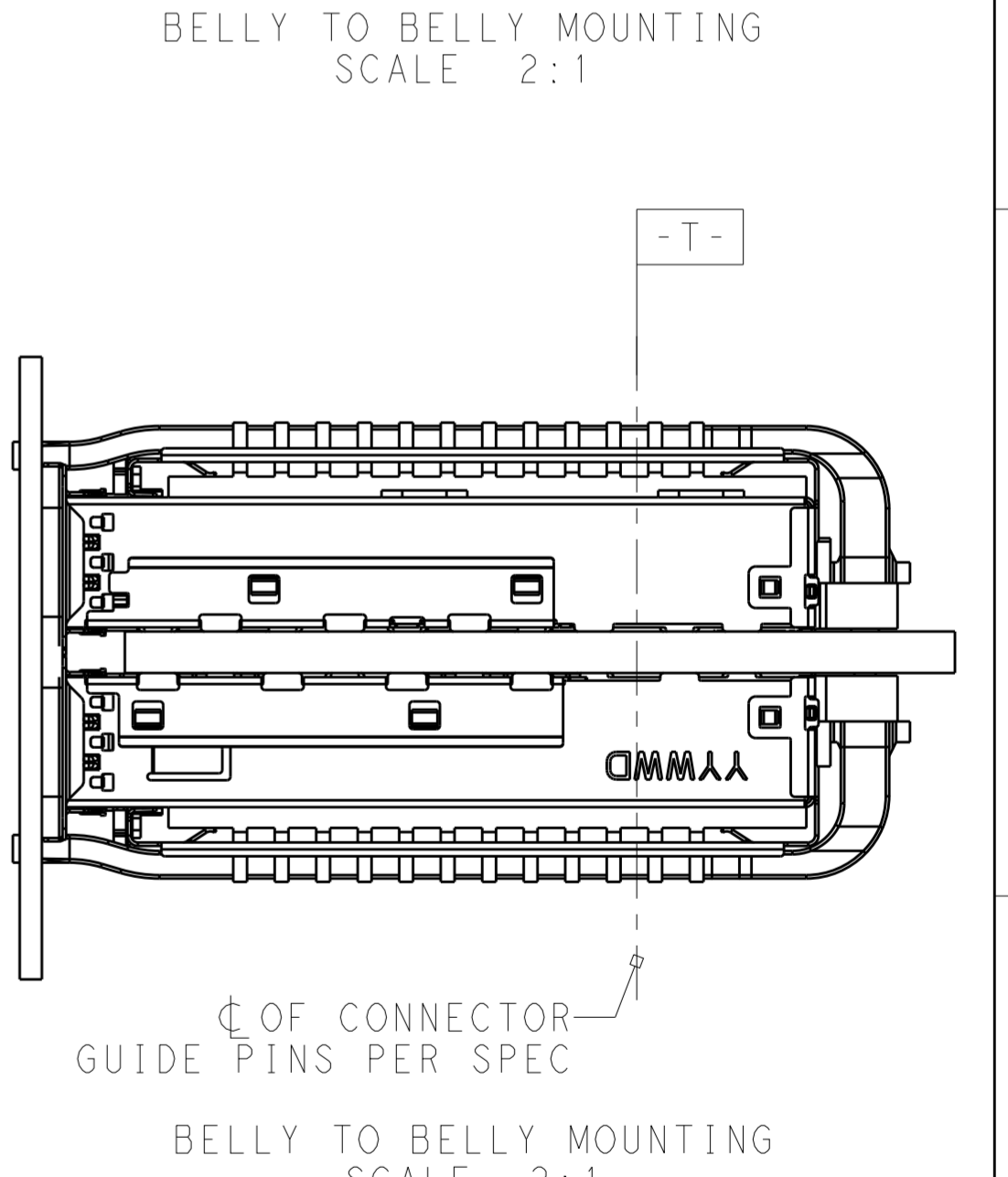
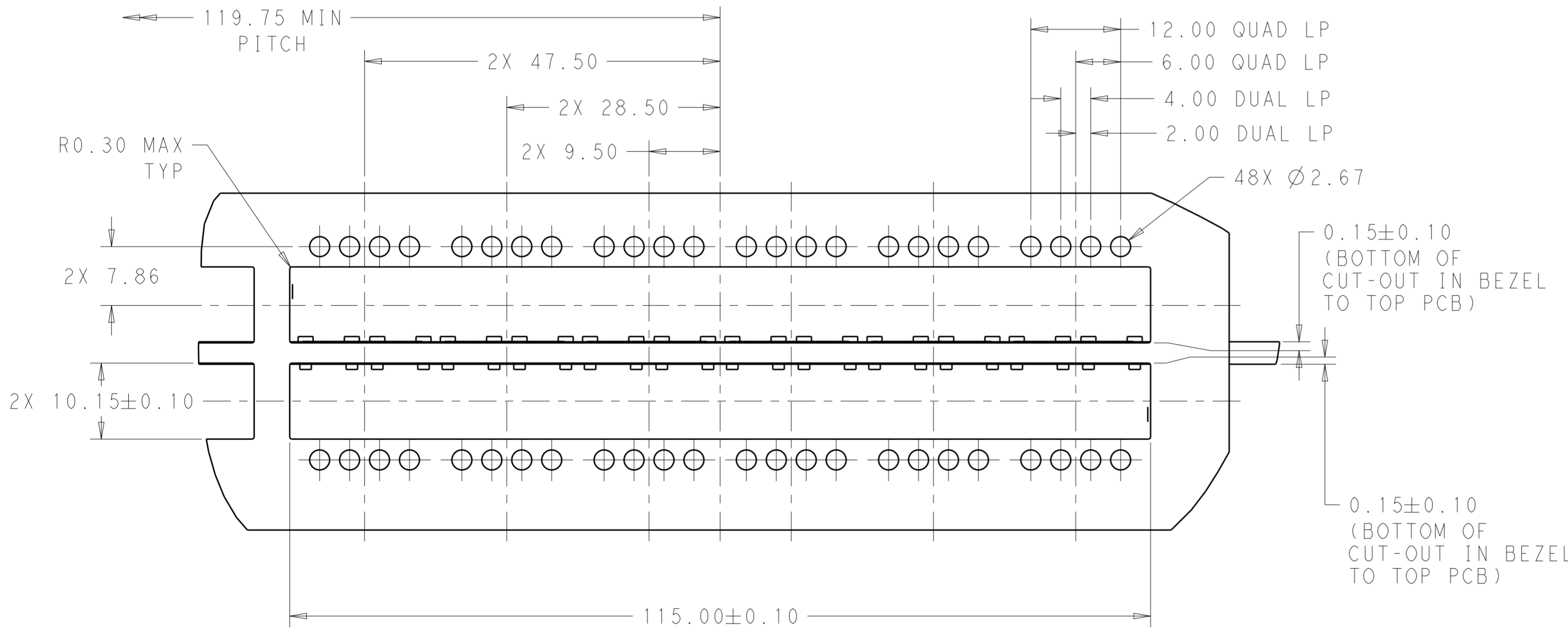
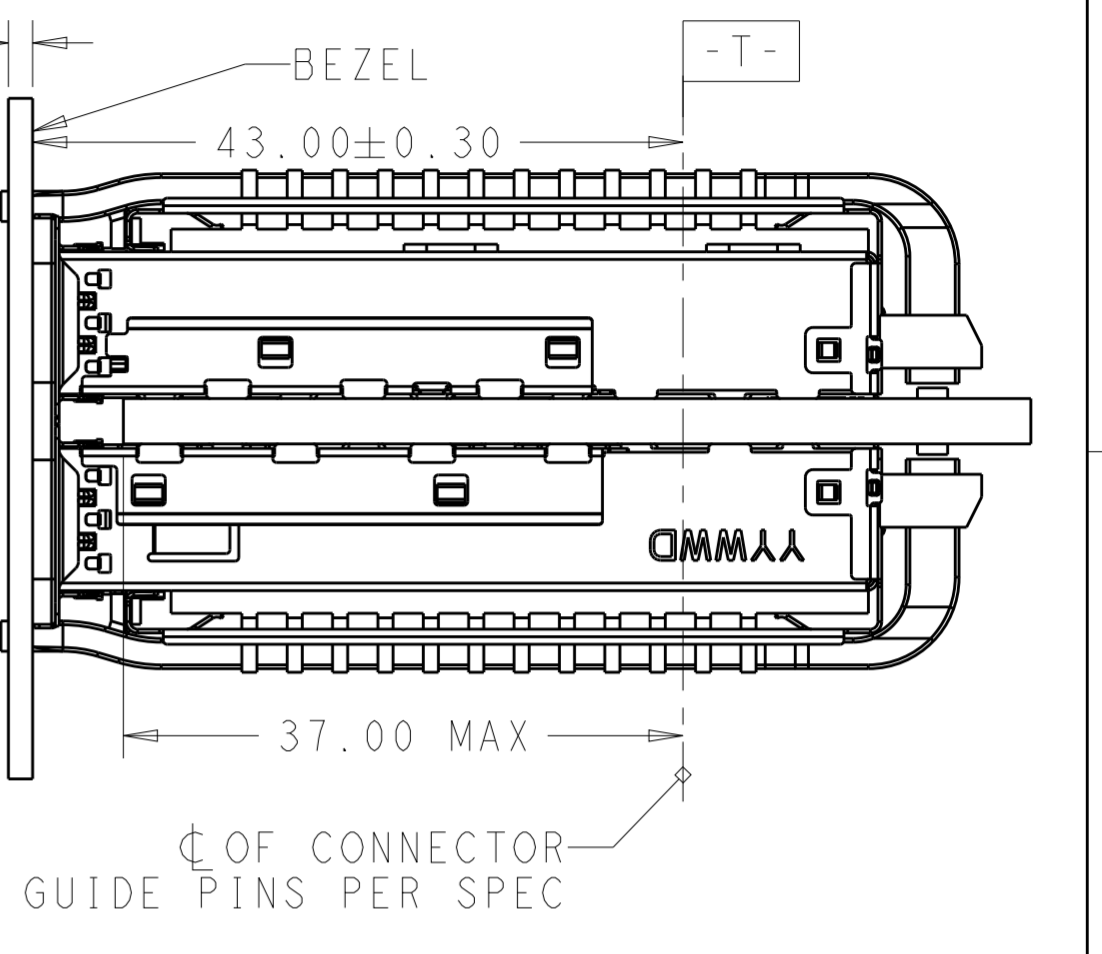
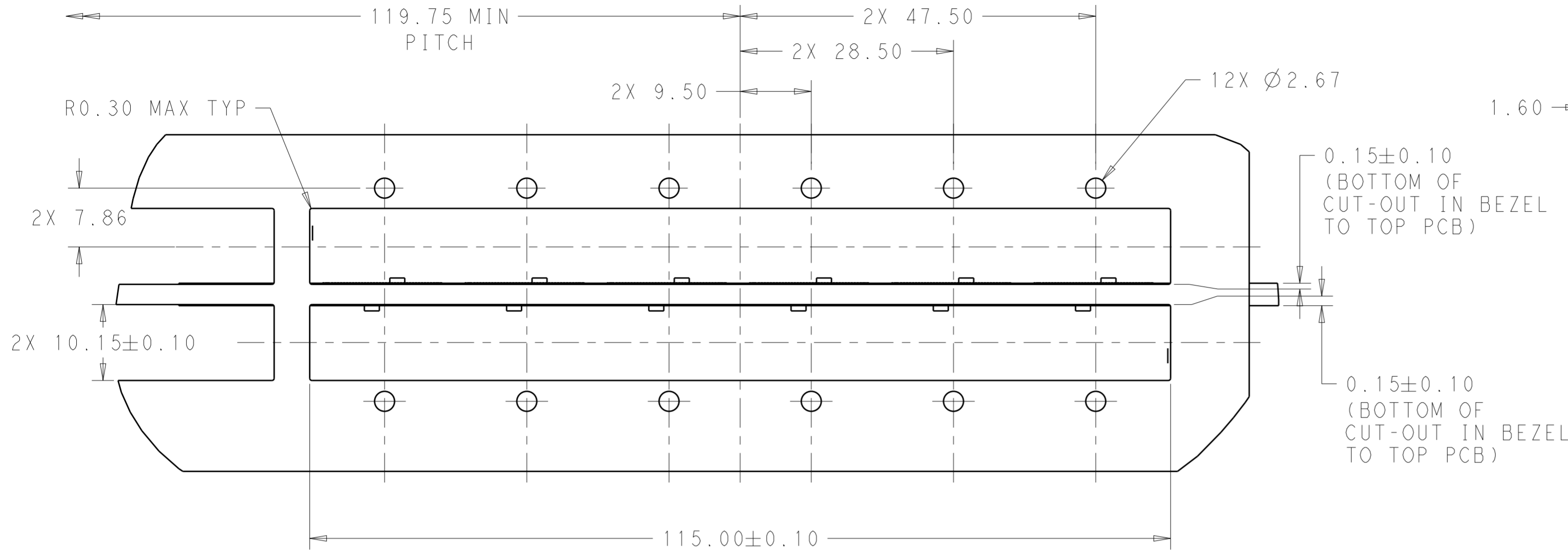
SINGLE SIDE MOUNTING  
SCALE 2:1

PRELIMINARY PART- NOT RELEASED FOR PRODUCTION

THIS DRAWING IS A CONTROLLED DOCUMENT.		DWN 24OCT2013 JASON YANG	TE Connectivity	
DIMENSIONS: mm		CHK -		
TOLERANCES UNLESS OTHERWISE SPECIFIED:		APVD -	PRODUCT SPEC	
0 PLC ±		APVD -	APPLICATION SPEC	
1 PLC ±0.25		WEIGHT -	RESTRICTED TO	
2 PLC ±0.2		Customer Drawing	SCALE 3:1 SHEET 4 OF 9 REV 1	
3 PLC ±				
4 PLC ±				
ANGLES ±				
FINISH				
MATERIAL SEE NOTES				
SEE NOTES				

THIS DRAWING IS UNPUBLISHED. RELEASED FOR PUBLICATION 20  
 © COPYRIGHT 20 BY - ALL RIGHTS RESERVED.

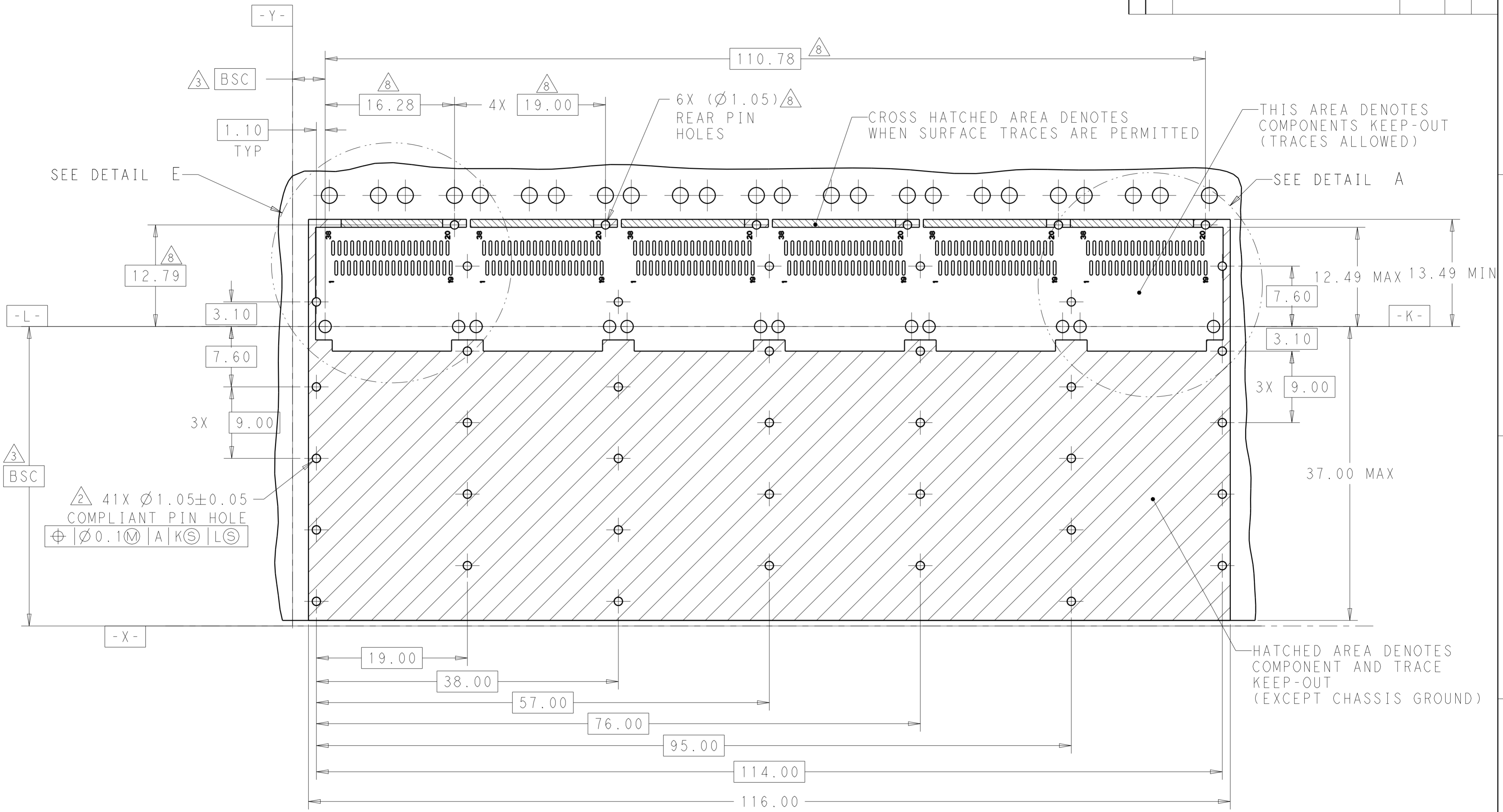
REVISIONS				
P	LTR	DESCRIPTION	DATE	APVD
-	-	SEE SHEET 1	-	-



THIS DRAWING IS A CONTROLLED DOCUMENT.		DWN 24OCT2013 JASON YANG	TE Connectivity	
DIMENSIONS: mm		CHK -		
TOLERANCES UNLESS OTHERWISE SPECIFIED:		APVD -	PRODUCT SPEC	
0 PLC ±	1 PLC ±0.25	APPLICATION SPEC	CAGE ASSEMBLY, 1X6, QSFP28 WITH HEAT SINKS AND LIGHT PIPES, THRU BEZEL, GASKET	
2 PLC ±0.2	3 PLC ±	WEIGHT	SIZE CAGE CODE DRAWING NO RESTRICTED TO	
4 PLC ±	ANGLES ±	Customer Drawing	A200779 C-2170724	
MATERIAL SEE NOTES	FINISH SEE NOTES	SCALE 3:1	SHEET 5 OF 9 REV 1	

THIS DRAWING IS UNPUBLISHED. RELEASED FOR PUBLICATION 20  
 © COPYRIGHT 20 BY - ALL RIGHTS RESERVED.

REVISIONS				
P	LTR	DESCRIPTION	DATE	APVD
-	-	SEE SHEET 1	-	-

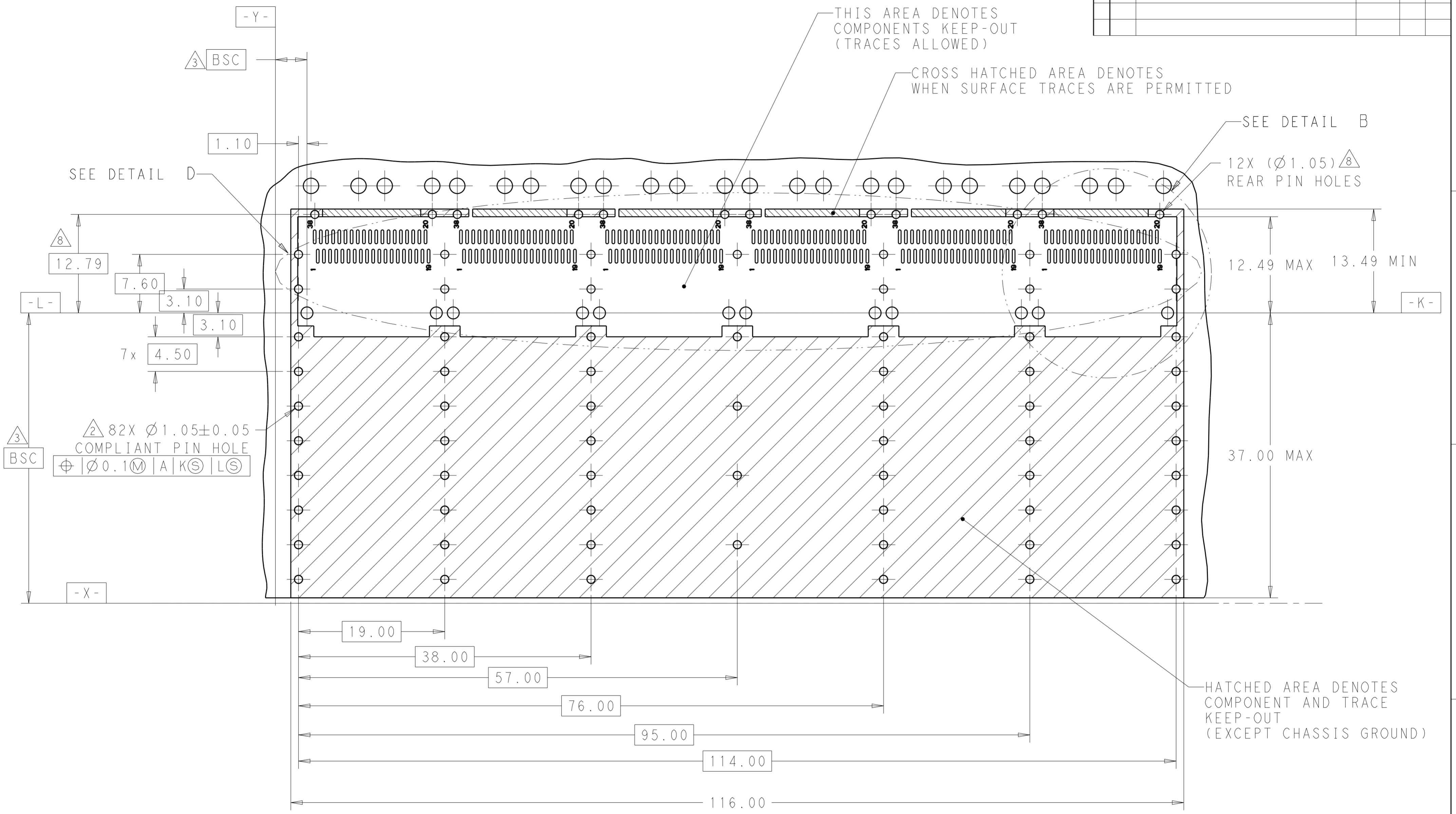


RECOMMENDED PCB LAYOUT  
 SINGLE TYPE  
 PCB TOLERANCE: ±0.05  
 SCALE 3:1

THIS DRAWING IS A CONTROLLED DOCUMENT.		DWN 24OCT2013 JASON YANG	 TE Connectivity
DIMENSIONS: mm		CHK -	
TOLERANCES UNLESS OTHERWISE SPECIFIED:		APVD -	NAME
0 PLC ±	1 PLC ±0.25	PRODUCT SPEC -	CAGE ASSEMBLY, 1X6, QSFP28 WITH HEAT SINKS AND LIGHT PIPES, THRU BEZEL, GASKET
2 PLC ±0.2	3 PLC ±	APPLICATION SPEC -	SIZE CAGE CODE DRAWING NO
4 PLC ±	ANGLES ±	WEIGHT -	A200779 C-2170724
MATERIAL SEE NOTES	FINISH SEE NOTES	Customer Drawing	RESTRICTED TO
		SCALE 3:1	SHEET 6 OF 9 REV 1

THIS DRAWING IS UNPUBLISHED. RELEASED FOR PUBLICATION 20  
 © COPYRIGHT 20 BY - ALL RIGHTS RESERVED.

REVISIONS				
P	LTR	DESCRIPTION	DATE	APVD
-	-	SEE SHEET 1	-	-



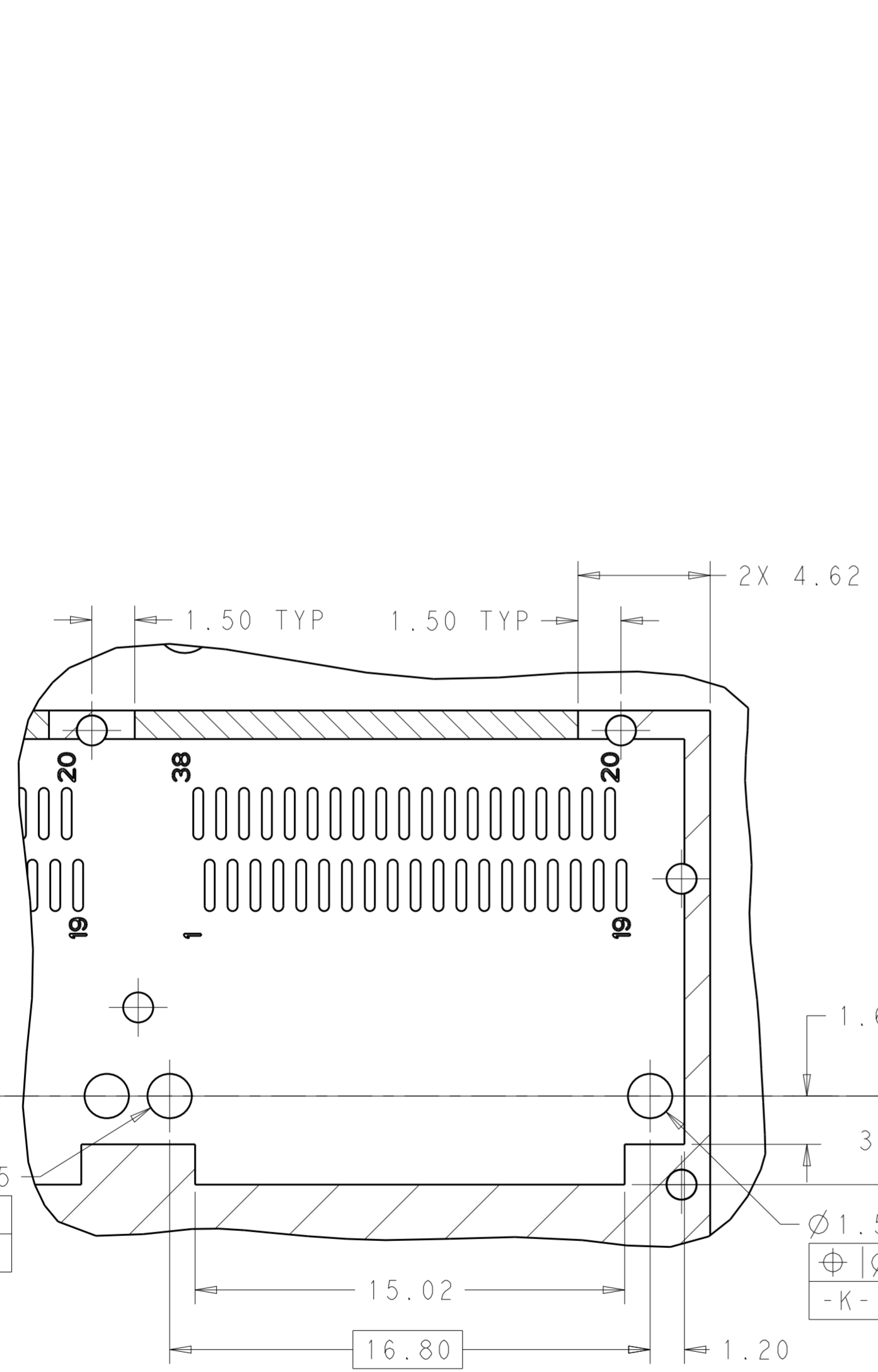
RECOMMENDED PCB LAYOUT  
 BELLY TO BELLY TYPE  
 PCB TOLERANCE: ±0.05  
 SCALE 3:1

PRELIMINARY PART- NOT RELEASED FOR PRODUCTION

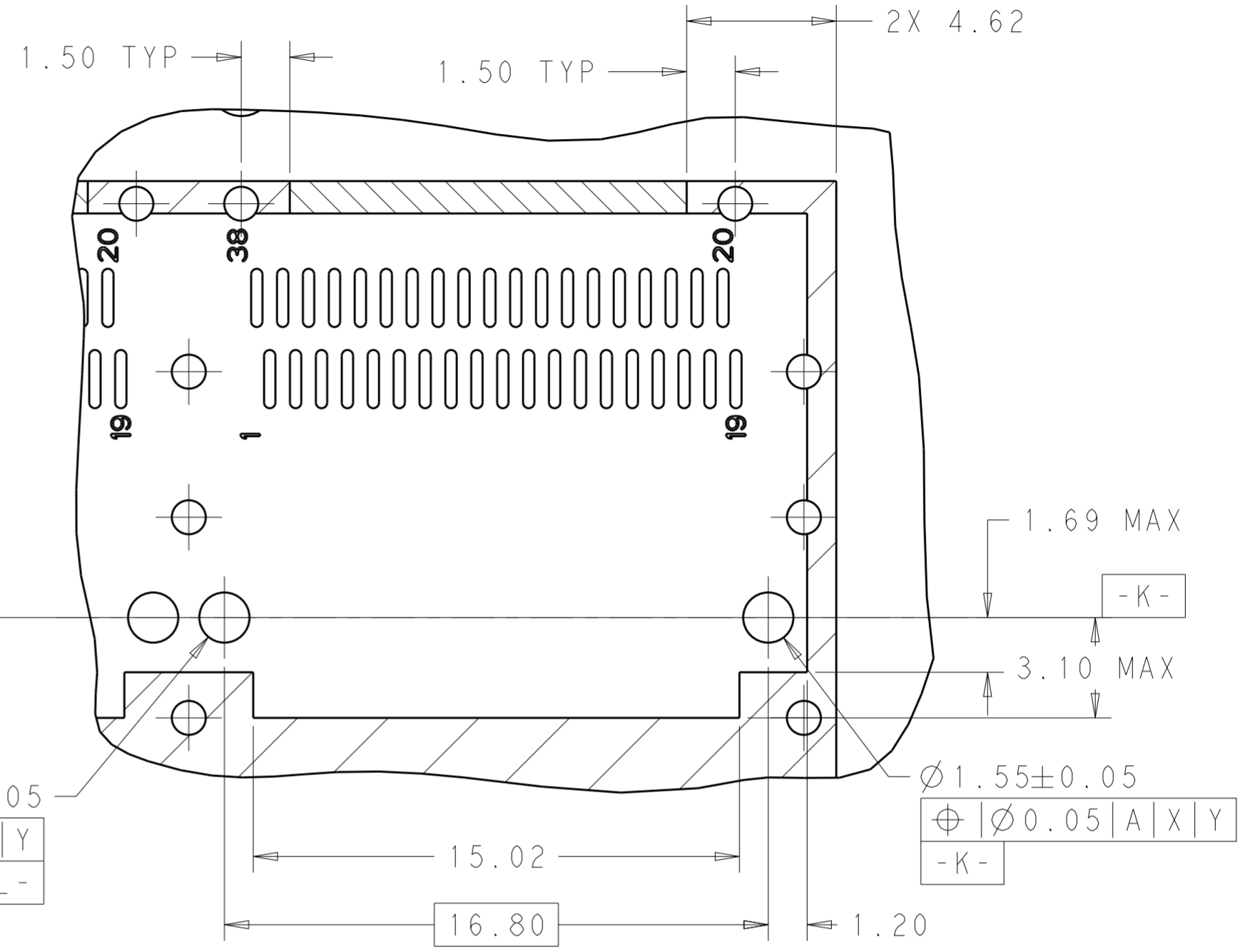
THIS DRAWING IS A CONTROLLED DOCUMENT.		DWN 24OCT2013 JASON YANG	TE Connectivity	
DIMENSIONS: mm		CHK -		
TOLERANCES UNLESS OTHERWISE SPECIFIED:		APVD -	PRODUCT SPEC	
0 PLC ±	1 PLC ±0.25	APPLICATION SPEC	CAGE ASSEMBLY, 1X6, QSFP28 WITH HEAT SINKS AND LIGHT PIPES, THRU BEZEL, GASKET	
2 PLC ±0.2	3 PLC ±	WEIGHT	SIZE CAGE CODE DRAWING NO RESTRICTED TO	
4 PLC ±	ANGLES ±	Customer Drawing	A200779 C-2170724	
FINISH	SEE NOTES	SCALE 3:1	SHEET 7 OF 9 REV 1	

THIS DRAWING IS UNPUBLISHED. RELEASED FOR PUBLICATION 20  
 © COPYRIGHT 20 BY - ALL RIGHTS RESERVED.

REVISIONS				
P	LTR	DESCRIPTION	DATE	APVD
-	-	SEE SHEET 1	-	-



DETAIL A  
SCALE 6:1



DETAIL B  
SCALE 6:1

Ø1.55±0.05  
 ⊕ | Ø0.05 | A | X | Y  
 -L-

Ø1.55±0.05  
 ⊕ | Ø0.05 | A | X | Y  
 -L-

Ø1.55±0.05  
 ⊕ | Ø0.05 | A | X | Y  
 -K-

Ø1.55±0.05  
 ⊕ | Ø0.05 | A | X | Y  
 -K-

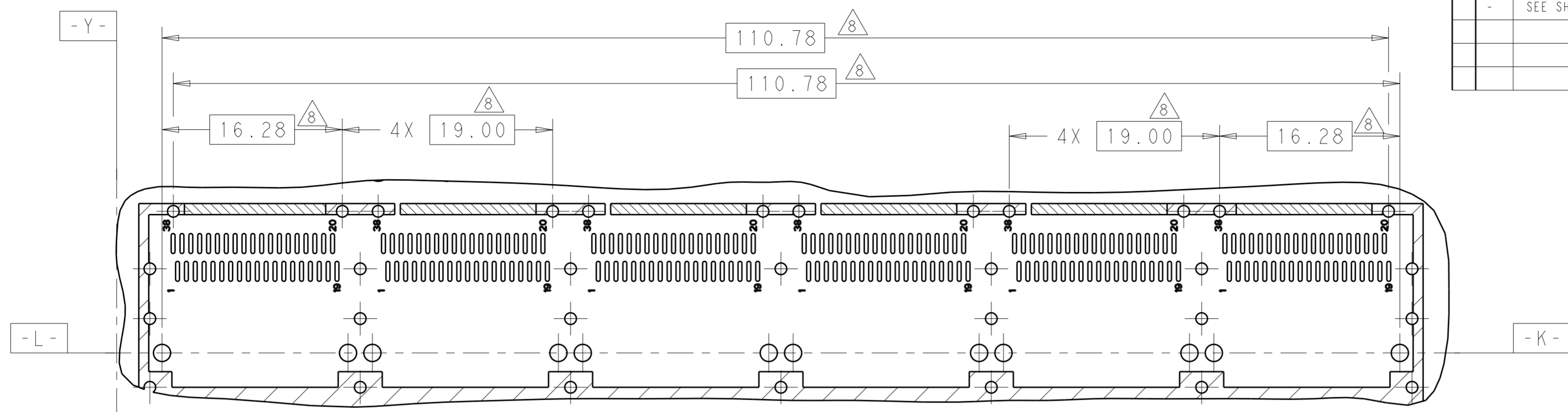
THIS DRAWING IS A CONTROLLED DOCUMENT.		DWN 24OCT2013 JASON YANG	TE Connectivity	
DIMENSIONS: mm		CHK -		
TOLERANCES UNLESS OTHERWISE SPECIFIED:		APVD -	PRODUCT SPEC	
0 PLC ±		APVD -	APPLICATION SPEC	
1 PLC ±0.25		WEIGHT -	RESTRICTED TO	
2 PLC ±0.2		SIZE CAGE CODE DRAWING NO		
3 PLC ±		A200779 C-2170724		
4 PLC ±		SCALE 3:1 SHEET 8 OF 9 REV 1		
ANGLES ±		Customer Drawing		
FINISH				
MATERIAL SEE NOTES				
SEE NOTES				

PRELIMINARY PART- NOT RELEASED FOR PRODUCTION

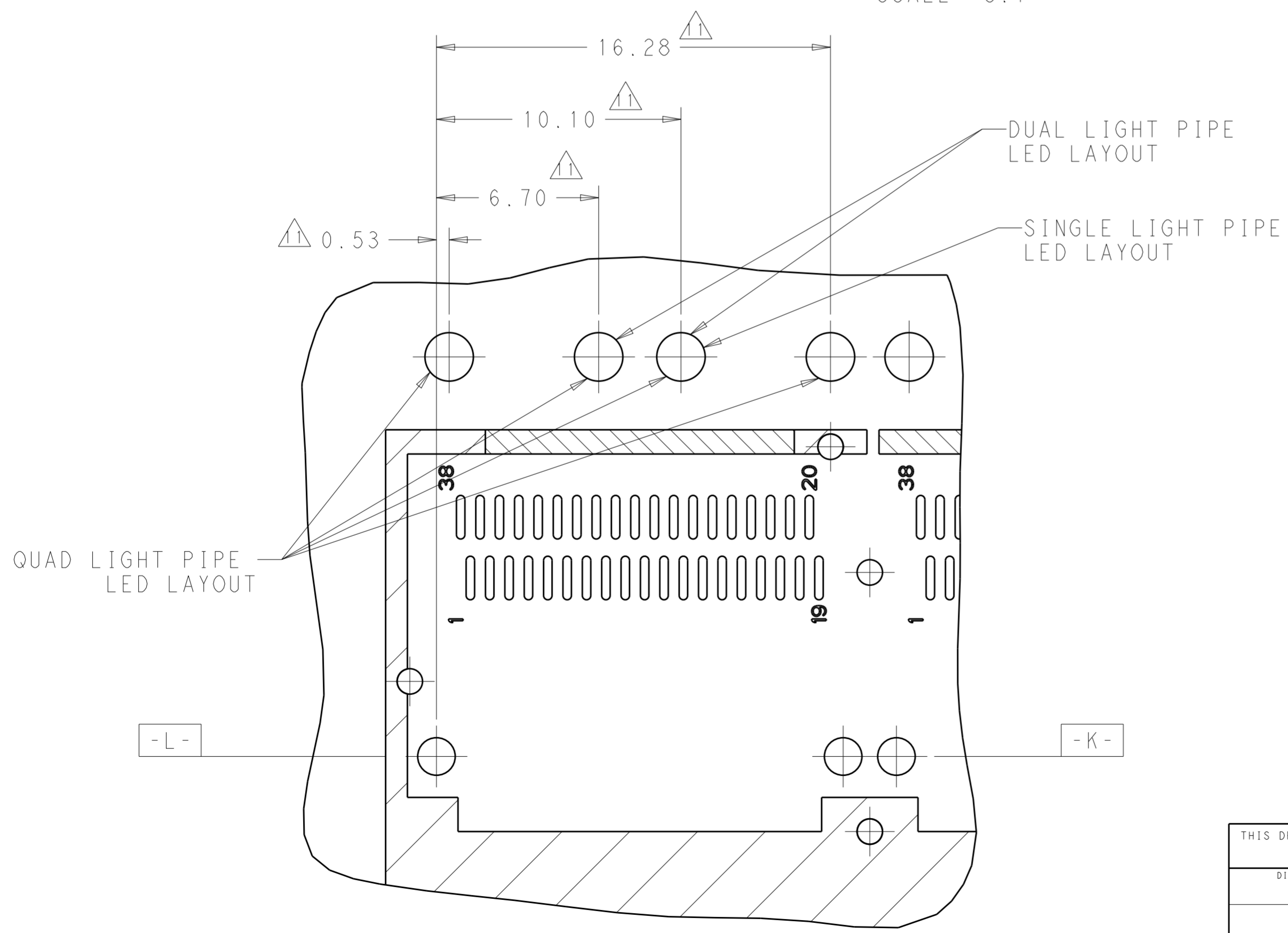


THIS DRAWING IS UNPUBLISHED. RELEASED FOR PUBLICATION 20  
 © COPYRIGHT 20 BY - ALL RIGHTS RESERVED.

REVISIONS				
P	LTR	DESCRIPTION	DATE	APVD
-	-	SEE SHEET 1	-	-



DETAIL D  
SCALE 3:1



DETAIL E  
SCALE 6:1

THIS DRAWING IS A CONTROLLED DOCUMENT.		DWN 24OCT2013 JASON YANG	TE Connectivity	
DIMENSIONS: mm		CHK -		
TOLERANCES UNLESS OTHERWISE SPECIFIED:		APVD -	PRODUCT SPEC	CAGE ASSEMBLY, 1X6, QSFP28 WITH HEAT SINKS AND LIGHT PIPES, THRU BEZEL, GASKET
0 PLC ±		APPLICATION SPEC	SIZE	A200779
1 PLC ±0.25		WEIGHT	CAGE CODE	C-2170724
2 PLC ±0.2		Customer Drawing	DRAWING NO	RESTRICTED TO
3 PLC ±		SCALE 3:1	SHEET 9 OF 9	REV 1
4 PLC ±				
ANGLES ±				
FINISH				
MATERIAL SEE NOTES				
SEE NOTES				