



OD7025 Series Datasheets

DC Fan

70 x 25mm (2.76 x 1.0in)

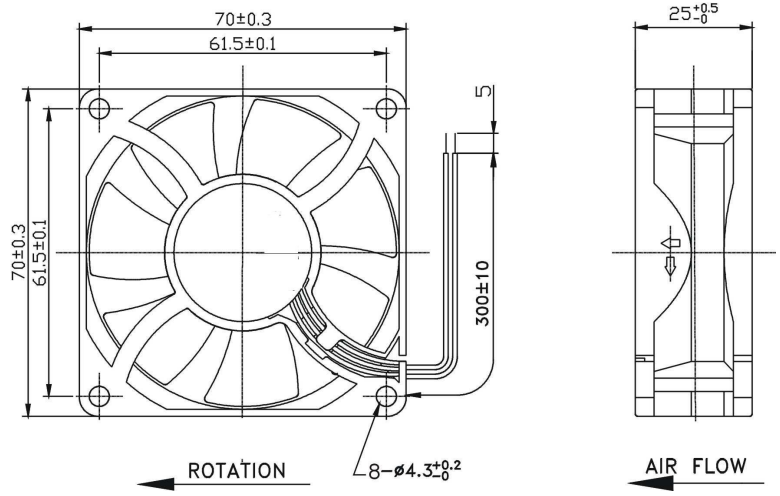


Model #	Pg #	Voltage	RPM	CFM	Noise Level	Max Static Pressure
OD7025-12HBXC	2	12 VDC	6000	57	52.3 dB	.46 H ₂ O
OD7025-12HBXC01A	3	12 VDC	6000	57	52.3 dB	.46 H ₂ O
OD7025-12HHB10A	4	12 VDC	5000	51	46 dB	.35 H ₂ O
OD7025-24HHB	5	24 VDC	5000	51	46 dB	.35 H ₂ O
OD7025-24MB	6	24 VDC	3800	33	36 dB	.20 H ₂ O

OD7025-12HBXC



DC Fan, 12VDC
70x25mm (2.76x1.0in)



Frame & Impeller	PBT, UL94V-0 plastic	<u>Available Options</u> IP55 Other speeds and voltages Alarm Tachometer PWM *Connection: Wire Leads - UL1007 24AWG Red(+), Black (-), Weight: 90 g	
Connection	2x Lead wires *		
Motor	Brushless DC, auto restart, polarity protected.		
Bearing System	Dual ball bearing		
Insulation Resistance	Min. 10M at 500VDC		
Dielectric Strength	1 second at 500VAC max leakage 500 microamp		
Temperature Range	-10C ~ +70C		
Storage Temperature	-40C ~ +80C		
Life (L10)	70,000 hours (40C)		

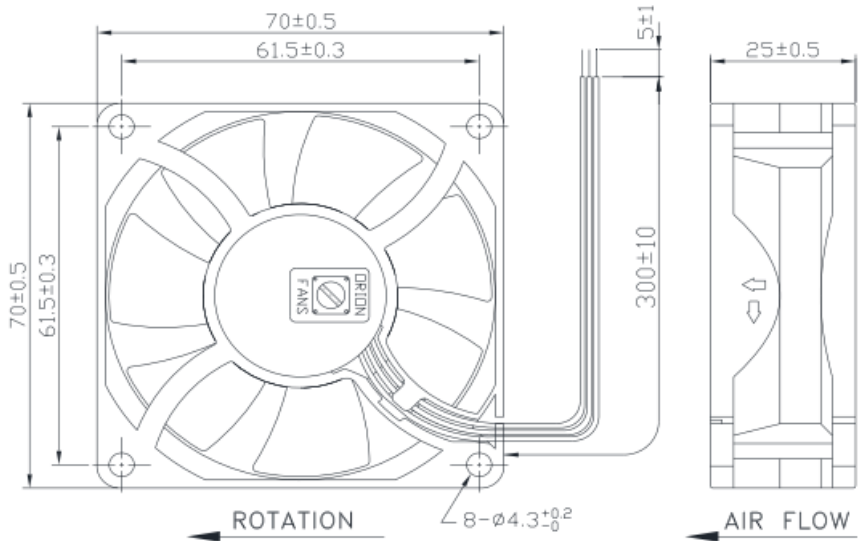
Model Number	OD7025-12HBXC
Part Number	114181001
Nominal Voltage	12 VDC
Voltage Range	7~13.2 VDC
Nominal Current	.62 A
Rated Power	9.6 Watts
Rated Speed (RPM)	6000
Airflow (CFM)	57
Noise Level (dB)	52.3
Max. Static Pressure	.46 "H ₂ O



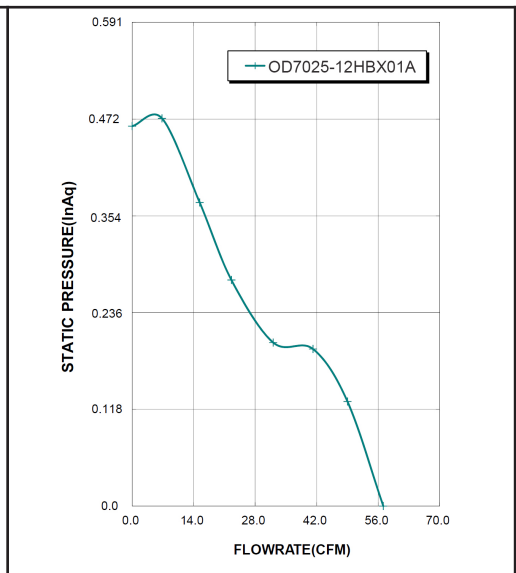
OD7025-12HBXC01A



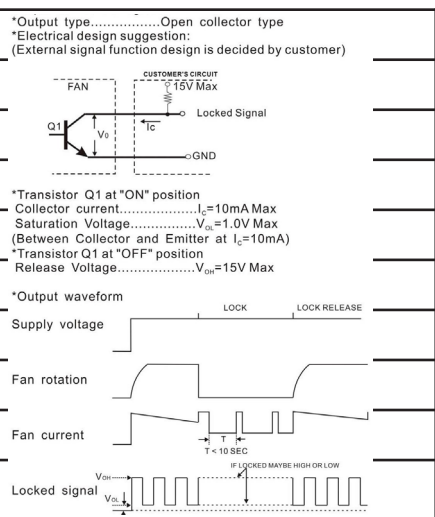
DC Fan, 12VDC
70x25mm (2.76x1.0in)



Frame & Impeller	PBT, UL94V-0 plastic	Available Options IP55 Other speeds and voltages Alarm Tachometer PWM *Connection: Wire Leads - UL1007 24AWG Red(+), Black (-), White Tachometer Weight: 90 g
Connection	3x Lead wires *	
Motor	Brushless DC, auto restart, polarity protected.	
Bearing System	Dual ball bearing	
Insulation Resistance	Min. 10M at 500VDC	
Dielectric Strength	1 second at 500VAC max leakage 500 microamp	
Temperature Range	-10C ~ +70C	
Storage Temperature	-40C ~ +80C	
Life (L10)	70,000 hours (40C)	



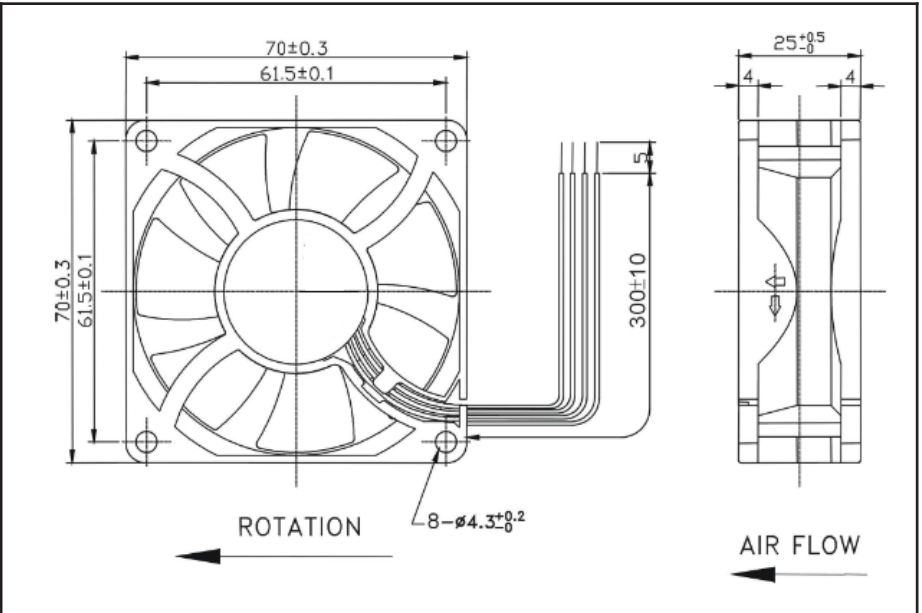
Model Number	OD7025-12HBXC01A
Part Number	114181221
Nominal Voltage	12 VDC
Voltage Range	7~13.2 VDC
Nominal Current	.62 A
Rated Power	9.6 Watts
Rated Speed (RPM)	6000
Airflow (CFM)	57
Noise Level (dB)	52.3
Max. Static Pressure	.46 "H ₂ O



OD7025-12HHB10A



DC Fan, 12VDC
70x25mm (2.76x1.0in)

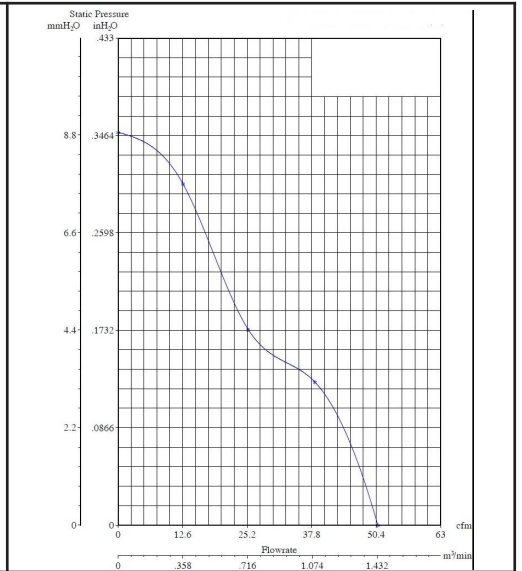


Frame & Impeller	PBT, UL94V-0 plastic
Connection	4x Lead wires *
Motor	Brushless DC, auto restart, polarity protected.
Bearing System	Dual ball bearing
Insulation Resistance	Min. 10M at 500VDC
Dielectric Strength	1 second at 500VAC max leakage 500 microamp
Temperature Range	-10C ~ +70C
Storage Temperature	-40C ~ +80C
Life (L10)	70,000 hours (40C)

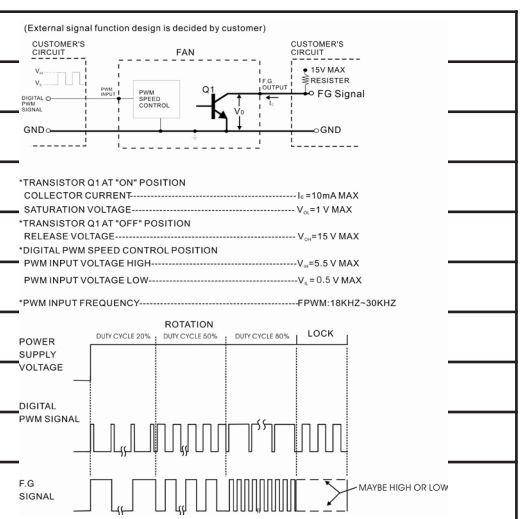
Available Options
IP55
Other speeds and voltages
Alarm

*Connection:
Wire Leads - UL1061
26AWG Red(+), Black (-),
White Tachometer,
Blue PWM

Weight: 90 g



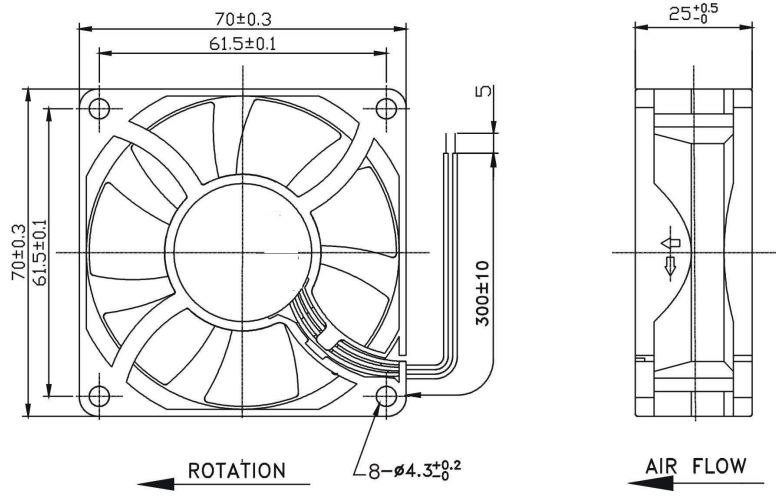
Model Number	OD7025-12HHB10A
Part Number	114151261
Nominal Voltage	12 VDC
Voltage Range	7~13.2 VDC
Nominal Current	.33 A
Rated Power	5.04 Watts
Rated Speed (RPM)	5000
Airflow (CFM)	51
Noise Level (dB)	46
Max. Static Pressure	.35 "H ₂ O



OD7025-24HHB



DC Fan, 24VDC
70x25mm (2.76x1.0in)



Frame & Impeller	PBT, UL94V-0 plastic	Available Options IP55 Other speeds and voltages Alarm Tachometer PWM *Connection: Wire Leads - UL1007 24AWG Red(+), Black (-), Weight: 90 g	<p>Static Pressure mmH₂O inH₂O</p> <p>Flowrate cfm m³/min</p>
Connection	2x Lead wires *		
Motor	Brushless DC, auto restart, polarity protected.		
Bearing System	Dual ball bearing		
Insulation Resistance	Min. 10M at 500VDC		
Dielectric Strength	1 second at 500VAC max leakage 500 microamp		
Temperature Range	-10C ~ +70C		
Storage Temperature	-40C ~ +80C		
Life (L10)	70,000 hours (40C)		

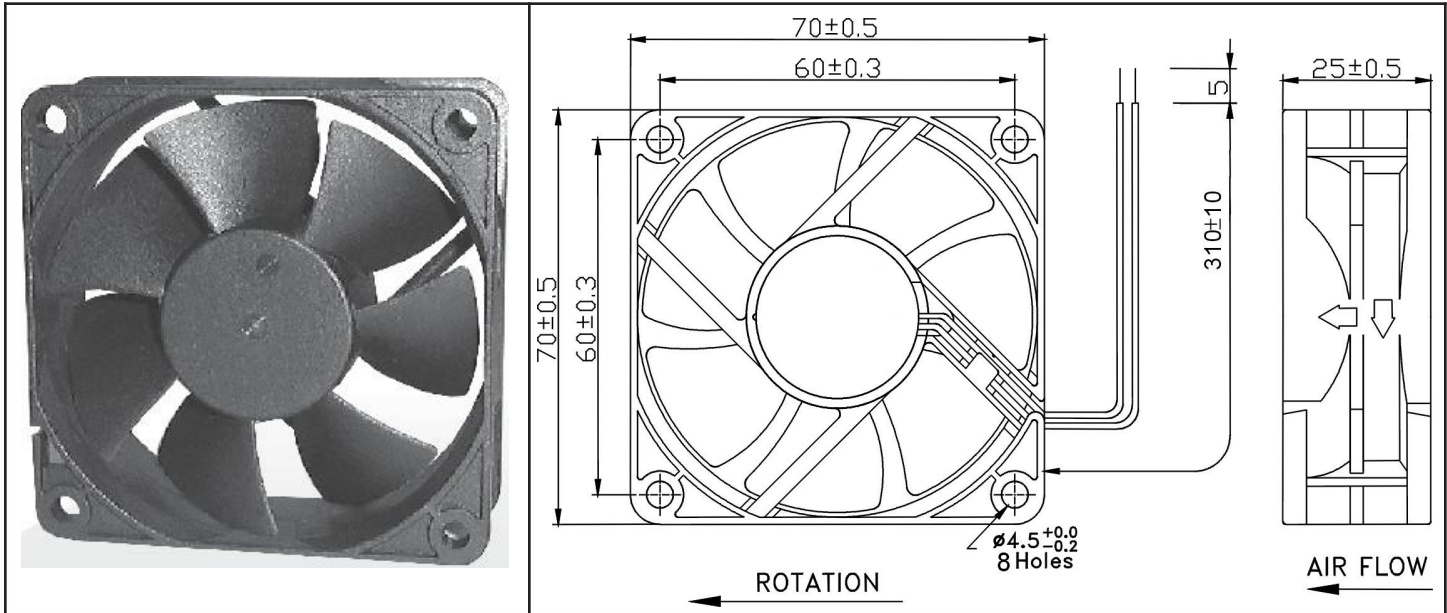
Model Number	OD7025-24HHB
Part Number	114251001
Nominal Voltage	24 VDC
Voltage Range	17~26.4 VDC
Nominal Current	.20 A
Rated Power	6.24 Watts
Rated Speed (RPM)	5000
Airflow (CFM)	51
Noise Level (dB)	46
Max. Static Pressure	.35 "H ₂ O



OD7025-24MB



DC Fan, 24VDC
70x25mm (2.76x1.0in)



Frame & Impeller	PBT, UL94V-0 plastic	<u>Available Options</u> IP55 Other speeds and voltages Alarm Tachometer PWM *Connection: Wire Leads - UL1007 24AWG Red(+), Black (-), Weight: 61 g	
Connection	2x Lead wires *		
Motor	Brushless DC, auto restart, polarity protected.		
Bearing System	Dual ball bearing		
Insulation Resistance	Min. 10M at 500VDC		
Dielectric Strength	1 second at 500VAC max leakage 500 microamp		
Temperature Range	-10C ~ +70C		
Storage Temperature	-40C ~ +80C		
Life (L10)	70,000 hours (40C)		

Model Number	OD7025-24MB
Part Number	114231001
Nominal Voltage	24 VDC
Voltage Range	17~26.4 VDC
Nominal Current	.085 A
Rated Power	2.64 Watts
Rated Speed (RPM)	3800
Airflow (CFM)	33
Noise Level (dB)	36
Max. Static Pressure	.20 "H ₂ O

