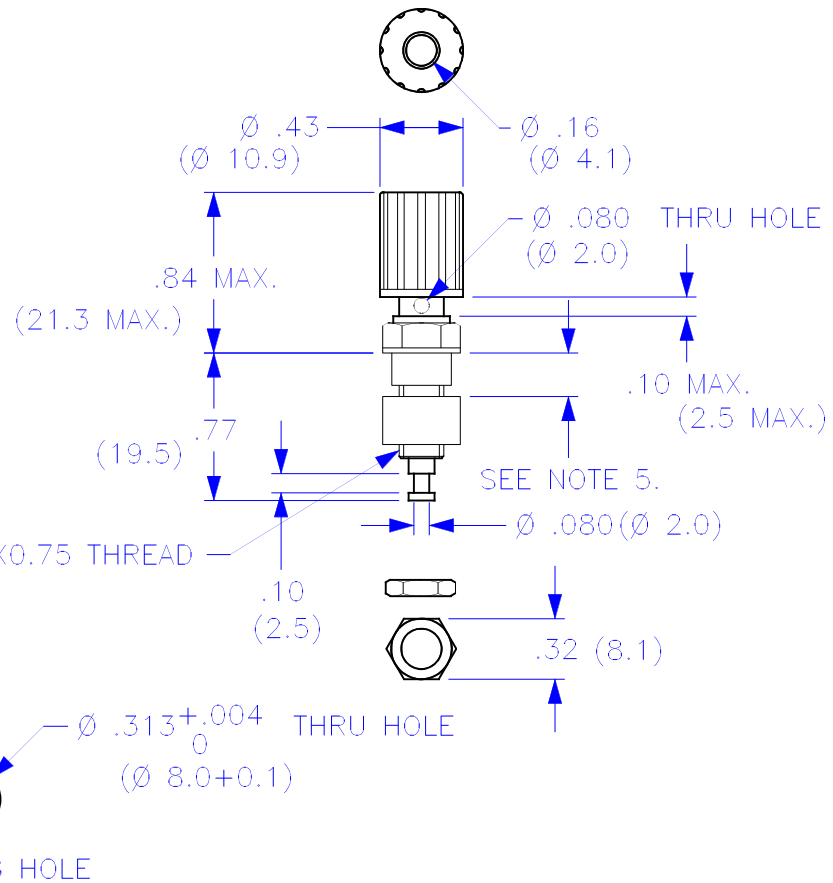


**THIS IS ISSUED IN STRICT CONFIDENCE THAT IT IS NOT USED AS A BASIS FOR MANUFACTURE OR SALE AND THAT IT IS NOT COPIED, REPRINTED OR DISCLOSED TO A THIRD PARTY EITHER WHOLLY OR IN PART WITHOUT THE PRIOR WRITTEN CONSENT OF CAL TEST ELECTRONICS, INC.**

REVISIONS			
REV.	DESCRIPTIONS	DATE	APPROVED
-	CLASS A RELEASED	7/11/99	

- 4mm INSULATED BINDING POST, SOLDER TURRET
- SPECIFICATIONS:  
INSULATOR: POLYAMIDE (NYLON)  
JACK BODY: BRASS, NICKEL PLATED  
NUT: BRASS, NICKEL PLATED, 2 PIECES
- RATING:  
VOLTAGE: 1,200V AC/DC  
CURRENT: 36A MAX.  
TEMPERATURE: -20° C TO +80° C.
- MOUNTING HOLE: REFERENCE DIAGRAM.
- MAXIMUM PANEL THICKNESS: .20 (5.1)



**PART NUMBER**

**CT2232-#**

- COLOR:
- 0 - BLACK
  - 2 - RED
  - 4 - YELLOW
  - 5 - GREEN
  - 6 - BLUE
  - 9 - WHITE

MOUNTING HOLE

<b>THIRD ANGLE PROJECTION</b>		<b>UNLESS OTHERWISE SPECIFIED DIMENSIONS ARE IN INCHES TOLERANCES ARE:</b>		<b>CONTRACT NO.</b>		<b>Cal Test Electronics</b>		22820 Savi Ranch Parkway Yorba Linda, CA 92887-4610	
		FRACTIONS ± 1/32    DECIMALS .XX ± .02 .XXX ± .005		DO NOT SCALE DRAWING				TITLE	
		MATERIAL		APPROVALS		DATE		4mm INSULATED BINDING POST, SOLDER TURRET	
		FINISH		DRAWN WDH		7/11/99		SIZE	
NEXT ASSY		USED ON		CHECKED				CAGE CODE	
APPLICATION				ENGR.				43F45	
				DESIGN ACTIVITY				DWG. NO.	
								P223200	
								REV.	
								-	
								SCALE	
								1:1	
								SHEET	
								1 OF 1	