

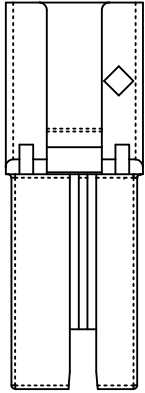
NOTES:

1. MATERIAL= BACKSHELLS - ZINC DIECAST  
PULL - MOLDED PLASTIC
2. LENGTH= SEE TABLE
3. ELECTRICAL PERFORMANCE PER SERIAL ATTACH SCSI 1.1
4. PLUG MATES TO RECEPTACLE 75586 SERIES, AND EMI HOUSING ASSY, 74548-0100
5. THIS PRODUCT MEETS THE RESTRICTION OF HAZARDOUS SUBSTANCES IN ELECTRICAL AND ELECTRONIC EQUIPMENT (RoHS) DIRECTIVE (2002/95/EC)

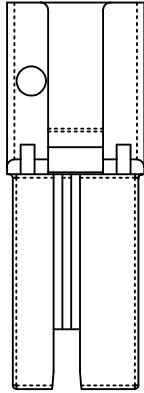
I-PASS™ IS A TRADEMARK OF MOLEX

EC NO: USY2010-0570 DRWN: JERWIN 2010/05/24 CHKD: SCHOESTER 2010/05/24 APPR: DDOYE 2010/06/08 Q	ADDED P/N 0311 DESCRIPTION	QUALITY SYMBOLS	GENERAL TOLERANCES (UNLESS SPECIFIED)	DIMENSION STYLE	SCALE	DESIGN UNITS	THIRD ANGLE PROJECTION
		▼=0 ▽=0	mm INCH 4 PLACES ± --- ± --- 3 PLACES ± --- ± --- 2 PLACES ± 0.13 ± --- 1 PLACE ± 0.25 ± --- ANGULAR ± 1/2°	MM ONLY DRAWN BY DATE KPHILLIPS 2005/28/07 CHECKED BY DATE BREED 2005/28/07 APPROVED BY DATE DDOYE 2005/28/07	1:1 METRIC	☉	
		DRAFT WHERE APPLICABLE MUST REMAIN WITHIN DIMENSIONS	SEE CHART	MATERIAL NO. MOLEX INCORPORATED	TITLE I-PASS 26 CKT EXTERNAL CABLE ASSEMBLY, PLUG TO PLUG	DOCUMENT NO. SD-74547-100	SHEET NO. 1 OF 4
		THIS DRAWING CONTAINS INFORMATION THAT IS PROPRIETARY TO MOLEX INCORPORATED AND SHOULD NOT BE USED WITHOUT WRITTEN PERMISSION	SIZE B				

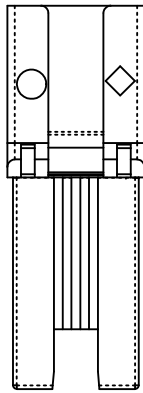
KEYING IDENTIFIER  
SAS



4,2  
TABLE  
ROUTING



6,4  
SUBSTRACTIVE  
ROUTING



6,4,2  
UNIVERSAL  
KEY

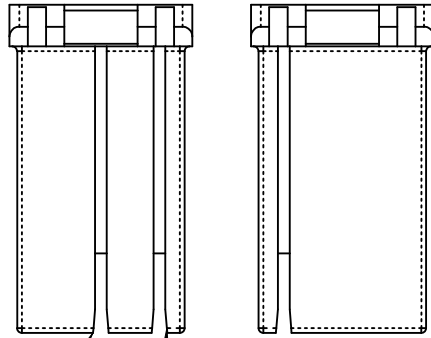
MATERIAL NUMBER	DESCRIPTION	GAUGE	LENGTH	TOLERANCE	KEY	IDENTIFIER
745470101	X4 SAS CABLE ASSEMBLY	28 AWG	1M	±.03	2,4	TABLE ROUTING (OUT PORT), SAS
745470102	X4 SAS CABLE ASSEMBLY	28 AWG	2M	±.03	2,4	TABLE ROUTING (OUT PORT), SAS
745470103	X4 SAS CABLE ASSEMBLY	28 AWG	3M	±.06	2,4	TABLE ROUTING (OUT PORT), SAS
745470104	X4 SAS CABLE ASSEMBLY	28 AWG	4M	±.06	2,4	TABLE ROUTING (OUT PORT), SAS
745470105	X4 SAS CABLE ASSEMBLY	26 AWG	5M	±.09	2,4	TABLE ROUTING (OUT PORT), SAS
745470106	X4 SAS CABLE ASSEMBLY	24 AWG	6M	±.09	2,4	TABLE ROUTING (OUT PORT), SAS
745470107	X4 SAS CABLE ASSEMBLY	24 AWG	7M $\Delta$	±.12	2,4	TABLE ROUTING (OUT PORT), SAS
745470108	X4 SAS CABLE ASSEMBLY	24 AWG	8M $\Delta$	±.12	2,4	TABLE ROUTING (OUT PORT), SAS
745470109	X4 SAS CABLE ASSEMBLY	28 AWG	0.25M	±.03	2,4	TABLE ROUTING (OUT PORT), SAS
745470110	X4 SAS CABLE ASSEMBLY	28 AWG	0.5M	±.03	2,4	TABLE ROUTING (OUT PORT), SAS
745470201	X4 SAS CABLE ASSEMBLY	28 AWG	1M	±.03	4,6	SUBSTRACTIVE ROUTING (IN PORT), SAS
745470202	X4 SAS CABLE ASSEMBLY	28 AWG	2M	±.03	4,6	SUBSTRACTIVE ROUTING (IN PORT), SAS
745470203	X4 SAS CABLE ASSEMBLY	28 AWG	3M	±.06	4,6	SUBSTRACTIVE ROUTING (IN PORT), SAS
745470204	X4 SAS CABLE ASSEMBLY	28 AWG	4M	±.06	4,6	SUBSTRACTIVE ROUTING (IN PORT), SAS
745470205	X4 SAS CABLE ASSEMBLY	26 AWG	5M	±.09	4,6	SUBSTRACTIVE ROUTING (IN PORT), SAS
745470206	X4 SAS CABLE ASSEMBLY	24 AWG	6M	±.09	4,6	SUBSTRACTIVE ROUTING (IN PORT), SAS
745470207	X4 SAS CABLE ASSEMBLY	24 AWG	7M $\Delta$	±.12	4,6	SUBSTRACTIVE ROUTING (IN PORT), SAS
745470208	X4 SAS CABLE ASSEMBLY	24 AWG	8M $\Delta$	±.12	4,6	SUBSTRACTIVE ROUTING (IN PORT), SAS
745470209	X4 SAS CABLE ASSEMBLY	28 AWG	0.25M	±.03	4,6	SUBSTRACTIVE ROUTING (IN PORT), SAS
745470210	X4 SAS CABLE ASSEMBLY	28 AWG	0.5M	±.03	4,6	SUBSTRACTIVE ROUTING (IN PORT), SAS
745470301	X4 SAS CABLE ASSEMBLY	28 AWG	1M	±.03	2,4,6	UNIVERSAL KEY, SAS
745470302	X4 SAS CABLE ASSEMBLY	28 AWG	2M	±.03	2,4,6	UNIVERSAL KEY, SAS
745470303	X4 SAS CABLE ASSEMBLY	28 AWG	3M	±.06	2,4,6	UNIVERSAL KEY, SAS
745470304	X4 SAS CABLE ASSEMBLY	28 AWG	4M	±.06	2,4,6	UNIVERSAL KEY, SAS
745470305	X4 SAS CABLE ASSEMBLY	26 AWG	5M	±.09	2,4,6	UNIVERSAL KEY, SAS
745470306	X4 SAS CABLE ASSEMBLY	24 AWG	6M	±.09	2,4,6	UNIVERSAL KEY, SAS
745470307	X4 SAS CABLE ASSEMBLY	24 AWG	7M $\Delta$	±.12	2,4,6	UNIVERSAL KEY, SAS
745470308	X4 SAS CABLE ASSEMBLY	24 AWG	8M $\Delta$	±.12	2,4,6	UNIVERSAL KEY, SAS
745470309	X4 SAS CABLE ASSEMBLY	28 AWG	0.25M	±.03	2,4,6	UNIVERSAL KEY, SAS
745470310	X4 SAS CABLE ASSEMBLY	28 AWG	0.5M	±.03	2,4,6	UNIVERSAL KEY, SAS
745470311	X4 SAS CABLE ASSEMBLY	30 AWG	0.5M	±.03	2,4,6	UNIVERSAL KEY, SAS
745470350	X4 SAS CABLE ASSEMBLY	24 AWG	10M $\Delta$	±.15	2,4,6	UNIVERSAL KEY, SAS
MATERIAL NUMBER	DESCRIPTION	GAUGE	LENGTH	TOLERANCE	KEY	IDENTIFIER
745470119	X4 SAS CABLE ASSEMBLY	28 AWG	0.5M	±.03	2,4-4,6	SAS, TABLE ROUTING (OUT PORT), TO SUBSTRACTIVE ROUTING (IN PORT)
745470120	X4 SAS CABLE ASSEMBLY	28 AWG	1M	±.03	2,4-4,6	SAS, TABLE ROUTING (OUT PORT), TO SUBSTRACTIVE ROUTING (IN PORT)
745470121	X4 SAS CABLE ASSEMBLY	28 AWG	2M	±.06	2,4-4,6	SAS, TABLE ROUTING (OUT PORT), TO SUBSTRACTIVE ROUTING (IN PORT)
745470122	X4 SAS CABLE ASSEMBLY	28 AWG	3M	±.06	2,4-4,6	SAS, TABLE ROUTING (OUT PORT), TO SUBSTRACTIVE ROUTING (IN PORT)
745470123	X4 SAS CABLE ASSEMBLY	28 AWG	4M	±.03	2,4-4,6	SAS, TABLE ROUTING (OUT PORT), TO SUBSTRACTIVE ROUTING (IN PORT)
745470124	X4 SAS CABLE ASSEMBLY	26 AWG	5M	±.09	2,4-4,6	SAS, TABLE ROUTING (OUT PORT), TO SUBSTRACTIVE ROUTING (IN PORT)
745470125	X4 SAS CABLE ASSEMBLY	24 AWG	6M	±.09	2,4-4,6	SAS, TABLE ROUTING (OUT PORT), TO SUBSTRACTIVE ROUTING (IN PORT)

$\Delta$  - NOT COMPLIANT WITH INSERTION  
LOSS SPEC PER SAS 1.1

IPASS™ IS A TRADEMARK OF MOLEX

ADDED P/N 0311 EC NO: USY2010-0570 DRWN: IERWIN 2010/05/24 CHKD: RSCHOESTER 2010/05/24 APPR: DDOYE 2010/06/08	QUALITY SYMBOLS $\nabla=0$ $\nabla=0$	GENERAL TOLERANCES (UNLESS SPECIFIED)		DIMENSION STYLE MM ONLY		SCALE 1:1	DESIGN UNITS METRIC	THIRD ANGLE PROJECTION	
		4 PLACES ± --- ± --- 3 PLACES ± --- ± --- 2 PLACES ± 0.13 ± --- 1 PLACE ± 0.25 ± ---	mm INCH ± --- ± --- ± 0.13 ± --- ± 0.25 ± ---	DRAWN BY KPHILLIPS	DATE 2005/28/07	TITLE I-PASS 26 CKT EXTERNAL CABLE ASSEMBLY, PLUG TO PLUG			
		ANGULAR ± 1/2°		CHECKED BY BREED	DATE 2005/28/07	MOLEX MOLEX INCORPORATED			
		DRAFT WHERE APPLICABLE MUST REMAIN WITHIN DIMENSIONS		APPROVED BY DDOYE	DATE 2005/28/07	MATERIAL NO. SEE TABLE	DOCUMENT NO. SD-74547-100	SHEET NO. 2 OF 4	

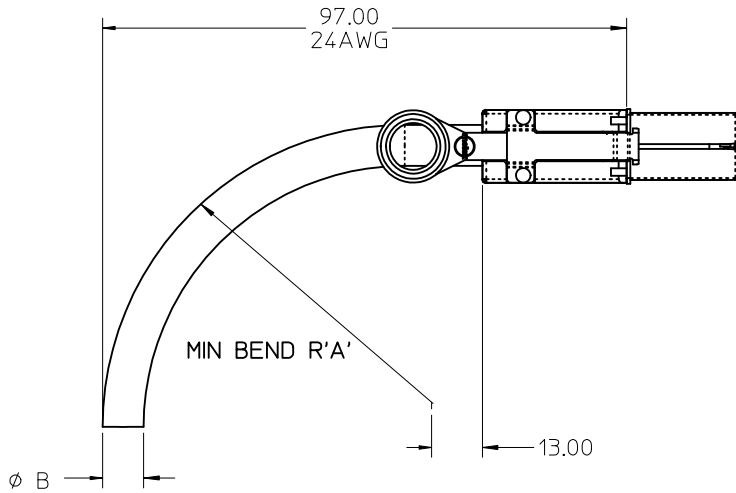
10 9 8 7 6 5 4 3 2 1



KEY#4 KEY#1  
\*M\* CABLE

MATERIAL NUMBER	DESCRIPTION	GAUGE	LENGTH	TOLERANCE	KEY	IDENTIFIER
745470001	X4 SATA CABLE ASSEMBLY	28 AWG	1M	±.03	1,4	X CABLE, SATA
745470002	X4 SATA CABLE ASSEMBLY	28 AWG	2M	±.03	1,4	X CABLE, SATA
745470003	X4 SATA CABLE ASSEMBLY	28 AWG	3M	±.06	1,4	X CABLE, SATA
745470004	X4 SATA CABLE ASSEMBLY	28 AWG	4M	±.06	1,4	X CABLE, SATA
745470005	X4 SATA CABLE ASSEMBLY	26 AWG	5M	±.09	1,4	X CABLE, SATA
745470006	X4 SATA CABLE ASSEMBLY	24 AWG	6M	±.09	1,4	X CABLE, SATA
745470007	X4 SATA CABLE ASSEMBLY	24 AWG	7M△	±.12	1,4	X CABLE, SATA
745470008	X4 SATA CABLE ASSEMBLY	24 AWG	8M△	±.12	1,4	X CABLE, SATA
745470009	X4 SATA CABLE ASSEMBLY	28 AWG	0.25M	±.03	1,4	X CABLE, SATA
745470011	X4 SATA CABLE ASSEMBLY	28 AWG	0.5M	±.03	1,4	X CABLE, SATA
745470401	X4 SATA CABLE ASSEMBLY	28 AWG	1M	±.03	7	M CABLE, SATA
745470402	X4 SATA CABLE ASSEMBLY	28 AWG	2M	±.03	7	M CABLE, SATA
745470403	X4 SATA CABLE ASSEMBLY	28 AWG	3M	±.06	7	M CABLE, SATA
745470404	X4 SATA CABLE ASSEMBLY	28 AWG	4M	±.06	7	M CABLE, SATA
745470405	X4 SATA CABLE ASSEMBLY	26 AWG	5M	±.09	7	M CABLE, SATA
745470406	X4 SATA CABLE ASSEMBLY	24 AWG	6M	±.09	7	M CABLE, SATA
745470407	X4 SATA CABLE ASSEMBLY	24 AWG	7M	±.12	7	M CABLE, SATA
745470408	X4 SATA CABLE ASSEMBLY	24 AWG	8M	±.12	7	M CABLE, SATA
745470409	X4 SATA CABLE ASSEMBLY	28 AWG	0.25M	±.03	7	M CABLE, SATA
745470410	X4 SATA CABLE ASSEMBLY	28 AWG	0.5M	±.03	7	M CABLE, SATA

△ - NOT COMPLIANT WITH INSERTION LOSS SPEC PER 1.1.



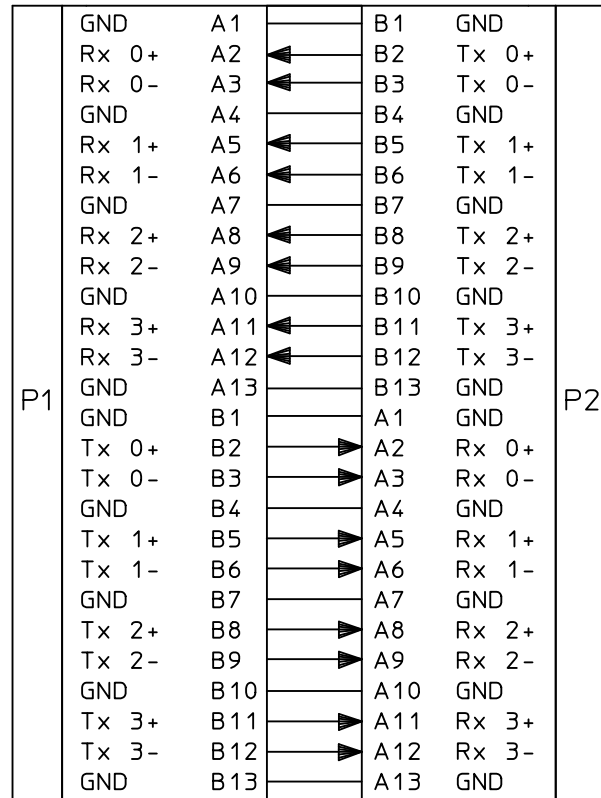
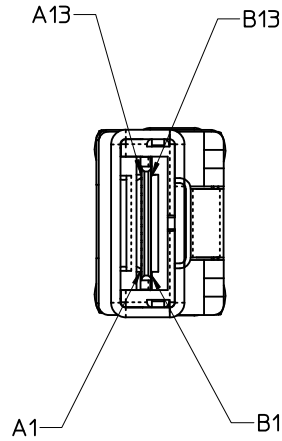
CABLE	A	B
24AWG	41.6	10.40
26AWG	37.2	9.30
28AWG	33.6	8.40

IPASS™ IS A TRADEMARK OF MOLEX

ADDED P/N 0311 EC NO: USY2010-0570 Q DRWN: JERWIN 2010/05/24 CHKD: BSCHOESTER 2010/05/24 APPR: DDOYE 2010/06/08	DESCRIPTION REV	QUALITY SYMBOLS ▽=0 ▽=0	GENERAL TOLERANCES (UNLESS SPECIFIED) mm INCH 4 PLACES ± --- ± --- 3 PLACES ± --- ± --- 2 PLACES ± 0.13 ± --- 1 PLACE ± 0.25 ± --- ANGULAR ± 1/2°	DIMENSION STYLE MM ONLY DRAWN BY DATE KPHILLIPS 2005/28/07 CHECKED BY DATE BREED 2005/28/07 APPROVED BY DATE DDOYE 2005/28/07	SCALE 1:1 DESIGN UNITS METRIC THIRD ANGLE PROJECTION	TITLE I-PASS 26 CKT EXTERNAL CABLE ASSEMBLY, PLUG TO PLUG MOLEX MOLEX INCORPORATED DOCUMENT NO. SD-74547-100 SHEET NO. 3 OF 4
		DRAFT WHERE APPLICABLE MUST REMAIN WITHIN DIMENSIONS	MATERIAL NO. SEE TABLE SIZE B	THIS DRAWING CONTAINS INFORMATION THAT IS PROPRIETARY TO MOLEX INCORPORATED AND SHOULD NOT BE USED WITHOUT WRITTEN PERMISSION		

9 8 7 6 5 4 3 2 1

10 9 8 7 6 5 4 3 2 1



IPASS™ IS A TRADEMARK OF MOLEX

ADDED P/N 0311 EC NO: USY2010-0570 DRWN: IERMIN 2010/05/24 CHKD: BSCHOESTER 2010/05/24 APPR: DDOYE 2010/06/08	QUALITY SYMBOLS	GENERAL TOLERANCES (UNLESS SPECIFIED)	DIMENSION STYLE	SCALE	DESIGN UNITS	THIRD ANGLE PROJECTION																		
	▽=0 ▽7=0	<table border="1"> <tr> <th></th> <th>mm</th> <th>INCH</th> </tr> <tr> <td>4 PLACES</td> <td>±---</td> <td>±---</td> </tr> <tr> <td>3 PLACES</td> <td>±---</td> <td>±---</td> </tr> <tr> <td>2 PLACES</td> <td>±0.13</td> <td>±---</td> </tr> <tr> <td>1 PLACE</td> <td>±0.25</td> <td>±---</td> </tr> <tr> <td colspan="3">ANGULAR ±1/2°</td> </tr> </table>		mm	INCH	4 PLACES	±---	±---	3 PLACES	±---	±---	2 PLACES	±0.13	±---	1 PLACE	±0.25	±---	ANGULAR ±1/2°			MM ONLY	1:1	METRIC	
		mm	INCH																					
	4 PLACES	±---	±---																					
3 PLACES	±---	±---																						
2 PLACES	±0.13	±---																						
1 PLACE	±0.25	±---																						
ANGULAR ±1/2°																								
DESCRIPTION	DRAFT WHERE APPLICABLE MUST REMAIN WITHIN DIMENSIONS	DRAWN BY DATE KPHILLIPS 2005/28/07 CHECKED BY DATE BREED 2005/28/07 APPROVED BY DATE DDOYE 2005/28/07	TITLE	I-PASS 26 CKT EXTERNAL CABLE ASSEMBLY, PLUG TO PLUG																				
REV			MATERIAL NO.	DOCUMENT NO.	SHEET NO.																			
			SEE TABLE	SD-74547-100	4 OF 4																			
			THIS DRAWING CONTAINS INFORMATION THAT IS PROPRIETARY TO MOLEX INCORPORATED AND SHOULD NOT BE USED WITHOUT WRITTEN PERMISSION																					

9 8 7 6 5 4 3 2 1