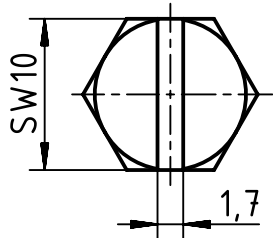
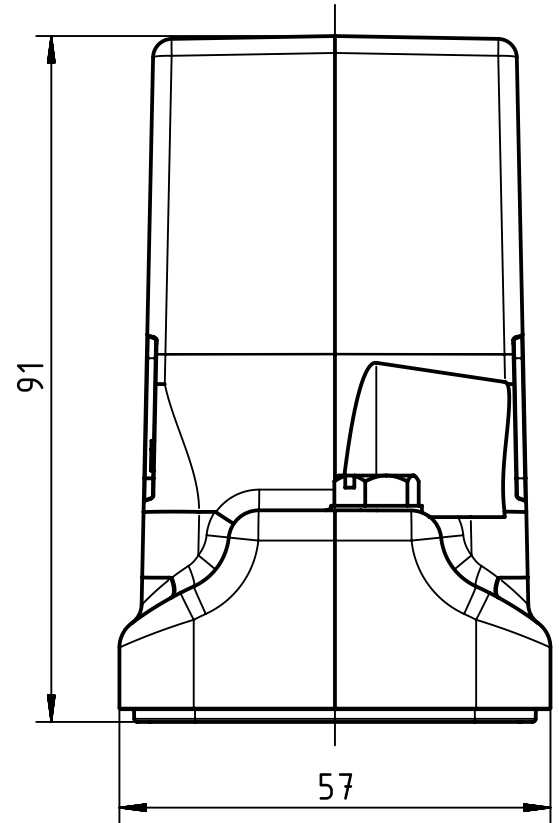
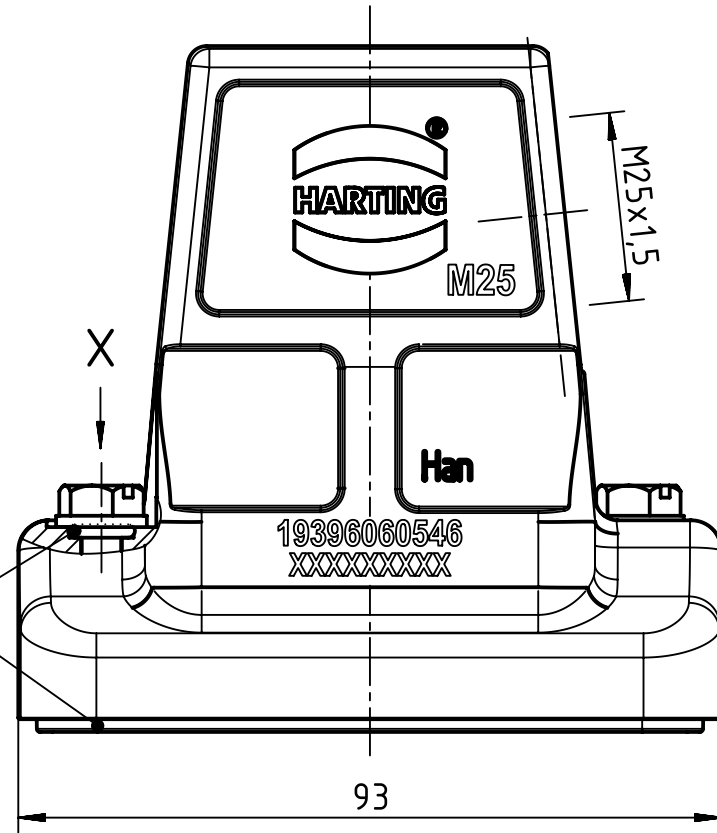
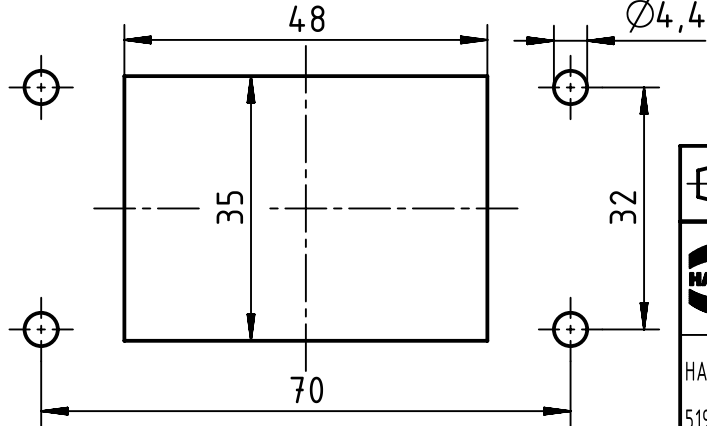



X (2:1)



Panel cut out



	All Dimensions in mm Original Size DIN A4		Scale 1:1	Free size tol.		Ref.	
	All rights reserved Department EL PD - CN		Created by LONGL	Inspected by WENE	Standardisation TIEMANNA	Date 2017-03-22	State Final Release
HARTING (Zhuhai) Manufacturing Co., Ltd. 519085 Zhuhai, China			Title Han 6HP Direct/B-HSE-M25			Doc-Key / ECM-Nr. 100661488/UGD/002/C 500000117076	
			Type TB	Number 19 39 606 0546		Rev. C	Page 1/1