

REVISIONS				
NO.	DATE	BY	APP'D	DESCRIPTION
1				FIRST VERSION

NOTES :

- △ MATERIALS AND FINISH:
 - HOUSING: PA66
 - CONTACTS: COPPER ALLOY, FINISH: TIN OVER NICKEL UNDERPLATE
 - SPRING: STAINLESS STRIP STEEL

2. MUST COMPLY WITH DIRECTIVE 2002/95/EC (ROHS)

3. WIRE TYPES AND SIZES ACCEPTED
 WIRE RANGE: 20AWG~26AWG.
 STRIP LENGTH: 9.5mm~10.5mm

4. PACKAGED IN TRAY.

5. CURRENT RATING: 6Amp AC150V.

6. OPERATION TEMPERATURE: -40°C TO +105°C

P/N: *-2834015-*

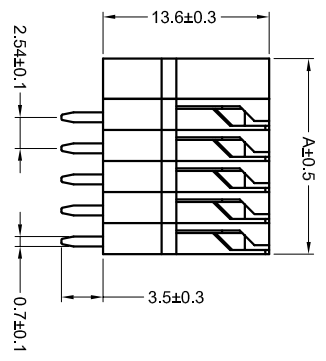
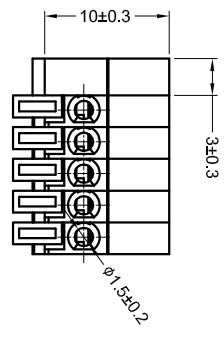
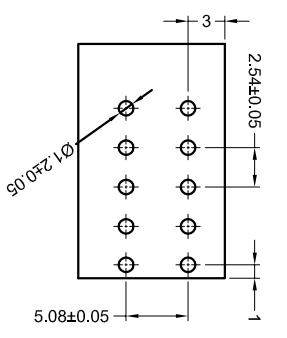
COLOR CODE:

PIN No:

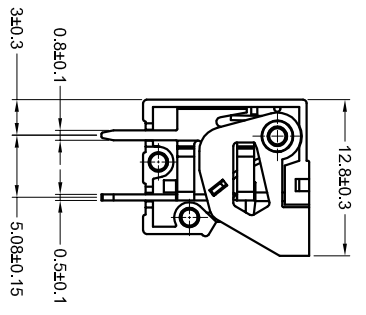
SERIES CODE	POSN
1=GREEN	2=2 POSN
2=BLUE	3=3 POSN
3=BROWN	4=4 POSN
4=ORANGE	5=5 POSN
5=GREY	6=6 POSN
6=RED	7=7 POSN
7=YELLOW	8=8 POSN
8=PURPLE	
9=WHITE	
0=BLACK	

REMARK: THE DIFFERENT COLORS COULD BE COMBINED TO THE NEW CONNECTOR P/NS FOR CUSTOMER REQUEST.

PCB Layout



DETAIL INNER



23.32	8 POSN
20.78	7 POSN
18.24	6 POSN
15.70	5 POSN
13.16	4 POSN
10.62	3 POSN
8.08	2 POSN
A	NO. OF POSITIONS

THIS DRAWING IS A CONTROLLED DOCUMENT.

DESIGNER	CHK	DATE	REV
SHI XIANG	GEORGE E. TZANZOTIS	14JAN2015	1
DATE	BY	DATE	REV
108-137079	108-137079	11-4-13/079	1
VERSION	CUSTOMER DRAWING		

2.54mm Pitch Modular Screwless Conn.

SIZE: 1 CODE: 00779 ©-2834015

SCALE: 1:1 SHEET: 1 OF 1 REV: A