

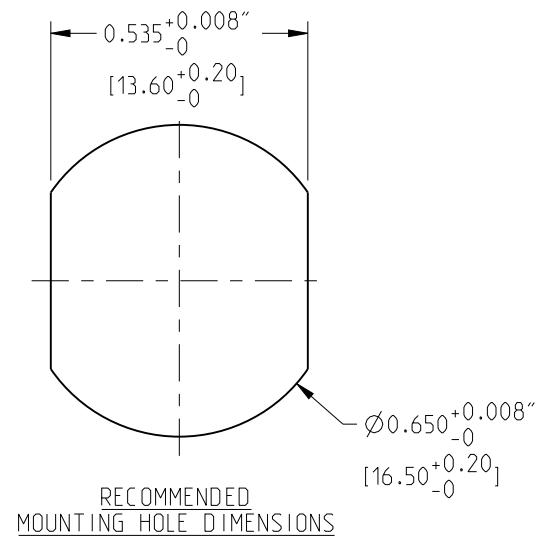
NOTE:

- 1. ELECTRIC PERFORMANCE
 - IMPEDANCE (Ω) : 50
 - FREQUENCY RANGE : DC-6 GHz
 - VSWR : ≤ 1.065 (DC-3GHz)
 - : ≤ 1.25 (3-6GHz)
 - INSERT LOSS (dB) : ≤ 0.1
 - PIM (dBc) : ≤ -160 (2X43dBm)
 - INSULATION RESISTANCE ($M\Omega$) : >5000
 - PROOF VOLTAGE (V) : 2500
 - CONDUCTOR RESISTANCE ($m\Omega$) : OUTER CONDUCTOR <0.2
 - : INNER CONDUCTOR <0.8

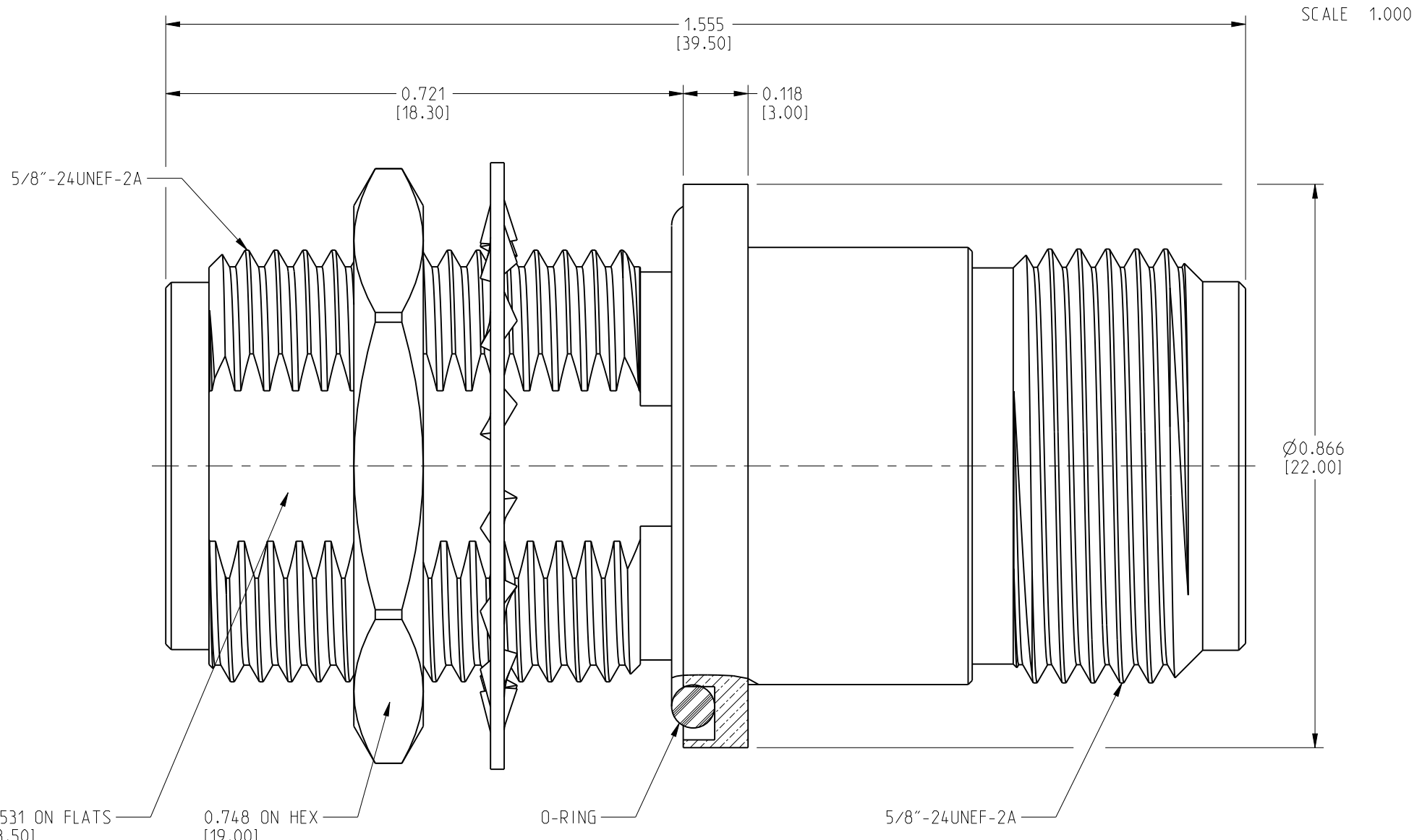
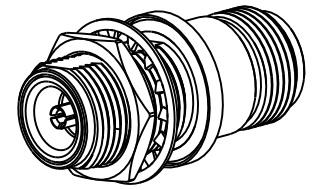
- II. MECHANICAL PERFORMANCE
 - MECHANICAL WEAR : 500
 - NUT TORQUE : 5N.m

- III. MATERIAL AND PLATING
 - INNER CONDUCTOR : SPRING COPPER PLATING Ag5 μ m
 - OUTER CONDUCTOR : BRASS PLATING COPPER-TIN-ZINC 2 μ m
 - NUT : BRASS PLATING COPPER-TIN-ZINC 2 μ m
 - SPRING WASHER : SPRING COPPER PLATING COPPER-TIN-ZINC 2 μ m
 - INSULATION : PTFE
 - O-RING : SILICON RUBBER

- IV. ENVIRONMENT
 - TEMP RANGE : -55°C TO +155°C
 - WATERPROOF STANDARD : IP67
 - ROHS COMPLIANT



172371		REVISIONS			
DRAWING NO.	REV	DESCRIPTION	DATE	ECO	APPR
THIRD ANGLE PROJ.	A	RELEASE TO MFG.	01-Oct-12	--	MG



6	LOCK WASHER	SPRING COPPER	WHITE BRONZE	1
5	INSULATOR	PTFE	NATURAL	1
4	O-RING	SILICONE RUBBER		1
3	NUT	BRASS	WHITE BRONZE	1
2	OUTER CONDUCTOR	BRASS	WHITE BRONZE	1
1	INNER CONDUCTOR	SPRING COPPER	SILVER	1
NO	DESCRIPTION	MATERIAL	FINISH	QTY

UNLESS OTHERWISE SPECIFIED, DIMENSIONS ARE IN INCHES AND TOLERANCES ARE:
 2 PLACE DECIMAL 3 PLACE DECIMAL ANGLES
 ± 0.015 (0,381 mm) ± 0.005 (0,127 mm) $\pm 1^\circ$

NOTICE - These drawings, specifications, or other data (1) are, and remain the property of Amphenol Corp. (2) must be returned upon request; and (3) are confidential and not to be disclosed to any person other than those to whom they are given by Amphenol Corp. The furnishing of these drawings, specifications, or other data by Amphenol Corp., or to any other person to anyone for any purpose is not to be regarded by implication or otherwise in any manner licensing, granting rights or permitting such holder or any other person to manufacture, use or sell any product, process or design, patented or otherwise, that may in any way be related to or disclosed by said drawings, specifications, or other data.

MATERIAL	DRAWN	DATE	TITLE	Amphenol Connex	
SEE NOTES	GOPI M	01-Oct-12	N FEMALE TO N FEMALE BULKHEAD ADAPTER, LOW PIM		
REFERENCE	ENGINEER	DATE			
	GOPI M	01-Oct-12			
	APPROVED	DATE		SCALE: 5.0:1	SHEET 1 OF 1
	CAD FILE		DWG SIZE	DRAWING NO.	REV
			B	172371	A