

AVO200 Series

200 Watt 1/8th Brick DC/DC Converter

Data Sheet

Total Power: 200 W
 (12 V @ 16.7 A)
 (5 V @ 40 A)
Input voltage: 36 - 75 Vdc
Single output: 12 V, 5 V

SPECIAL FEATURES

- 200 W continuous power
- Ultra high efficiency up to 94.5%
- Telecom DC input range
- Base-plate optimised for contact cooling
- Open frame optimised for air-cooling
- Low ripple and noise
- Fixed switching frequency
- High capacitive load capability
- Pre-bias start-up capability
- Through hole and surface mount termination option
- High reliability
- RoHS-6 compliant
- UL94 V-0 materials

SAFETY

- EN60950
- CSA
- CE

WARRANTY

- 2 Years (Consult factory for extended Terms)



Electrical Specifications

Input	
Input voltage	36 - 75 Vdc
Input Surge	100 V / 100 mSec
Efficiency	12 V at 100% load is 94% 5 V at 100% load is 94.5%
I/O insulation I/O isolation	Basic insulation, 1500 Vdc
Output	
Output Voltage	12 V nominal 5 V nominal
Output current maximum	16.7 A for 12 V version 40 A for 5 V version
Noise & ripple	12 V is 70 mV pk-pk max 5 V is 120 mV pk-pk max
Over Temperature protection -Baseplate -Open frame	110 degC baseplate 120 degC hot-spot
Over voltage protection Method / OVP operation	Auto restart /130% Vout
Over current protection Method / OCP operation	Hiccup / 150% Iout
Control	
Enable	TTL compatible (negative logic)
Trim function	80% to 110% Vout
Remote sense	Sense connections provided
Switching Frequency	150 Khz

Ordering Information

Model number	Input voltage	Output voltage set point	Output current	Efficiency
AVO200-48S05B-6L	36-75 Vdc	5 V / 40 A	40 A	94.5%
AVO200-48S05-6L	36-75 Vdc	5 V / 40 A	40 A	94.5%
AVO200-48S05PB-6L	36-75 Vdc	5 V / 40 A	40 A	94.5%
AVO200-48S12B-4L	36-75 Vdc	12 V / 17 A	16.7 A	94.0%
AVO200-48S12B-6L	36-75 Vdc	12 V / 17 A	16.7 A	94.0%
AVO200-48S12-6L	36-75 Vdc	12 V / 17 A	16.7 A	94.0%

Default = Negative remote control

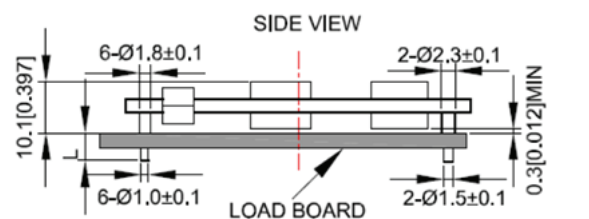
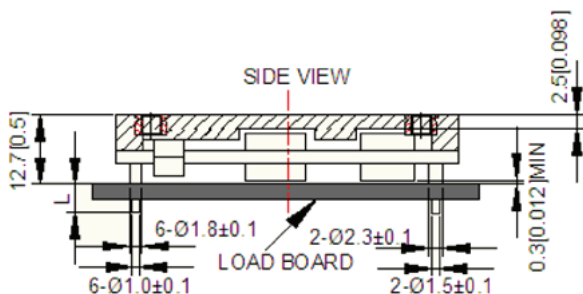
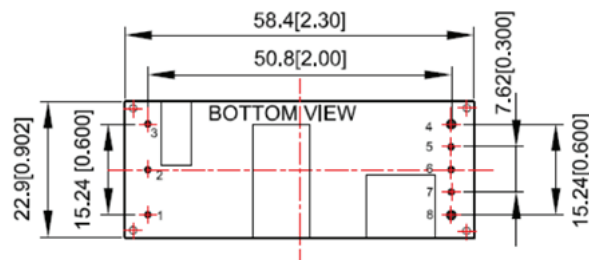
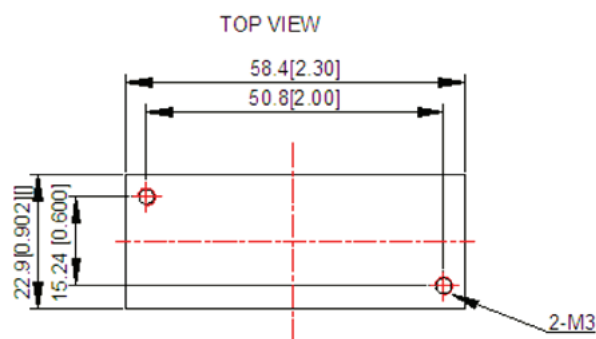
P = Positive remote control

B = Baseplate

-6 = 3.8 mm pin length

-4 = 4.8 mm pin length

Mechanical Drawings



UNIT: mm[inch] BOTTOM VIEW: pin on upside
 TOLERANCE: X.Xmm±0.5mm[X.X in.±0.02in.]
 X.XXmm±0.25mm[X.XX in.±0.01in.]

Notes:

1. Dimensions within the box are critical dimensions.
2. AVO200 5 V and 12 V products have slight difference in the mechanical drawing. Please check the specified product's Technical Reference Note for more details.
3. All specifications are subject to change without notice. Mechanical drawings are for reference only.

Pin Length Options

Device code suffix	Pin Length
-4	4.8 mm ± 0.25 mm
-6	3.8 mm ± 0.25 mm
-8	2.8 mm ± 0.25 mm
None	5.8 mm ± 0.25 mm

Pin Designations (AVO200)

Pin No.	Name	Function
1	V _{in+}	Positive input voltage
2	Remote ON/OFF	Remote control
3	V _{in-}	Negative input voltage
4	V _{o-}	Negative output voltage
5	S-	Negative remote sense
6	Trim	Output voltage trim
7	S+	Positive remote sense
8	V _{o+}	Positive output voltage

Environmental Specifications

Operating temperature	-40 to +85 °C
Storage temperature	-55 to +125 °C
MTBF	1.5 million hours

WORLDWIDE OFFICES

Americas

2900 S.Diablo Way
 Tempe, AZ 85282
 USA
 +1 888 412 7832

Europe (UK)

Waterfront Business Park
 Merry Hill, Dudley
 West Midlands, DY5 1LX
 United Kingdom
 +44 (0) 1384 842 211

Asia (HK)

14/F, Lu Plaza
 2 Wing Yip Street
 Kwun Tong, Kowloon
 Hong Kong
 +852 2176 3333

ARTESYN[™]
 EMBEDDED TECHNOLOGIES

www.artesyn.com

While every precaution has been taken to ensure accuracy and completeness in this literature, Artesyn Embedded Technologies assumes no responsibility, and disclaims all liability for damages resulting from use of this information or for any errors or omissions. Artesyn Embedded Technologies, Artesyn and the Artesyn Embedded Technologies logo are trademarks and service marks of Artesyn Embedded Technologies, Inc. All other names and logos referred to are trade names, trademarks, or registered trademarks of their respective owners.
 © 2018 Artesyn Embedded Technologies, Inc.

For more information: www.artesyn.com/power
 For support: productsupport.ep@artesyn.com

AVO200 Series-DS 14Aug2018