

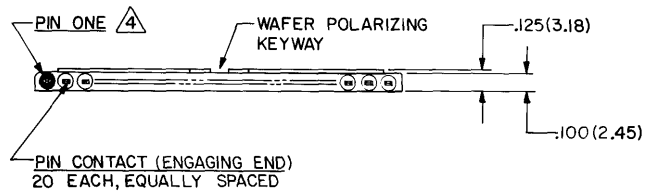
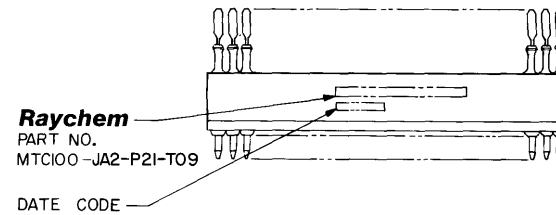
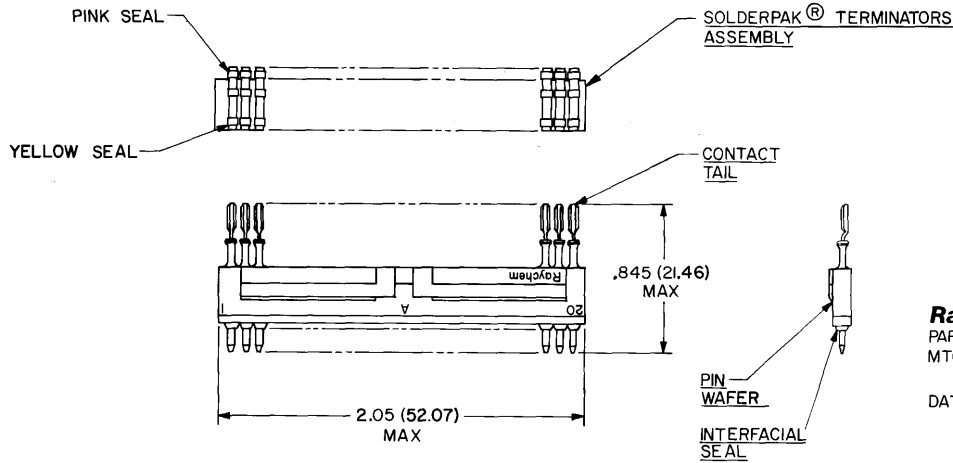
4

3

2

1

REVISIONS				
ZONE	LTR	DESCRIPTION	DATE	APPROVED
	A	CHG'D PER DCO # T-02581	W.J. 4-22-81	Plain



5 WEIGHT (MAX.) $\frac{3}{10090}$ LBS. | GRAMS
4.08

4 PIN ONE : PIN NUMBER ONE MARKED IN CONTRASTING COLOR ON INTERFACIAL SEAL.

3. WAFER : WAFER MEETS THE REQUIREMENTS OF RAYCHEM SPECIFICATION D-6011.

2. FINISH :
 2-A PIN WAFER : FINISH TO BE AS MOLDED.
 2-B PIN CONTACT : GOLD FLATE PER MIL-G-45204, CLASS 1.
 2-C CONTACT TAIL ; COATED WITH SOLDER PER QQ-S-571.

1. MATERIAL :
 1-A PIN WAFER ; HIGH GRADE POLYARYLENE THERMO-PLASTIC.
 1-B PIN CONTACT ; COPPER ALLOY PER QQ-B-613 OR QQ-C-502.
 1-C INTERFACIAL SEAL ; SILICONE ELASTOMER PER MIL-R-25988.
 1-D SOLDERPAK® TERMINATORS ASSY ; REFER TO RAYCHEM DWG. CTA-0027 FOR DATA.

NOTES

If this document is printed it becomes uncontrolled.
Check with the web for latest revision.

DO NOT SCALE THIS DRAWING

© Raychem Corporation 1981

SPECIFICATION CONTROL DRAWING

UNLESS OTHERWISE SPECIFIED DIMENSIONS ARE IN INCHES BRACKETED DIMENSIONS () ARE METRIC AND TOLERANCES ARE: XXX ± .005 (0.13 M.M.) .XX ± .02 (0.51 M.M.) Δ ± —	DRAWN	W V J	1-15-81	Raychem <small>RAYCHEM CORPORATION 10000 WILSON AVENUE MTC100 - JA2 - P21 - T09</small>
	CHECKED			
	APPROVED			
	APPROVED			
				TITLE KIT, 2" PIN WAFER "A" WITH SOLDERPAK® TERMINATORS, FOR ROUND WIRE (20-26 AWG), 150°C TEMPERATURE RATING MTC 100 SERIES
SIZE		CODE IDENT	DWG. NO.	
C		NO. 06090	MTC100-JA2-P21-T09	
WEIGHT			5	SHEET OF