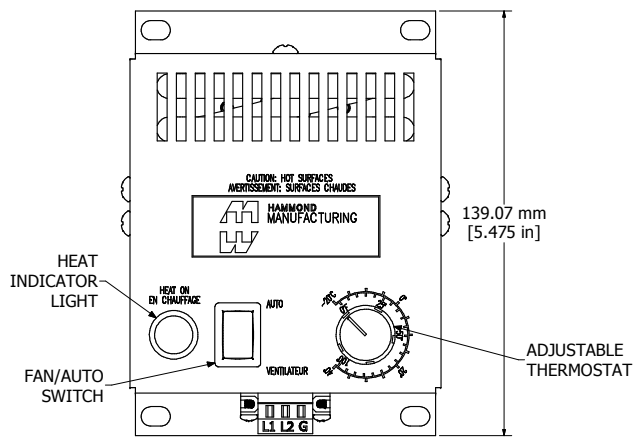
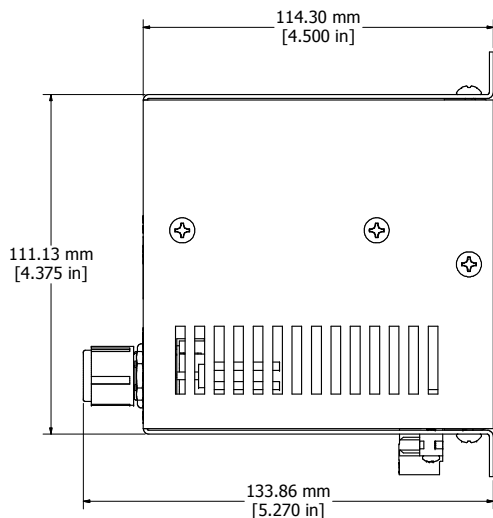


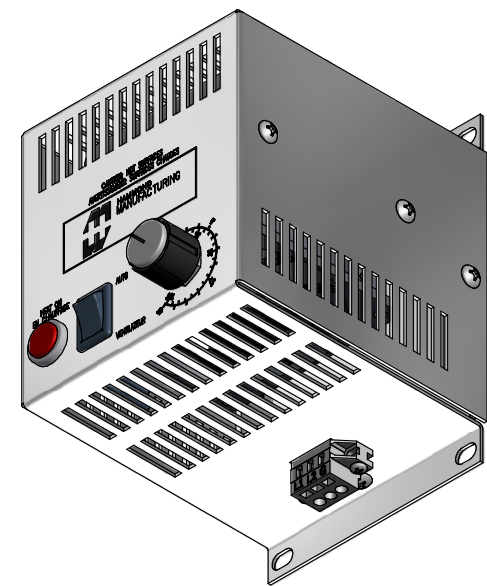
8 7 6 5 4 3 2 1



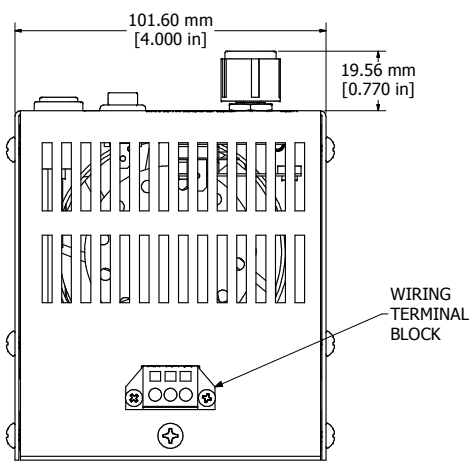
ASSEMBLY - VIEW FROM FRONT



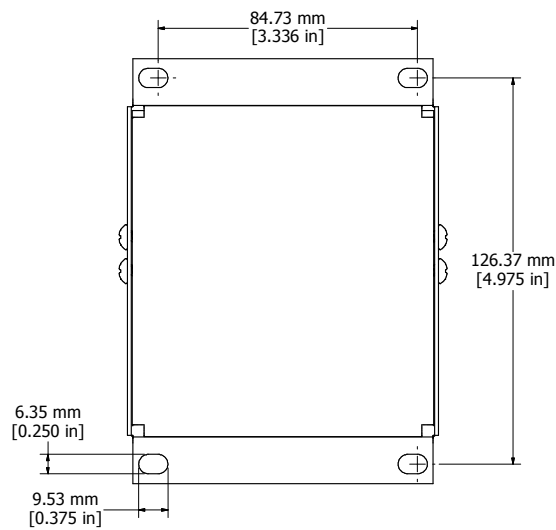
ASSEMBLY - VIEW FROM SIDE



ISOMETRIC VIEW



ASSEMBLY - VIEW FROM BOTTOM



ASSEMBLY - VIEW FROM BACK

<b>FLHTF200A230</b>
Housing - Aluminum Alloy
Rating - 220/240 VAC, 50/60 Hz, 165/200 W
Approvals - UL Recognized Standard UL 508A - CSA Standard C22.2 No. 88

**HAMMOND MANUFACTURING™**  
**FLHTF200A230**  
[www.hammondmfg.com](http://www.hammondmfg.com)

8 7 6 5 4 3 2 1