

## Type 12 Mild Steel Junction Box *1414 PH Series*

Continuous Hinge Door with Clamps



### Application

- Designed for use as instrument enclosures, electric, hydraulic or pneumatic control housings, electrical junction boxes or terminal wiring enclosures.
- Provides a degree of protection from falling dirt, dust, oil and water.

### Standards

- UL 508 Type 12, 13
- CSA Type 12, 13
- Complies with
  - NEMA Type 12 and 13
  - JIC EGP-1-1967 unless marked<sup>1</sup>
  - IEC 60529, IP54

### Construction

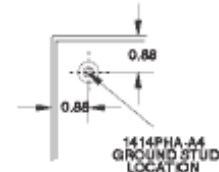
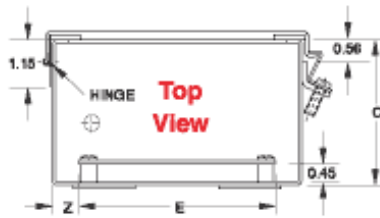
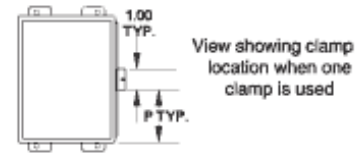
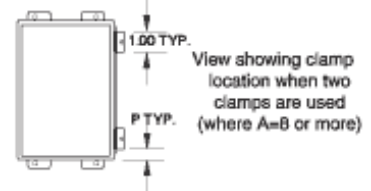
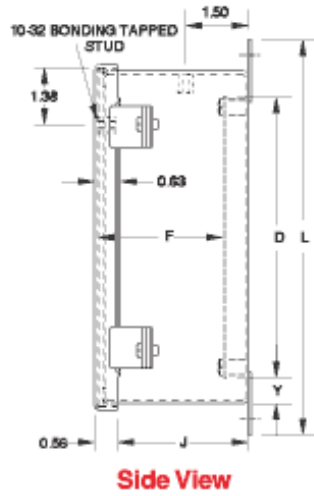
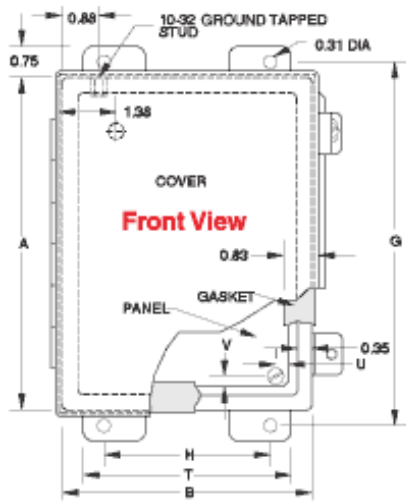
- Body formed from 16 gauge or 14 gauge steel. Covers are formed from 14 gauge steel.
- Smooth, continuously welded seams without knockouts, cutouts or holes.
- Welded brackets provide for enclosure mounting.
- Continuously hinged cover is secured with stainless steel clamps and plated steel screws.
- Seamless poured-in place gasket.
- Models larger than 4" x 4" include a removable 14 gauge inner panel.
- Internal threaded weld studs are provided for mounting inner panels.
- A bonding stud is provided on the door and a grounding stud is provided in the enclosure.

### Finish

- Cover and enclosure are phosphatized and finished in ANSI 61 gray recoatable powder coating.
- Removable inner panel is finished in white powder coating.

### Accessories

- Inner Panels
- Door Clamping Hardware
- Heaters
- Terminal Kit Assemblies
- Swing Panel Kit
- Ventilation
- Filtered Fans
- Type 1 Louvered Ventilating Plates
- Temperature Controls
- Ground Wire Kits



Part No. w/ Inner Panel	Part No. w/o Inner Panel	A	B	C	D	E	F	G	H	J	L	P	T	U	V	Y	Z	Ship	Ship
																		Wt. (lbs)	Wt. (lbs)
																		Inner	Inner
																		Panel	Panel
-	1414PHA <sup>1</sup>	4.00	4.00	3.00	-	-	-	4.75	2.00	2.64	5.50	1.50	3.00	-	-	-	-	-	2
1414PHC <sup>1</sup>	1414PHCLP <sup>1</sup>	6.00	4.00	3.00	4.88	2.88	2.51	6.75	2.00	2.64	7.50	2.50	3.00	0.31	0.31	0.56	0.56	3	2
1414PHG	1414PHGLP	8.00	6.00	3.50	6.75	4.88	31.00	8.75	4.00	3.14	9.50	1.00	5.00	0.31	0.25	0.63	0.56	6	5
1414PHRG	1414PHRGLP	6.00	8.00	3.50	4.88	6.75	31.00	6.75	6.00	3.14	7.50	2.50	7.00	0.25	0.31	0.56	0.63	6	5
-	1414PHA <sup>4</sup>	4.00	4.00	4.00	-	-	-	4.75	2.00	3.64	5.50	1.50	3.00	-	-	-	-	-	3
1414PHC <sup>4</sup>	1414PHC4LP <sup>1</sup>	6.00	4.00	4.00	4.88	2.88	3.51	6.75	2.00	3.64	7.50	2.50	3.00	0.31	0.31	0.56	0.56	4	3
1414PHE	1414PHELP	6.00	6.00	4.00	4.88	4.88	3.51	6.75	4.00	3.64	7.50	2.50	5.00	0.31	0.31	0.56	0.56	5	4
1414PHH <sup>4</sup>	1414PHH4LP	8.00	8.00	4.00	6.75	6.88	3.51	8.75	6.00	3.64	9.50	1.00	7.00	0.31	0.25	0.63	0.56	8	7
1414PHI	1414PHILP	10.00	8.00	4.00	8.75	6.88	3.51	1.75	6.00	3.64	11.50	1.00	7.00	0.31	0.25	0.63	0.56	1	8
1414PHRI	1414PHRILP	8.00	10.00	4.00	6.88	8.75	3.51	8.75	8.00	3.64	9.50	1.00	9.00	0.25	0.31	0.56	0.63	1	8
1414PHKC <sup>4</sup>	1414PHKC4LP	12.00	6.00	4.00	10.75	4.88	3.51	12.75	4.00	3.64	13.50	1.00	5.00	0.31	0.25	0.63	0.56	10	8
1414PHK	1414PHKLP	12.00	10.00	5.00	10.75	8.88	4.51	12.75	8.00	4.64	13.50	1.00	9.00	0.31	0.25	0.63	0.56	13	10
1414PHRK	1414PHRKLP	10.00	12.00	5.00	8.88	10.75	4.51	1.75	10.00	4.64	11.50	1.00	11.00	0.25	0.31	0.56	0.63	13	12
1414PHG <sup>6</sup>	1414PHG6LP	8.00	6.00	6.00	6.75	4.88	5.51	8.75	4.00	5.64	9.50	1.00	5.00	0.31	0.25	0.63	0.56	8	7
1414PHI <sup>6</sup>	1414PHI6LP	10.00	8.00	6.00	8.75	6.88	5.51	1.75	6.00	5.64	11.50	1.00	7.00	0.31	0.25	0.63	0.56	12	10
1414PHJ <sup>6</sup>	1414PHJ6LP	10.00	10.00	6.00	8.75	8.88	5.51	1.75	8.00	5.64	11.50	1.00	9.00	0.31	0.25	0.63	0.56	14	12
1414PHL <sup>6</sup>	1414PHL6LP	12.00	12.00	6.00	10.75	10.88	5.51	12.75	10.00	5.64	13.50	1.00	11.00	0.31	0.25	0.63	0.56	17	15
1414PHMH <sup>6</sup>	1414PHMH6LP	14.00	8.00	6.00	12.75	6.88	5.51	14.75	6.00	5.64	15.50	1.00	7.00	0.31	0.25	0.63	0.56	12	10
1414PHM <sup>6</sup>	1414PHM6LP	14.00	12.00	6.00	12.75	10.88	5.51	14.75	10.00	5.64	15.50	1.00	11.00	0.31	0.25	0.63	0.56	19	17
1414PHRM <sup>6</sup>	1414PHRM6LP	12.00	14.00	6.00	10.88	12.75	5.51	12.75	12.00	5.64	13.50	1.00	13.00	0.25	0.31	0.56	0.63	19	17
1414PHN <sup>6</sup>	1414PHN6LP	16.00	10.00	6.00	14.75	8.88	5.51	16.75	8.00	5.64	17.50	1.00	9.00	0.31	0.25	0.63	0.56	18	15
1414PHO <sup>6</sup>	1414PHO6LP	16.00	14.00	6.00	14.75	12.88	5.51	16.75	12.00	5.64	17.50	1.00	13.00	0.31	0.25	0.63	0.56	23	21
1414PHRO <sup>6</sup>	1414PHRO6LP	14.00	16.00	6.00	12.88	14.75	5.51	14.75	14.00	5.64	15.50	1.00	15.00	0.25	0.31	0.56	0.63	23	21
1414PHK <sup>8</sup>	1414PHK8LP	12.00	10.00	8.00	10.75	8.88	7.51	12.75	8.00	7.64	13.50	1.00	9.00	0.31	0.25	0.63	0.56	18	15
1414PHM <sup>8</sup>	1414PHM8LP	14.00	12.00	8.00	12.75	10.88	7.51	14.75	10.00	7.64	15.50	1.00	11.00	0.31	0.25	0.63	0.56	20	18
1414PHO <sup>8</sup>	1414PHO8LP	16.00	14.00	8.00	14.75	12.88	7.51	16.75	12.00	7.64	17.50	1.00	13.00	0.31	0.25	0.63	0.56	25	22
1414PHO <sup>10</sup>	1414PHO10LP	16.00	14.00	10.00	14.75	12.88	9.51	16.75	12.00	9.64	17.50	1.00	13.00	0.31	0.25	0.63	0.56	26	23

<sup>1</sup> Does not meet JIC Requirements

*Data subject to change without notice*

© 2017. Hammond Manufacturing Ltd. All rights reserved.