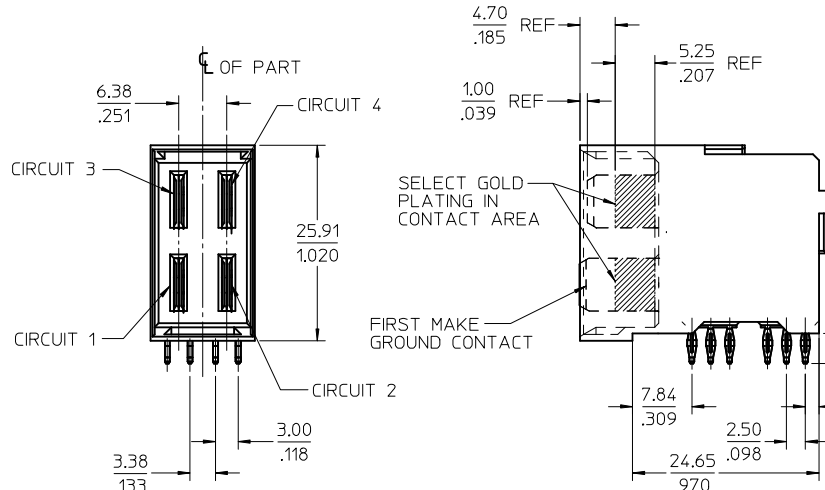
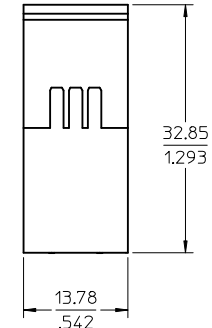
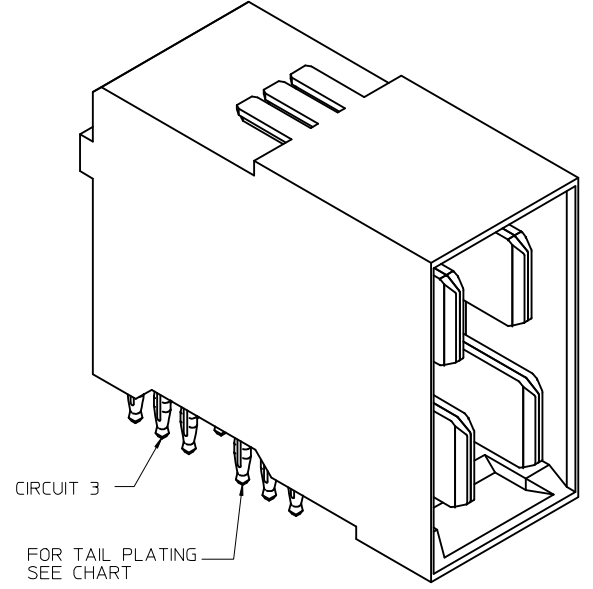


PCB LAYOUT
2.40/.094 MIN THICK



NOTES:

1. MATERIALS:
 - HOUSING: 30% GLASS FILLED, LCP 94V-0, COLOR BLACK
 - TERMINALS: COPPER ALLOY
- PLATING:
 - 0.76 MICROMETER (30 MICROINCH) MINIMUM GOLD IN CONTACT AREA
 - SELECTIVE MATTE TIN ON PCB TAILS
 - NICKEL UNDERPLATE OVERALL
2. PLUG MATES WITH RECEPTACLE ASSEMBLY 46079-10**
3. MODULE IS DESIGNED FOR PRESS FIT TO THE PCB
4. MODULE ASSEMBLY IS RoHS COMPLIANT
5. MODULES TO BE UL & CSA LISTED PER UL-1977
6. AVERAGE INSERTION FORCE INTO PCB IS 8.2 kg/18 lbs PER TAIL
7. PRODUCT PERFORMANCE AND RATING PER PS-75431-****
8. APPLICATION SPEC PER AS-75541-****
9. RECOMMENDED PCB DRILL HOLE DIA 1.180/0465 (#56 DRILL)
10. FOR MODULE CONFIGURATION SEE DRAWING SD-75541-001



| | | | | | | | | | | | |
|---|--------------------------------------|--|--------|-----------------|-------|------------|--------------|------------------------------|--|--|--|
| UPDATE PER ISIR EC NO: 2015/02/17 DRWN: JQUILES CHKD: MBANDURA APPR: APATEL 2015/02/17 2015/02/17 2015/02/17 | QUALITY SYMBOLS ∇=0 ∇=0 ∇=0 | GENERAL TOLERANCES (UNLESS SPECIFIED) | | DIMENSION STYLE | | SCALE | DESIGN UNITS | THIRD ANGLE PROJECTION | | | |
| | | | | MM/IN | | 2:1 | METRIC | | | | |
| | | | | mm | INCH | DRAWN BY | | DATE | | ASSEMBLY - PLUG 4 CIRCUIT - PRESS FIT MULTI PATH molex | |
| | | | | 4 PLACES ± --- | ± --- | JQUILES | | 2005/08/01 | | | |
| | | 3 PLACES ± --- | ± .008 | CHECKED BY | | DATE | | DOCUMENT NO. SD-46081-100 | | | |
| | | 2 PLACES ± 0.20 | ± .013 | MDATA | | 2005/08/04 | | | | | |
| | | 1 PLACE ± 0.33 | ± --- | APPROVED BY | | DATE | | SHEET NO. 1 OF 1 | | | |
| | | 0 PLACE ± | ± | APATEL | | 2005/08/05 | | | | | |
| | | ANGULAR ±1/2° | | MATERIAL NO. | | 46081-1000 | | | | | |
| | | DRAFT WHERE APPLICABLE MUST REMAIN WITHIN DIMENSIONS | | SIZE | | C | | | | | |