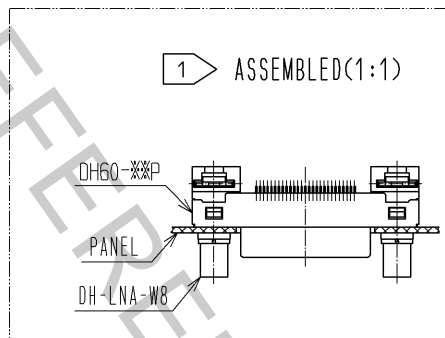


NOTE 1 THIS PRODUCT IS ASSEMBLED TO A "DH60-\*\*P".  
 THE APPLICABLE PANEL THICKNESS IS FROM 0.5 TO 0.8mm.  
 2 THIS PRODUCT IS PACKED IN A BAG. (QUANTITY IN A BAG : 200pcs.)



1	STEEL	OVER PLATING : NICKEL 5μm MIN UNDER PLATING : COPPER 1μm MIN	3	STEEL	OVER PLATING : NICKEL 5μm MIN UNDER PLATING : COPPER 1μm MIN		
NO.	MATERIAL	FINISH , REMARKS	NO.	MATERIAL	FINISH , REMARKS		
UNITS mm		SCALE 4 : 1	COUNT 1	DESCRIPTION OF REVISIONS DIS-E-003059	DESIGNED MO. SHIMOYAMA	CHECKED KN. ICHIKAWA	DATE 09.12.07
HIROSE ELECTRIC CO., LTD.		APPROVED : AO. SUZUKI	09.04.27	DRAWING NO. EDC4-126529-00			
		CHECKED : MO. SHIMOYAMA	09.04.24	PART NO. DH-LNA-W8			
		DESIGNED : TS. ITO	09.04.24	CODE NO. CL244-0004-2-00			
		DRAWN : TS. ITO	09.04.24	1/1			