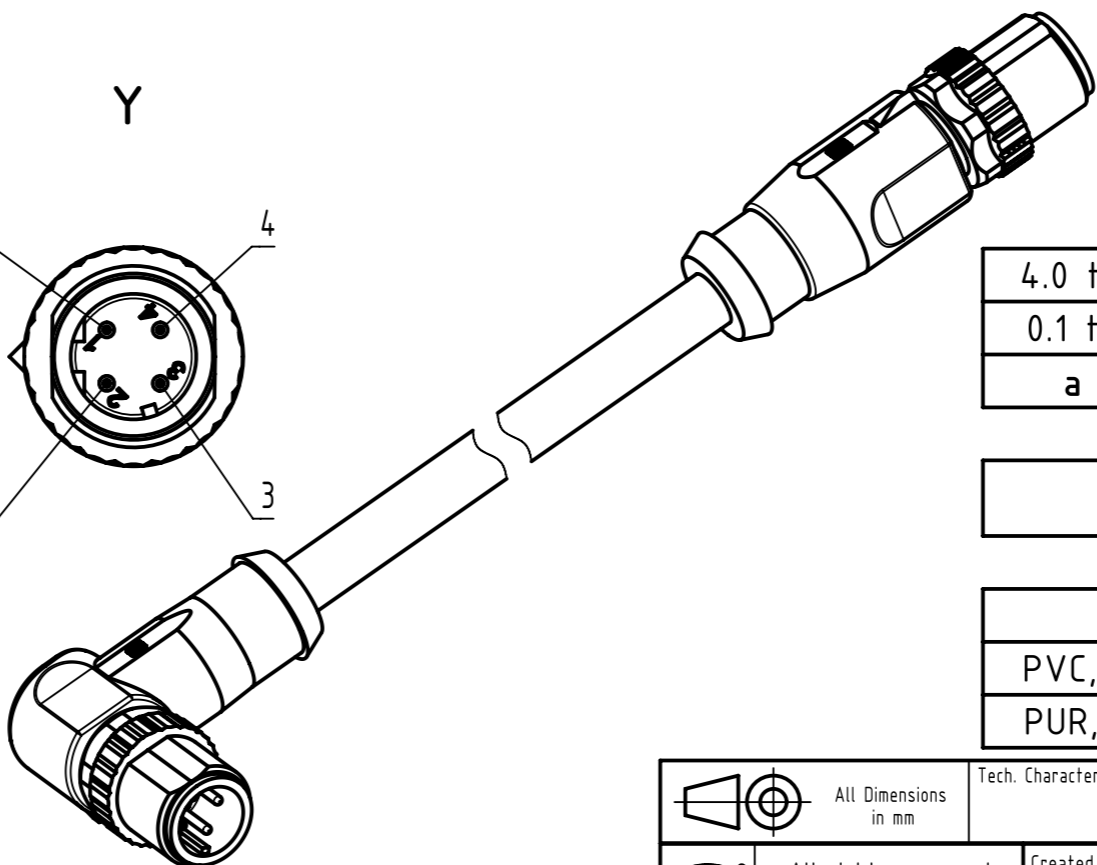
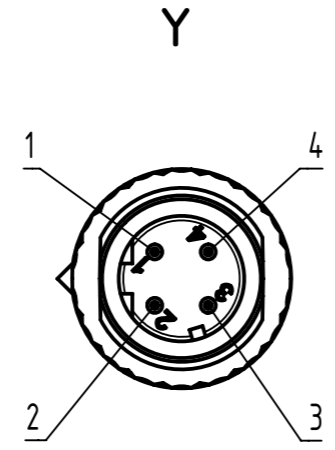
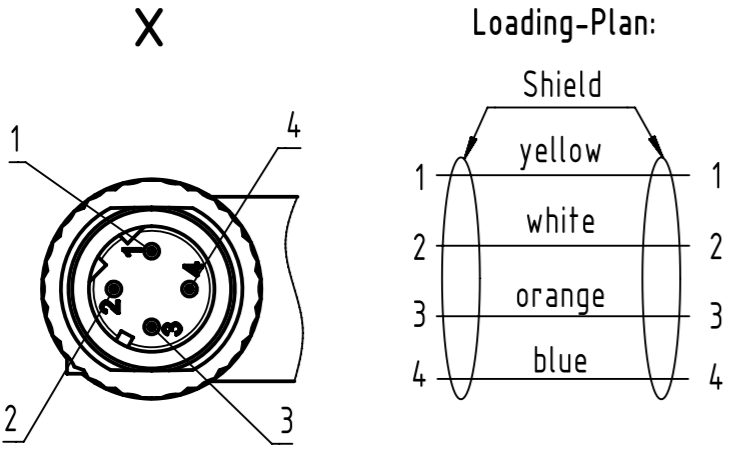
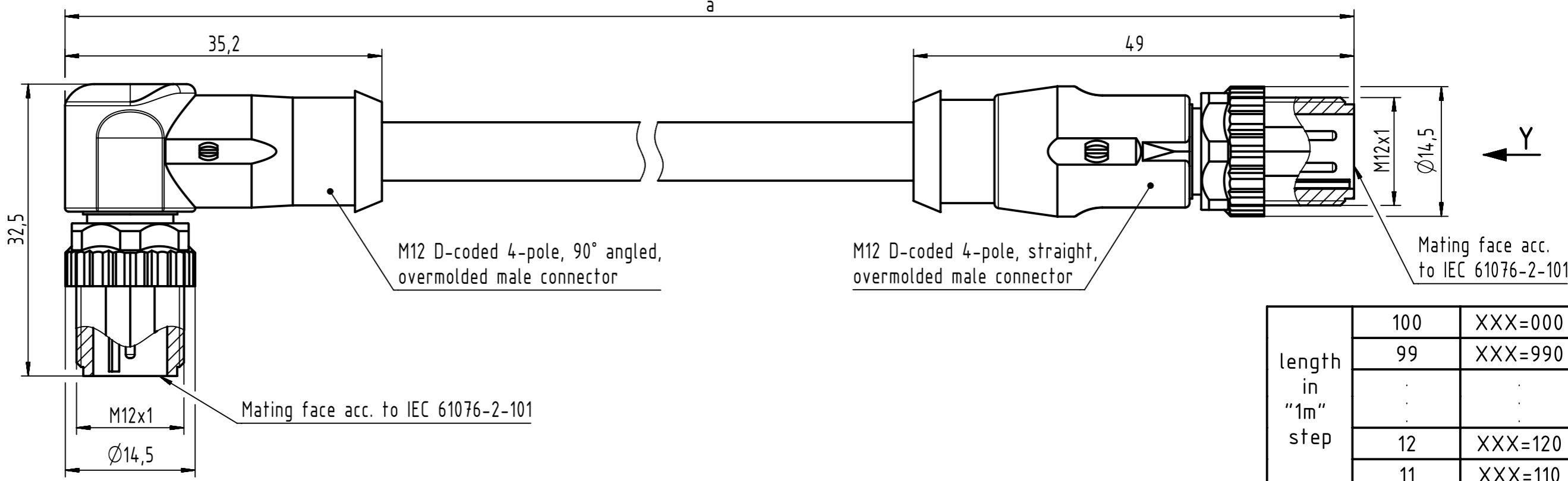


Connector Location A

Connector Location B



length in "1m" step	100	XXX=000
	99	XXX=990
	.	.
	12	XXX=120
	11	XXX=110
length in "0.1m" step	10	XXX=100
	9.9	XXX=099
	9.8	XXX=098
	.	.
	0.4	XXX=004
	0.3	XXX=003
	0.2	XXX=002
	0.1	XXX=001
Step	a [m]	XXX

4.0 to 100	+1%
0.1 to 3.9	+0.04
a [m]	Tolerance

Part no.	213494924XXX
Type of cable	XX
PVC, green, 4xAWG22/7	XX=05
PUR, green, 2x2xAWG22	XX=77

- Protection level: IP 65/67  
 - Temperature range: -30°C ... +70°C

All rights reserved Department HCS - RO HARTING Customised Solutions D-32427 Minden		All Dimensions in mm Tech. Character. Created by MUNTEANV Inspected by POPESCU Title M12 D-coded Cable Assembly Type TB	Free size tol. Standardisation AVRAM Date 2017-04-06 State Final Release Number 213494924XXXXX	According to production drawing Doc-Key / ECM-Nr. 100612499/UGD/000/C 500000117781 Rev. C Page 1/1
--	--	--	--	---