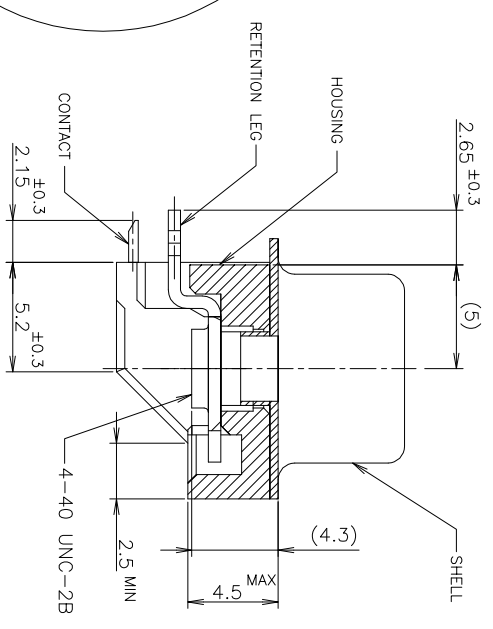
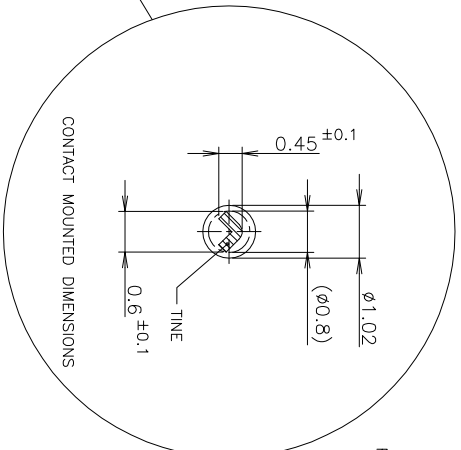
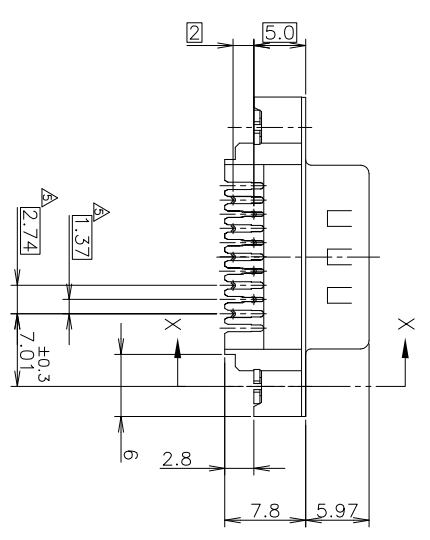
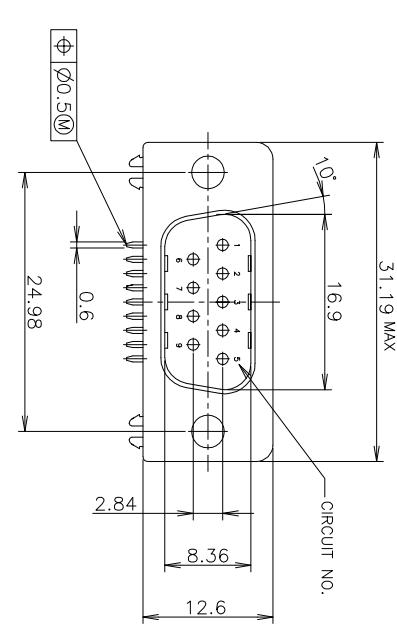
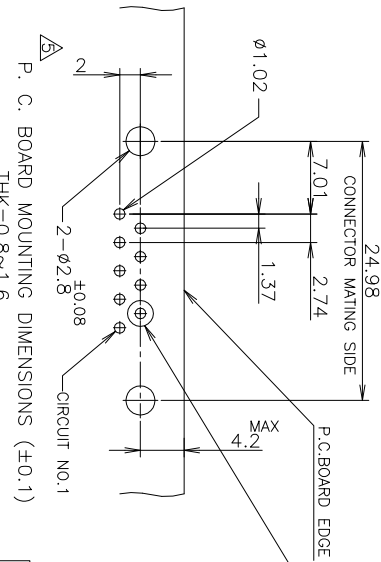


4	3	2	1
LOC	DIST	REV	DATE
J			
P	LTR	DESCRIPTION	DATE
0	0	RELEASED (ECR-05-001155)	5APR95
			L.Z I.E

- THESE PRODUCTS CONFORM AMP SPEC 108-5400.
- MATERIAL HOUSING: THERMOPLASTEC SHELL: CARBON STEEL CONTACT: COPPER ALLOY RETENTION LEG: COPPER ALLOY
- FINISH CONTACT: GOLD PL. SHELL: TIN PL. RETENTION LEG: TIN PL.
- SCREWLOCK OR SCREW MUST BE ASSEMBLED BEFORE RECEPTACLE CONNECTOR MATING. (SCREW ON TORQUE: 5kg-cm(MAX) P. C. BOARD MOUNTING DIMENSION CONFORM MIL SPEC. (MS-18273))



Au: 0.00076 MIN.	-9
Au: 0.00038 MIN.	-6
Au: FLASH	5177597-3
FINISH	P/N



THIS DRAWING IS A CONTROLLED DOCUMENT.

GENERAL TOLERANCE

10 ≥ : ±0.2
 30 ≥ > 10 : ±0.25
 100 ≥ > 30 : ±0.3
 ANGLES : ±3°

DIMENSIONS:	TOLERANCES UNLESS OTHERWISE SPECIFIED:
0 P.L.C	±
1 P.L.C	±
2 P.L.C	±
3 P.L.C	±
4 P.L.C	±
ANGLES	±

tyco Electronics
 Tyco Electronics AMP K.K.
 Kawasaki, Japan

DMN: LEO ZHOU
 CHK: STEVEN YAO

APRD: LENDOMOTO
 PRODUCT SPEC
 APPLICATION SPEC

SIZE: A3
 CASE CODE: 00779
 DRAWING NO: 5177597

PLUG ASSY RIGHT ANGLE SIZE 1, 9P
 LOW PROFILE STD-D P.C.B t=0.8~1.6 DIP
 AMP/PLMITE III-J ULTRA SLIM HD-20

CUSTOMER DRAWING