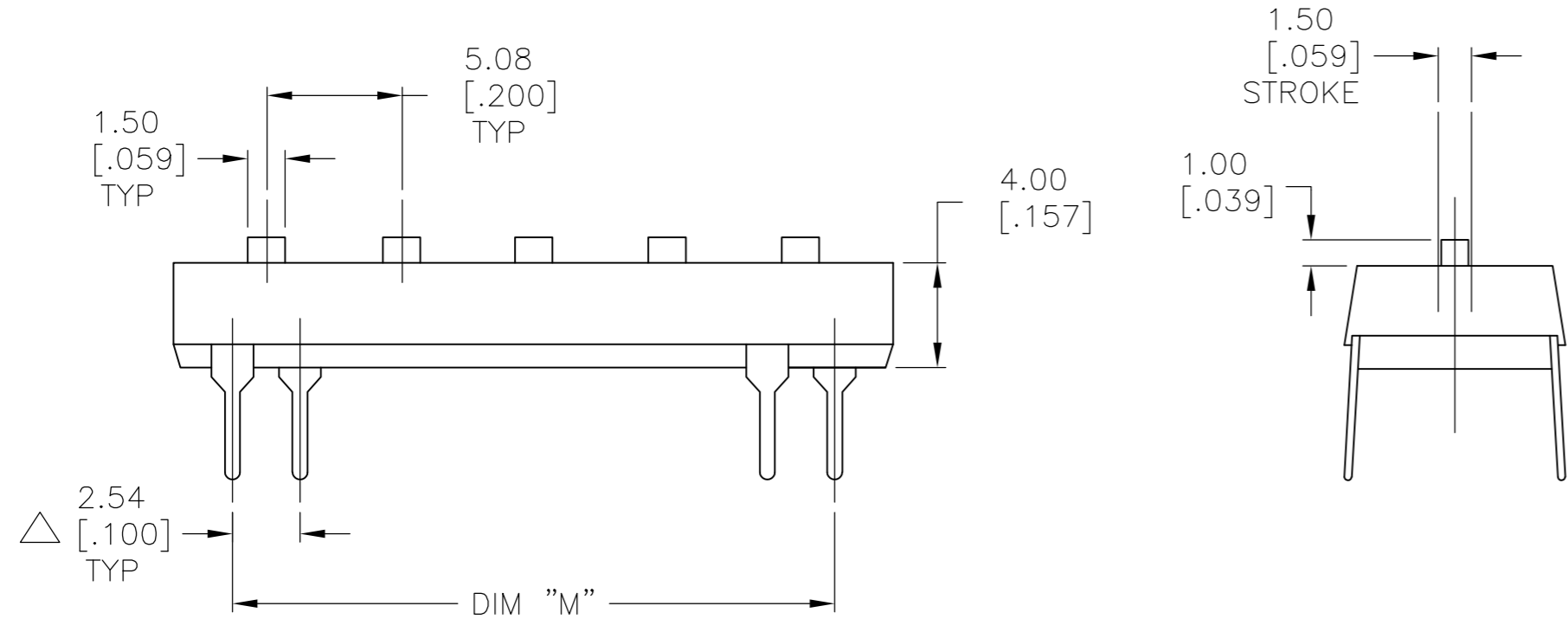
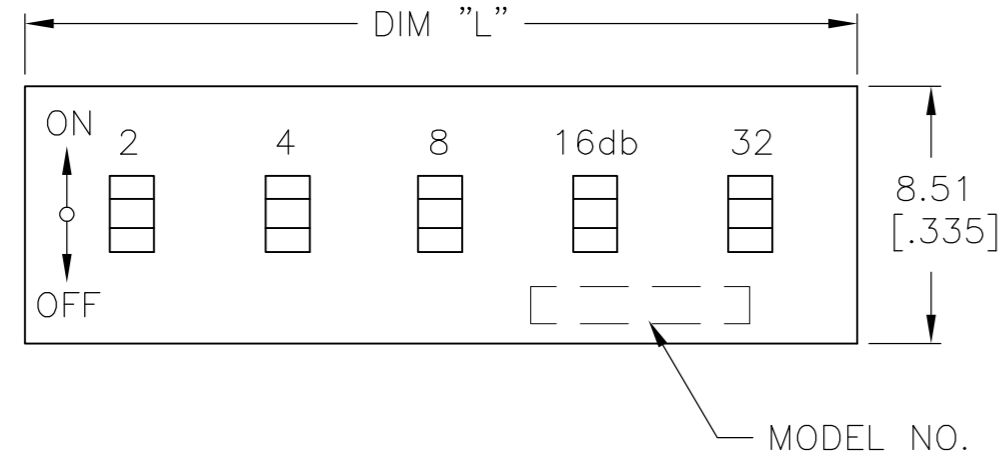


THIS DRAWING IS UNPUBLISHED. RELEASED FOR PUBLICATION
 © COPYRIGHT BY TYCO ELECTRONICS CORPORATION. ALL RIGHTS RESERVED.

LOC		DIST		REVISIONS			
P	LTR	DESCRIPTION	DATE	DWN	APVD		
	B	ECO 07-020114	28AUG07	MB	MS		
	B1	REVISED PER ECO-09-024927	07NOV09	KK	AEG		



SEE SHEET 2 FOR TERMINAL TYPES AND DIMENSIONS

SPECIFICATIONS:

MATERIAL:

BASE, PBT UL94V-0, SEE P/N TABLE
 COVER, PBT UL94V-0, SEE P/N TABLE
 ACTUATOR, PBT UL94V-0, WHITE
 FIXED CONTACT/TERMINAL, COPPER ALLOY, PLATE-GOLD/NICKEL
 MOVING CONTACT, COPPER ALLOY, PLATE-GOLD/NICKEL

ELECTRICAL:

CONTACT RATING SWITCHING, 0.4 VA @ 20V DC
 INITIAL CONTACT RESISTANCE, 50 MILLIOHMS MAX.
 INSULATION RESISTANCE, 100 MEGOHMS MIN. @ 100V DC.
 DIELECTRIC STRENGTH, 500V AC RMS @ SEA LEVEL
 LIFE, 5,000 CYCLES

MECHANICAL:

OPERATING FORCE, LESS THAN 800 GRAMS
 TRAVEL, .059

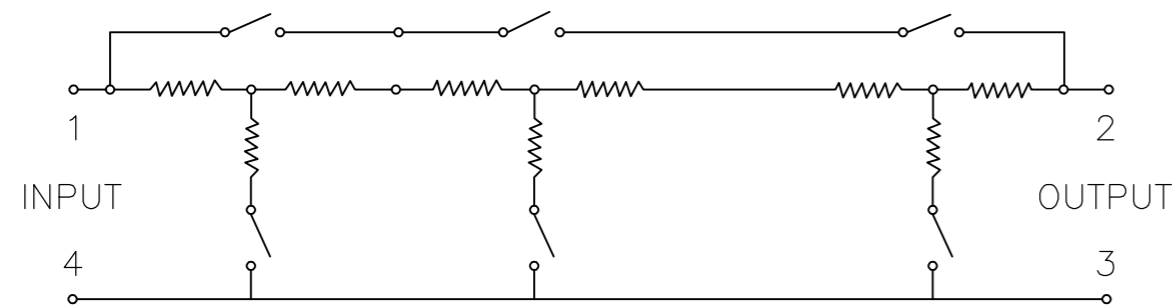
ENVIRONMENTAL:

OPERATING TEMPERATURE: -30 TO +85 DEGREES C
 STORAGE TEMPERATURE: -45 TO +100 DEGREES C
 CLEANING, AQUEOUS OR SOLVENT
 SOLDER HEAT RESISTANCE, PER 109-202, CONDITION B
 SOLDERABILITY- PER JIS-C-0050 & JIS-C-00053

NOTES:

1. ALL MATERIALS AND FINISHES SHALL COMPLY WITH EU DIRECTIVE 2002/95/EC OF 27JAN2003 (ROHS)

⚠ OBSOLETE PARTS: OBSOLETE CIS STREAMLINING PER D.RENAUD/D.SINISI



CIRCUIT: T TYPE UNBALANCED (SWITCH IN CENTER NEUTRAL POSITION)

OBSOLETE
 ⚠

ORANGE	3-9db +/- .10db	5MHz	75 Ohm	50mW	0.700	0.876	4	ATT475C04	1825284-3
ORANGE	3-9db +/- .10db	5MHz	75 Ohm	50mW	0.900	1.076	5	ATT575C04	1825284-2
BLACK	25-30db +/- .35db	200kHz	600 Ohm	50mW	0.900	1.076	5	ATT5600C04	1825284-1
CASE/COVER COLOR	db RANGE TOLERANCE	FREQUENCY	IMPEDANCE	RATED POWER	DIM "M"	DIM "L"	NUMBER OF POSN.	T&B P/N	TE P/N

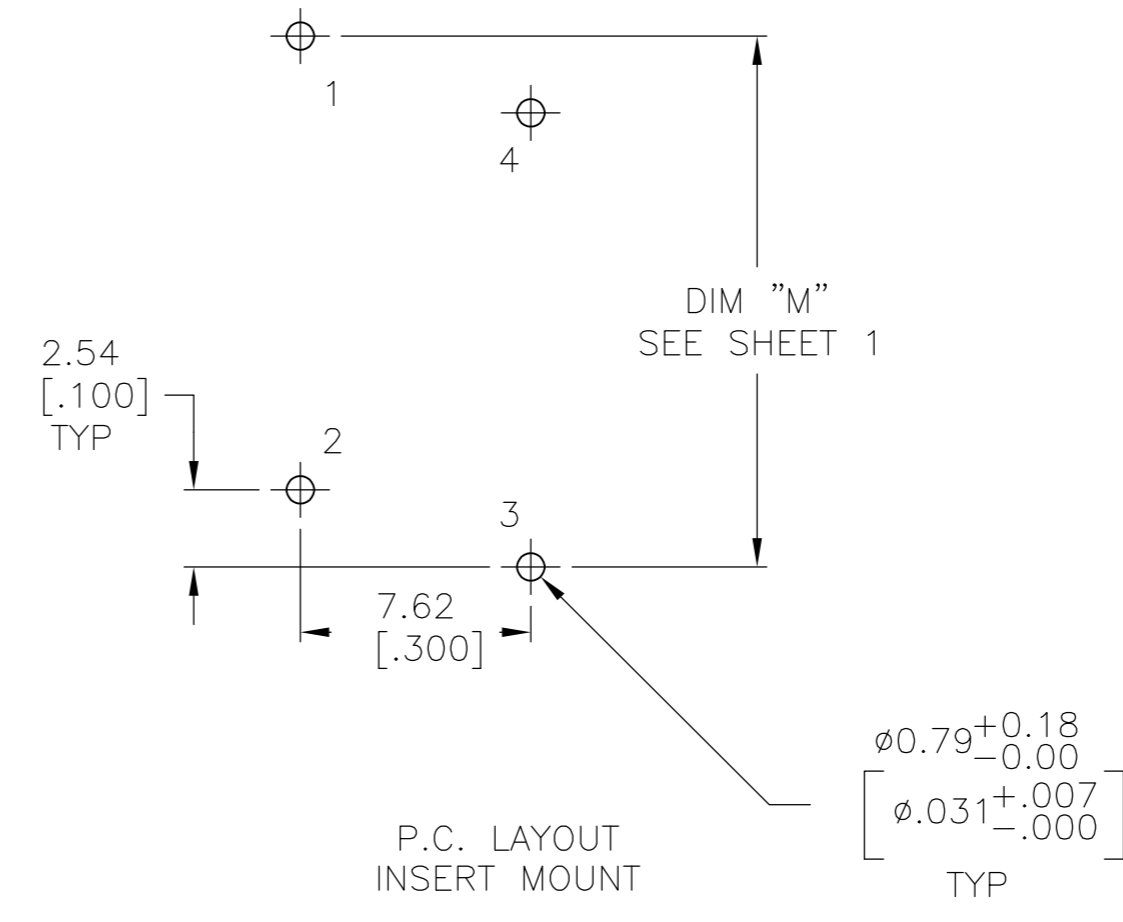
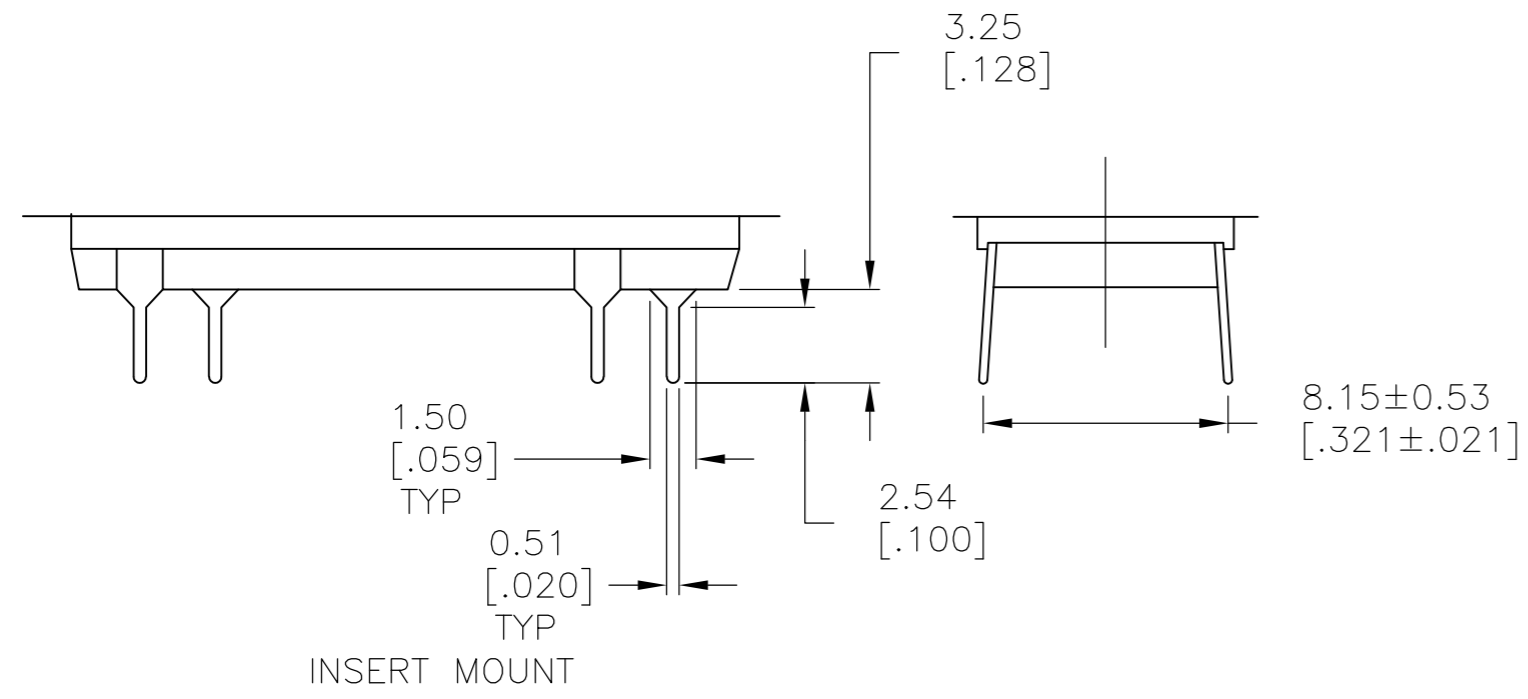
THIS DRAWING IS A CONTROLLED DOCUMENT.		DWN	07AUG86	Tyco Electronics Corporation Harrisburg, Pa 17105-3608
DIMENSIONS: mm [INCHES]		CHK	07JUL88	
TOLERANCES UNLESS OTHERWISE SPECIFIED:		PS		NAME
0 PLC ± -		APVD	-	
1 PLC ± -		PRODUCT SPEC		ATT SERIES DIP SWITCH
2 PLC ± .01		APPLICATION SPEC		
3 PLC ± -				SIZE
4 PLC ± -				CAGE CODE
ANGLES ± 1°				DRAWING NO
FINISH				RESTRICTED TO
MATERIAL SEE SPECIFICATION		WEIGHT	-	A2 00779 C=1825284
		CUSTOMER DRAWING		SCALE 4:1 SHEET 1 OF 2 REV B1

1825284

A

THIS DRAWING IS UNPUBLISHED. RELEASED FOR PUBLICATION
 © COPYRIGHT BY TYCO ELECTRONICS CORPORATION. ALL RIGHTS RESERVED.

LOC		DIST		REVISIONS			
P	LTR	DESCRIPTION	DATE	DWN	APVD		
-	-	SEE SHEET 1	-	-	-		



THIS DRAWING IS A CONTROLLED DOCUMENT.		DWN CMM	07AUG86	Tyco Electronics Corporation Harrisburg, Pa 17105-3608	
DIMENSIONS: mm [INCHES]		CHK PS	07JUL88		
TOLERANCES UNLESS OTHERWISE SPECIFIED:		APVD -	PRODUCT SPEC -	NAME ATT SERIES DIP SWITCH	
0 PLC ± - 1 PLC ± - 2 PLC ± - 3 PLC ± .010 4 PLC ± - ANGLES ± 1°		APPLICATION SPEC -	WEIGHT -	SIZE A2	CAGE CODE 00779
MATERIAL SEE SPECIFICATION		FINISH -	CUSTOMER DRAWING	DRAWING NO C=1825284	RESTRICTED TO -
			SCALE 4:1	SHEET 2	OF 2
			REV B1		

1825284