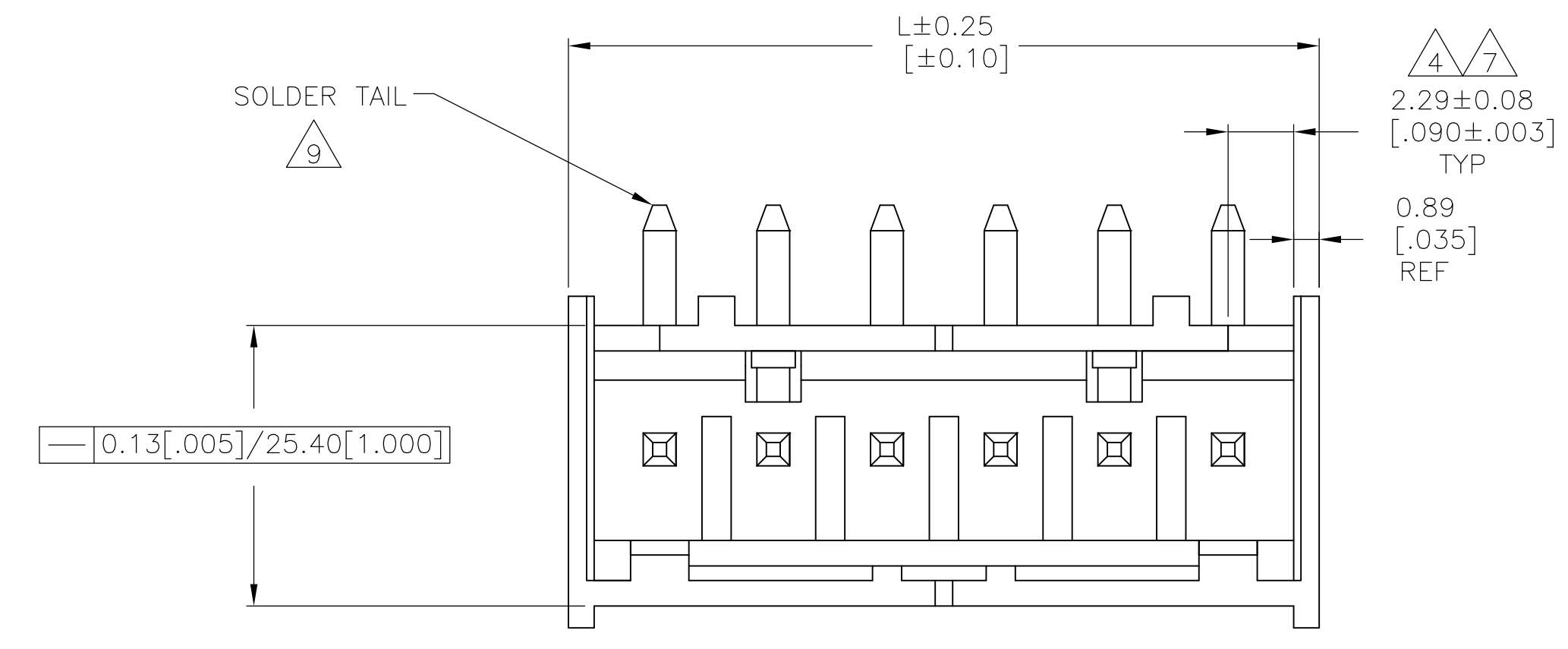
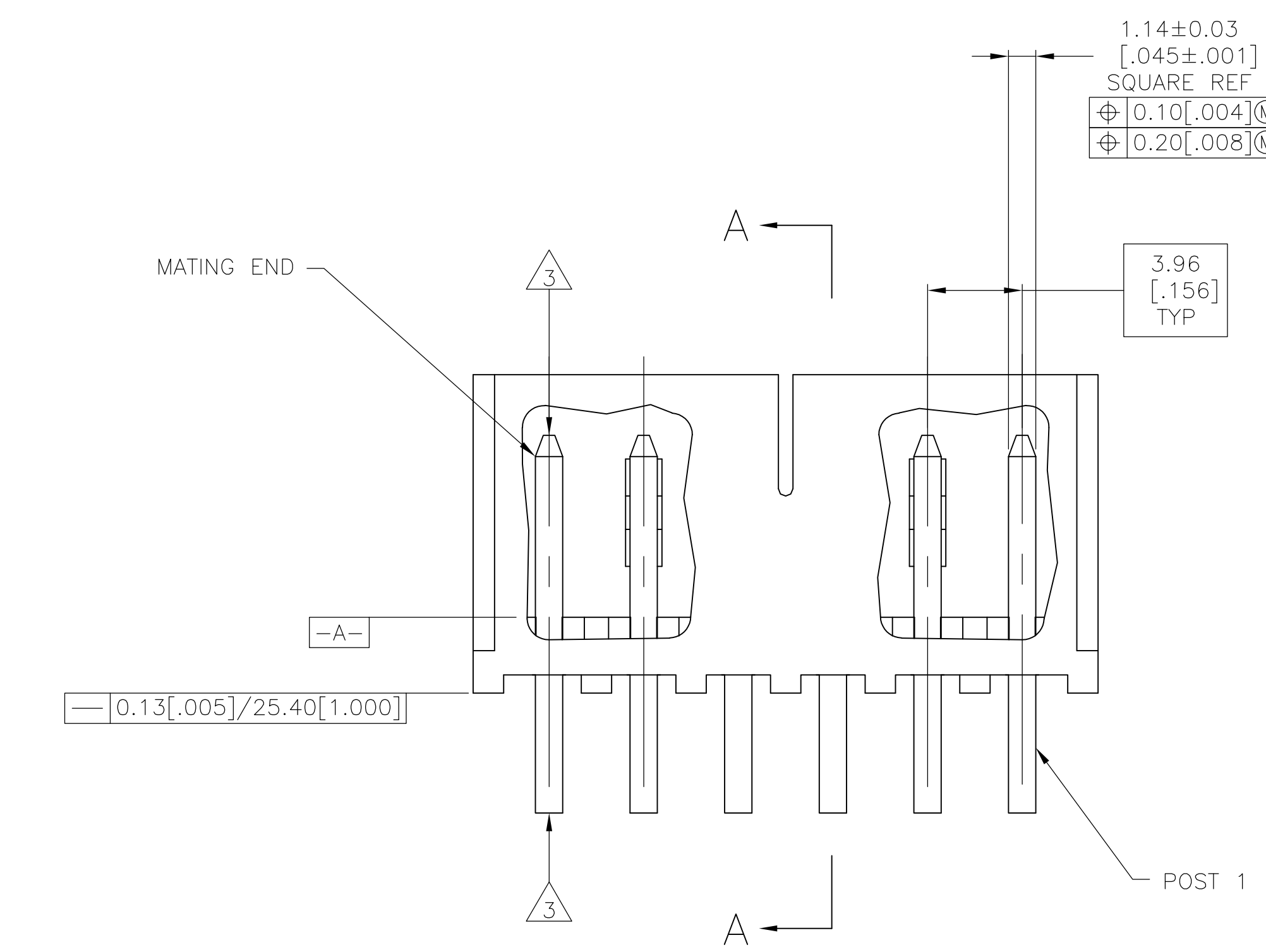


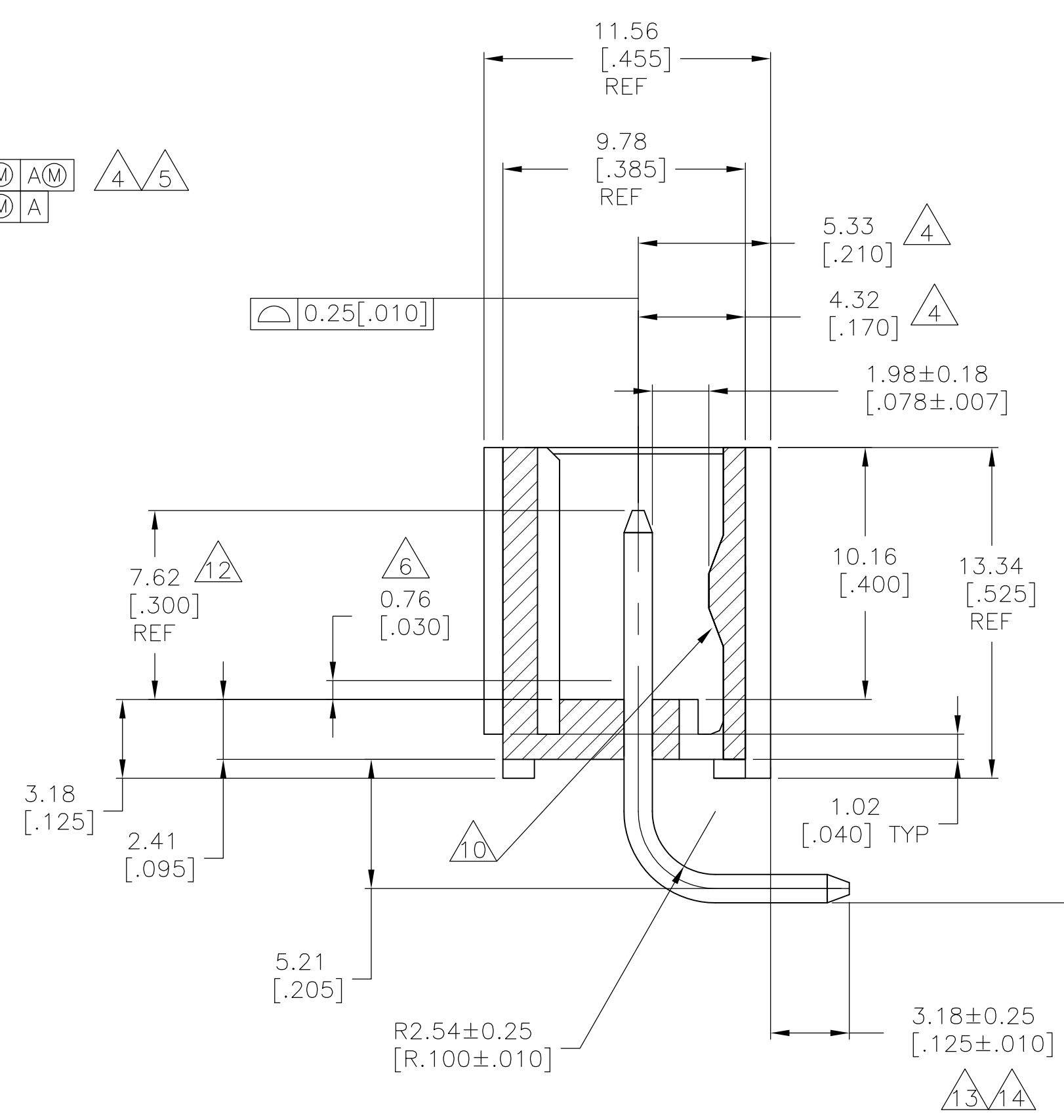
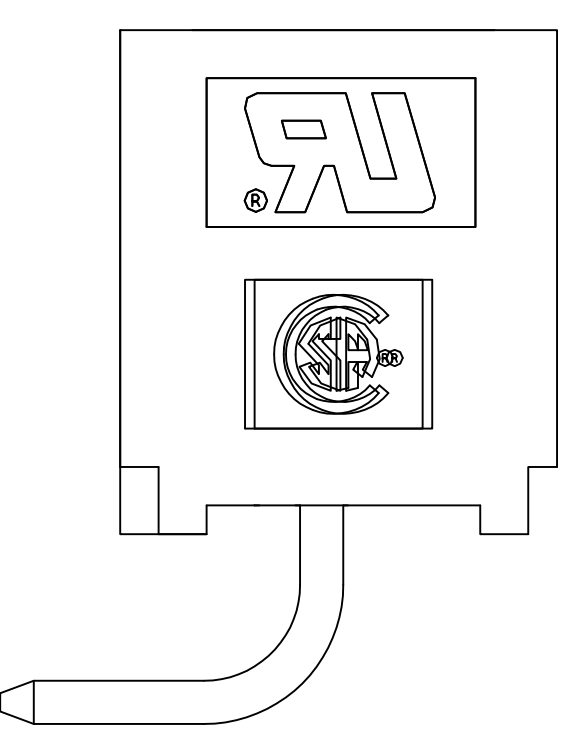
REVISONS		DATE	BY	APPV
E	REVISED PER ECO-11-015326	18OCT11	KH	SM



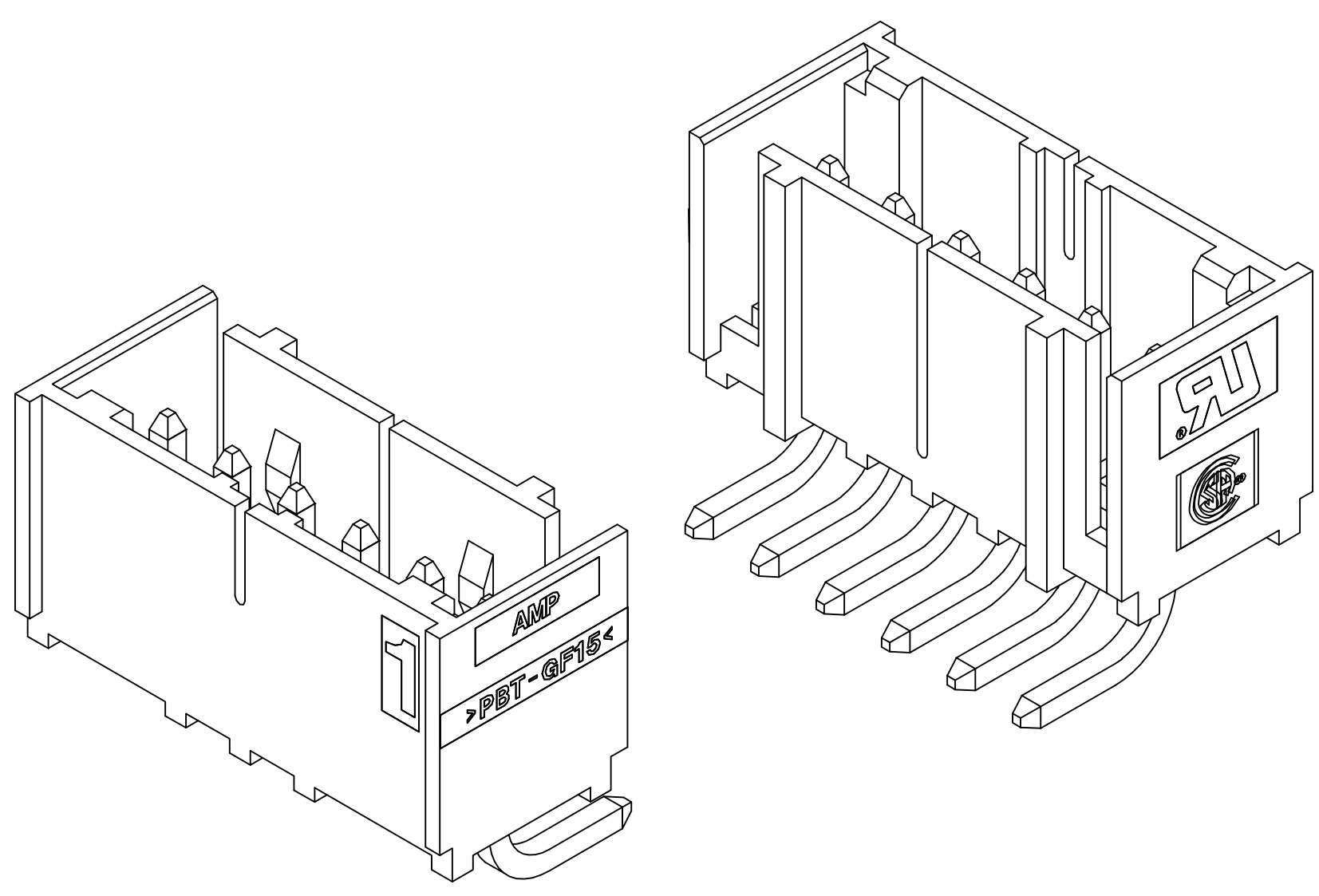
4 7
2.29±0.08
[.090±.003]
TYP
0.89
[.035]
REF



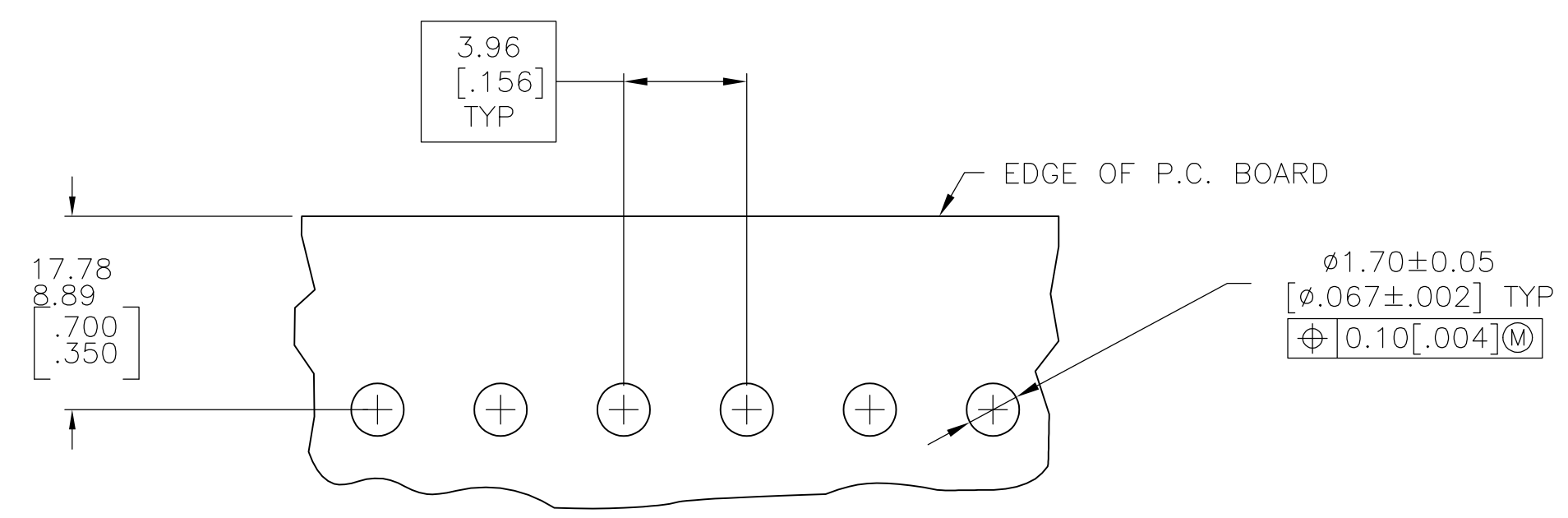
1.14±0.03
[.045±.001]
SQUARE REF
0.10[.004] M A
0.20[.008] M A



SECTION A-A



3-DIMENSIONAL MODEL NTS



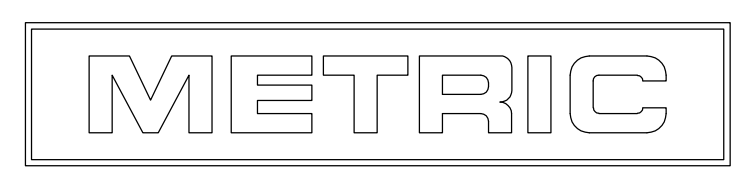
RECOMMENDED MOUNTING HOLE PATTERN FOR 1.57[.062] THICK P.C. BOARD

- 1 MATERIAL: HOUSING - THERMOPLASTIC POLYESTER, GLASS FILLED, UL94-0. POST - COPPER ALLOY
- 2 FINISH: HOUSING - BLACK POST - SEE NOTES 12, 13 AND 14 FOR PLATING.
- 3 POST TO WITHSTAND 3LBS (16N) MIN AXIAL FORCE IN THIS DIRECTION WITHOUT DISLODGING.
- 4 APPLIES AT
- 5 APPLIES WHEN HEADER IS STRAIGHT.
- 6 PLASTIC PROJECTIONS PERMITTED IN THIS ZONE.
- 7 COORDINATE DIMENSIONS APPLIES FROM CENTER OF ACTUAL FEATURE.
- 8 SOLDER SIDE OF BOARD IS SHOWN.
- 9 POST SOLDERTAIL MUST COMPLY WITH AMP SOLDERABILITY SPEC 109-11-2.
- 10 LATCH DETENT FEATURE APPEARS 1 PLACE ON EACH END OF PART (MAX OF 2 PER PART) ON ALL POSITIONS 4 THRU 12. THE LATCH APPEARS ONLY ONE PLACE ON 2 & 3 POSITION PARTS.
- 11 DIMENSIONS IN BRACKETS ARE IN INCHES.
- 12 PLATING: GOLD PLATE AREA, 0.00076 [0.00030] GOLD OR 0.00008 [0.00003] MIN GOLD FLASH OVER 0.00068 [0.00027] PALLADIUM NICKEL, PER TE CONNECTIVITY'S DISCRETION, ALL SIDES, OVER NICKEL UNDERPLATE, .00127 [0.00050] MIN, ALL SIDES AND ENTIRE LENGTH OF POST.
- 13 BRIGHT TIN LEAD (93/7) PLATE AREA 0.00381 - 0.0089 [0.00150 - 0.00350] ALL FOUR SIDES, 3.18 [0.125] MIN..
- 14 MATTE TIN PLATE AREA 0.00381 - 0.0089 [0.00150 - 0.00350] ALL FOUR SIDES, 3.18 [0.125] MIN..
- 15 OBSOLETE PARTS: OBSOLETE CIS STREAMLINING PER D.RENAUD/D.SINISI

PLATING	MM	IN	NO OF POSN	PART NUMBER
				49.94 1.966 12 3-647134-2
				45.97 1.810 11 3-647134-1
				42.01 1.654 10 3-647134-0
				38.05 1.498 9 2-647134-9
				34.09 1.342 8 2-647134-8
				30.12 1.186 7 2-647134-7
				26.16 1.030 6 2-647134-6
				22.20 .874 5 2-647134-5
				18.24 .718 4 2-647134-4
				14.27 .562 3 2-647134-3
				10.31 .406 2 2-647134-2
				49.94 1.966 12 1-647134-2
				45.97 1.810 11 1-647134-1
				42.01 1.654 10 1-647134-0
				38.05 1.498 9 647134-9
				34.09 1.342 8 647134-8
				30.12 1.186 7 647134-7
				26.16 1.030 6 647134-6
				22.20 .874 5 647134-5
				18.24 .718 4 647134-4
				14.27 .562 3 647134-3
				10.31 .406 2 647134-2

647134-6 SHOWN

15 SUPERSEDED



THIS DRAWING IS A CONTROLLED DOCUMENT.

DIMENSIONS: mm [INCHES]	TOLERANCES UNLESS OTHERWISE SPECIFIED:	DIN B LEWIS 6-17-98	APPROV D CLARK 6-17-98
0 PLC ± -	1 PLC ± -	2 PLC ± -	3 PLC ± .005
4 PLC ± -	ANGLES ± -		

MATERIAL: FINISH: WEIGHT: CUSTOMER DRAWING

SCALE: 1:1 SHEET 1 OF 1 REV E

TE Connectivity
MTA-156 SHROUDED HEADER ASSEMBLY, RIGHT ANGLE REAR BEND .045 SQUARE POST, 0.00030 GOLD, W/O RETENTION PEG

SIZE: A1 00779 C=647134