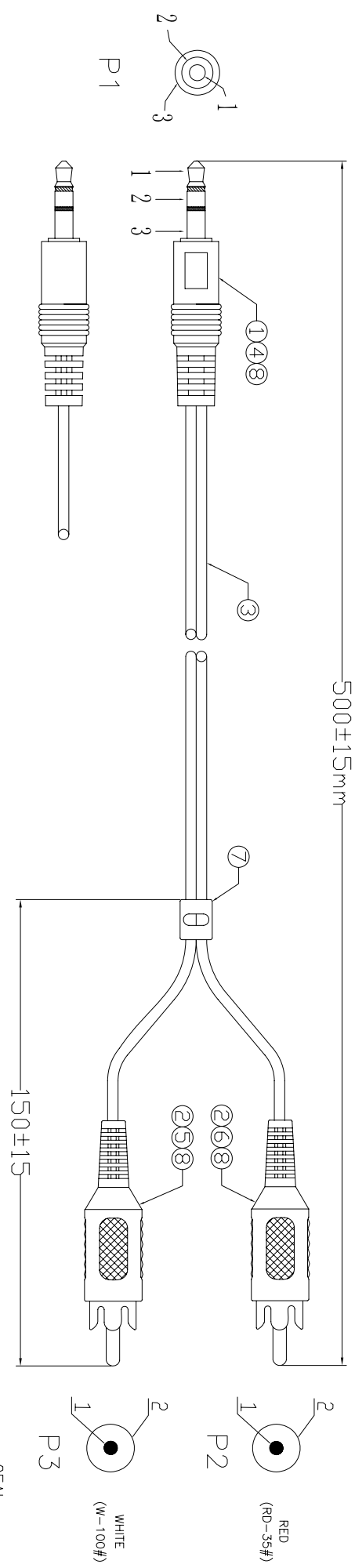


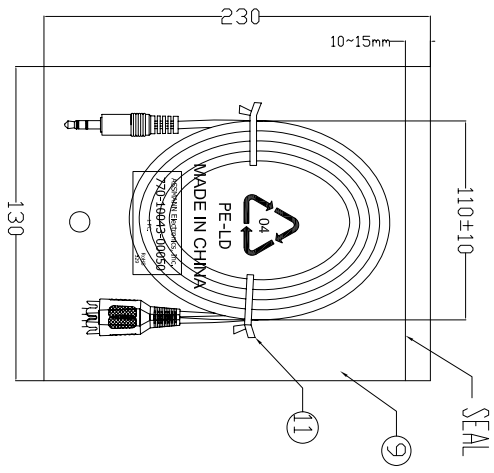
Units: mm



PIN ASSIGNMENT:

P1	P2	P3	COLOR
1	1	1	RED
2	1	1	WHITE
3	2	2	DRAIN(RED)
		2	DRAIN(WHITE)

Electrical test:  
 1. 100% short, open, measure test  
 2. Conduct resistance: 2 0hm(max)  
 3. Insulation resistance: 5Mohm(min)  
 4. dielectric test: DC 300V



⑪	TIE	2	BLACK L=80mm
⑩	PE BAG	1/10	CLEAR SIZE: 280*330*0.05mm PRINT BLACK"MADE IN CHINA"+*10PCS"
⑨	PE BAG	1	CLEAR SIZE: 130*230*0.05mm PRINT BLACK"MADE IN CHINA"+*1PC"
⑧	TUBE	3	HEAT SHRINK TUBE BLACK OD1.5*10mm
⑦	S/R	1.5g	BLACK PVC 40P (Mould NO.:SR-048)
⑥	IN JACKET	0.8g	CLEAR LD-PE (Mould NO.:NM-006)
⑤	OUT JACKET	3.3g	PVC-40P RED(RD-35),(Mould NO.:WM-009)
④	OUT JACKET	3.3g	CLEAR LD-PE (Mould NO.:NM-006)
③	OUT JACKET	3.3g	PVC-40P WHITE(W-100)(Mould NO.:WM-009)
②	OUT JACKET	3.0g	BLACK PVC-40P (Mould NO.:WM-020)
①	CABLE	1	NOUL [(110/0.10)+S(28/0.10)]*2F JACKET BLACK OD2.8*5.6mm
①	CONN	2	RCA PLUG MALE BLOSSOM TYPE NI-PLATED INSULATOR COLOR:BROWN
①	CONN	1	3.5ST MALE Tray6.0mm L=26mm MOLD TYPE NI-PLATED INSULATOR COLOR:BLACK

**CNC Tech, LLC**  
 Industrial Cable and Connector Technology

DRAWN BY	LICHENG	DRAWING NO.	
CHECKED BY		CUSTOMER	
APPROVAL BY		ITEM NO.	770-10043-00050
DECIDE BY		DATE	2012-12-17
VERSIONS/EDITION	A/0	PROJECTION	

A

B

C

D

A

B

C

D