

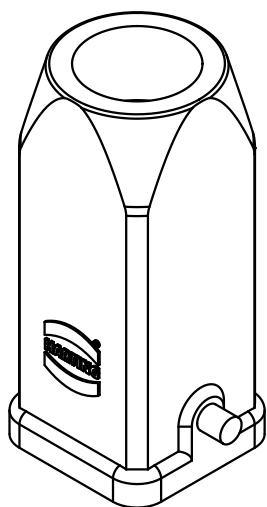
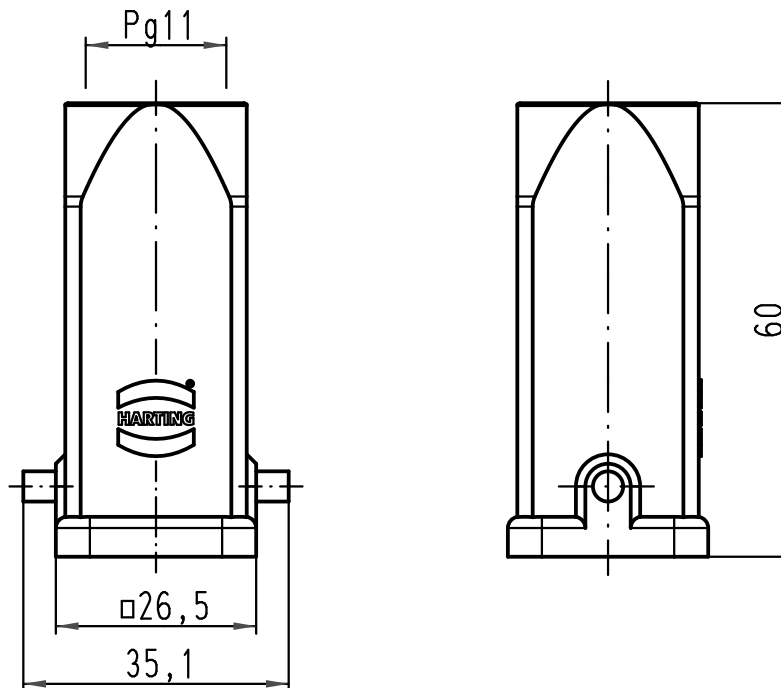
1 2 3 4 5 6



A

B

C

D



|   |      |                   |                                |             |   |   |
|---|------|-------------------|--------------------------------|-------------|---|---|
|  All Dimensions in mm<br>Original Size DIN A 4 |      | Techn. Character. |                                |             | Nicht tolerierte Maße/ Free size tolerances |   |
|   |      |                   | Dat.                           | Name        | Maßstab/ Scale<br><br>1:1                   | <b>Han 3A-gg-11</b><br>Gehäuse Kunststoff grau<br>hood plastic grey |
|   |      |                   | Detail.                        | 25.10.10 Ho |   |   |
|   |      |                   | Insp.                          | Be          |   |   |
|   |      |                   | Stand.                         |             |   |   |
| A   |      |                   | HARTING Electric GmbH & Co. KG |             |   | <b>TB 09 20 003 0420</b><br>Sub. TB 09 20 003 0420 v. 16.04.99      |
| Mod.  | Dat. | Name              | D-32339 Espelkamp              |             |   |   |
|    |      |                   |                                |             |   | Blatt/ page   |