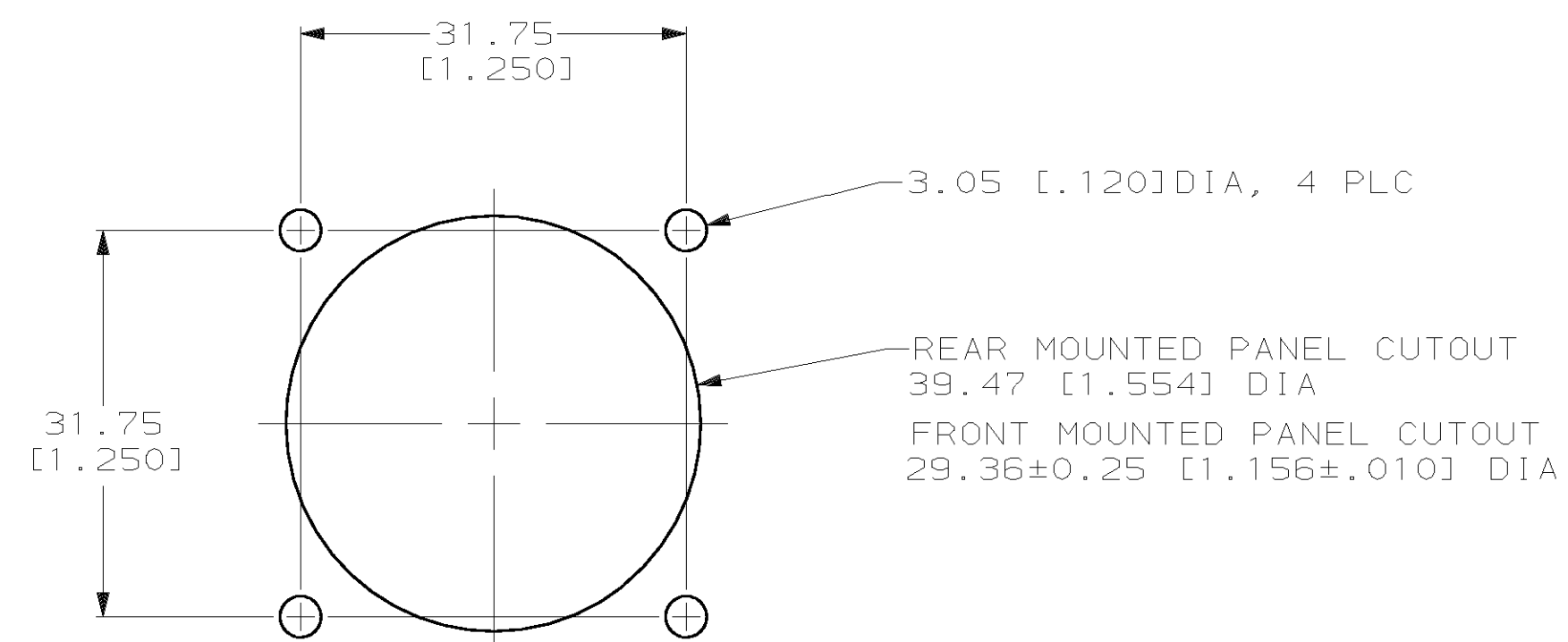
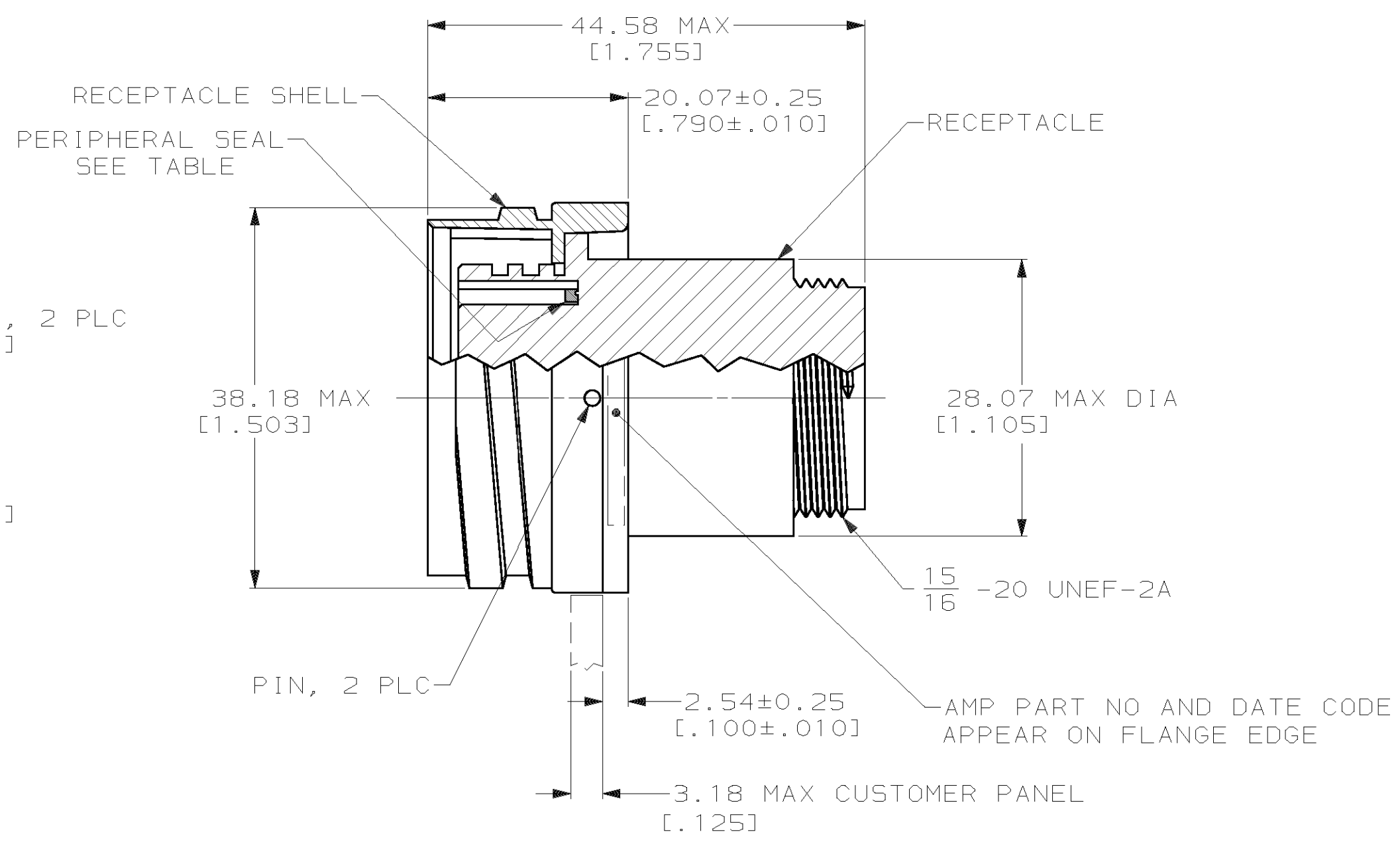
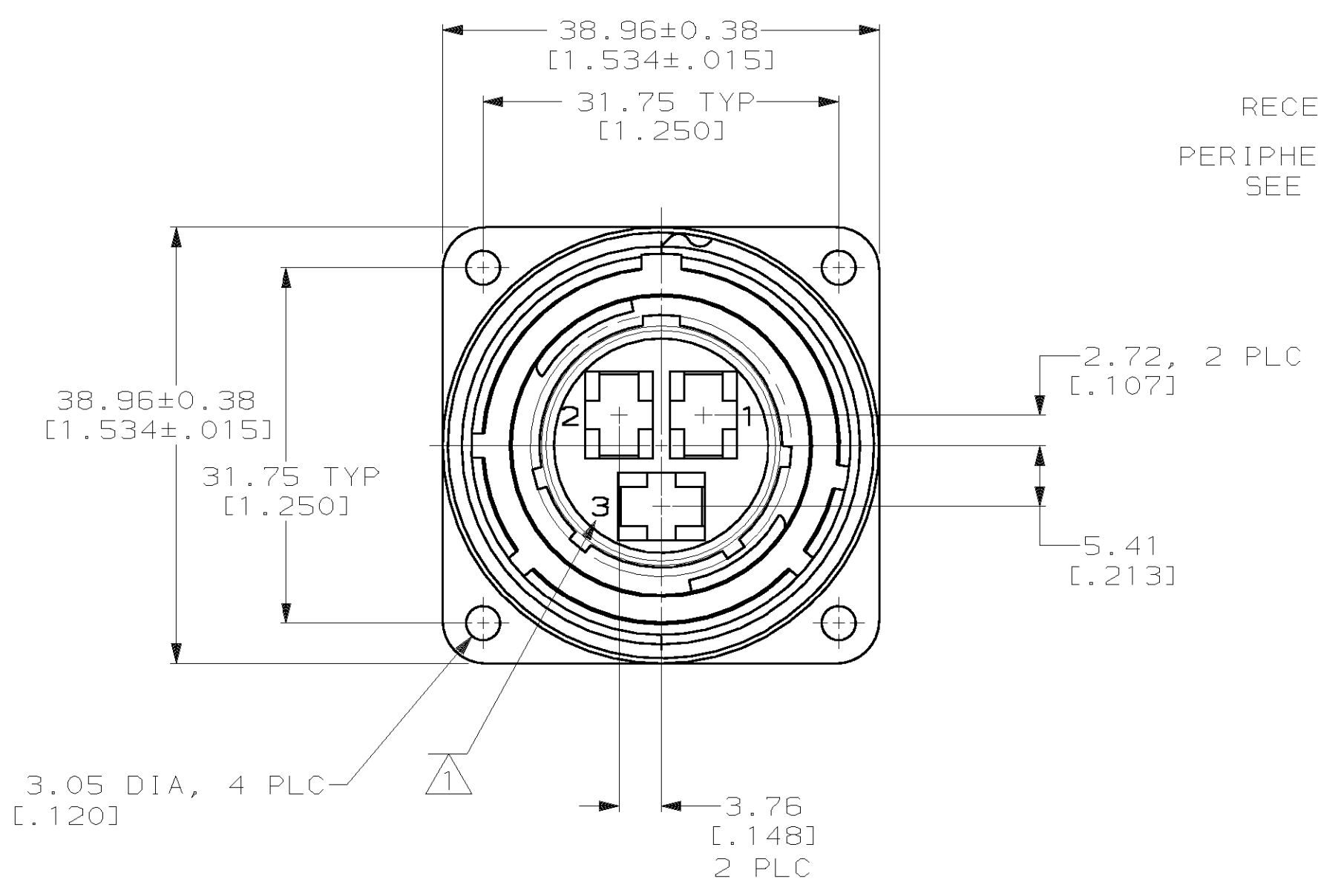


THIS DRAWING IS UNPUBLISHED. RELEASED FOR PUBLICATION
 © COPYRIGHT 19 BY AMP INCORPORATED. ALL INTERNATIONAL RIGHTS RESERVED.

LOC	DIST	P	F	ZONE	LTR	DESCRIPTION	DATE	APPD
FT	4				G	REDRAW ON CAD	1-29-92	KB
					H	OBS -1 PER EC 0020-0394-93	11/17/94	RK
					J	REACTIVATE -1 PER EC 0G1C-0002-99	15 JAN 99	MC



RECOMMENDED PANEL CUTOUT

- 1 CAVITY IDENTIFICATION CHARACTERS ON FRONT AND REAR FACE.
- 2. RECEPTACLE WILL ACCEPT 3 TYPE XII SOCKET CONTACTS.
- 3 5.08µm [1.000200] MIN NICKEL OVER 10.16µm [1.000400] MIN COPPER.

YES	208497-2
NO	208497-1
PERIPHERAL SEAL	PART NO

DO NOT SCALE PRINT. UNLESS SPECIFIED DIMENSIONS IN mm [INCHES] TOLERANCES ON: 2 PLC DEC ± 0.13[.005] 3 PLC DEC ± - ANGLES ± -		DR 1-29-92 W.G.LENKER CHK 2-11-92 R.STONE APPD 2-12-92 K.BEAVER APPD 2-12-92 C.ROHDE		AMP Incorporated Harrisburg, PA 17105-3608 NAME RECEPTACLE ASSEMBLY, 22-3, REV SEX, CMC	
MATERIAL RECEPTACLE: NYLON, BLACK RCPT SHELL: ZINC PERIP SEAL: ELASTOMER, GREY PIN: CARBON STEEL		PRODUCT SPEC -			
FINISH RCPT SHELL: 3 PIN: NICKEL PLATED		APPLICATION SPEC -		SIZE C 00779	DRAWING NO 208497
WEIGHT -		SCALE 2:1		SHEET 1 OF 1	