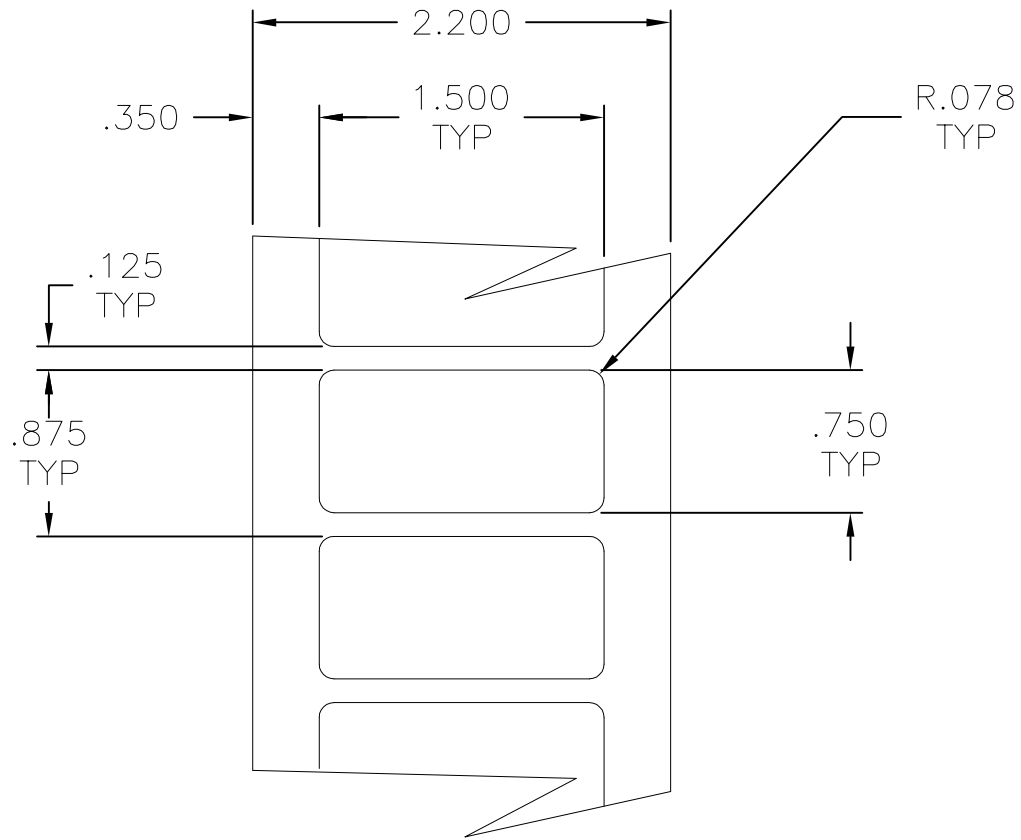


name	date	city, state

NOTES



3,000 LABELS PER ROLL
1 ACROSS

PART NUMBER	MATERIAL
TAG27T1-795	795 - METALIZED POLYESTER
TAG27T1-822	822 - WHITE POLYESTER
TAG27T1-822C	822 - CLEAR POLYESTER

REVISION	level	03
	date	06/03/08
	by	AAC
	ECN #	011047
part level	-	

DIMENSIONS	.XXXX=	
	.XXX= ±.010	
	.XX=	
	.X=	
	∠=	
unless otherwise specified		
units	inches	

PART	number	SEE CHART	phase	PRODUCTION
	name	TAG27T1 THERMAL TRANSFER BLANK LABEL		
	material	SEE CHART		

DRAWING	FORMAT	AV	version	K	CAD	ACAD	scale	1X
	computer file number	LA/DTL/3002010_03		previous number				
	drawn	K.A.C.	checked	KAC	approved			
	date	10/21/94	checked	06/03/08	approved			
type	DETAIL		sheet		1 of 1			
number	LA3002010DTL							