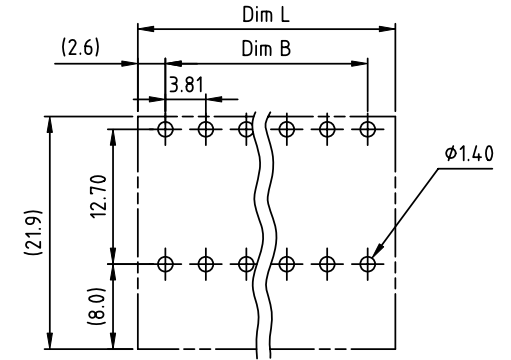
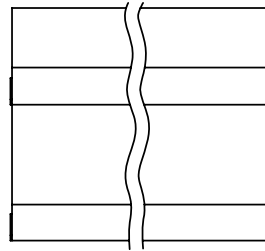
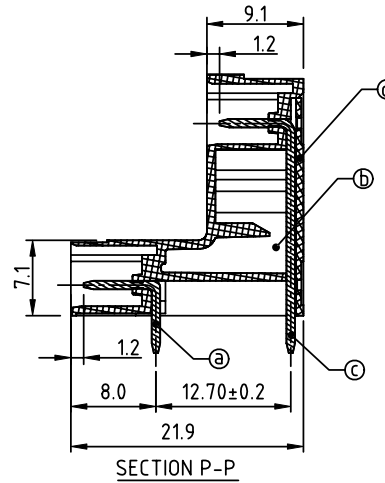
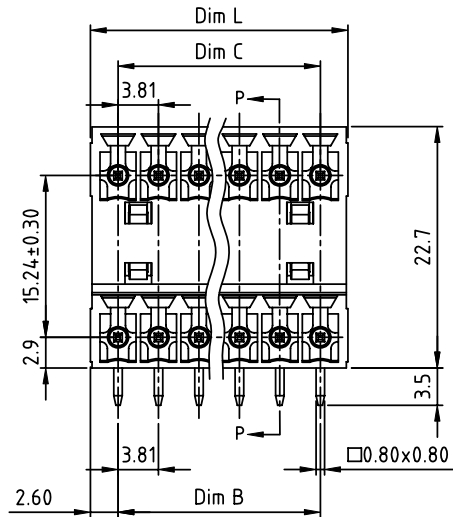


PRODUCT NUMBER	PITCH
VOxx31x100J0G	3.81 mm



RECOMMENDED P.C.B LAYOUT
TOP VIEW



Material:

- Item (a) Short pin: copper Tin plated
- Item (b) Insulator(housing):Thermoplastic (UL94V-0)
- Item (c) Long pin: copper Tin plated
- Item (d) Terminal(cover):Thermoplastic (UL94V-0)

Electrical:

- Voltage rating: 300V
- Current rating: 10A
- Withstanding Voltage: 1.6 KV
- Operating temperature: -40°C to +115°C
- Soldering temperature: 260°C±5°C/5 Sec
- Safety Approval: cULus

PART NO.: VO xx 31 x 1 00J0 G

Dimension	
Dim L	N/2×3.81+1.39
Dim B	(N/2-1)×3.81
Dim C	(N/2-1)×3.81

N=Number of poles	
Poles	Tolerance
2×2P-2×5P	±0.15
2×6P-2×10P	±0.20
2×11P-2×15P	±0.25
2×16P-2×20P	±0.30
2×21P-2×24P	±0.35

- | | | |
|--------------|---------------------|---|
| Solid block | Color | RoHS compliant (lead<4%)
In copper Alloy |
| No. of poles | 0 Black (RAL9005) | |
| 04 2x2poles | 2 Red (RAL3001/D) | |
| 06 2x3poles | 3 Orange(RAL2011/P) | |
| | 4 Yellow(RAL1018/A) | |
| 48 2x24poles | 5 Green(RAL6018/T) | |
| | 6 Blue (RAL5015/A) | |
| | 8 Grey(RAL7035/D) | |
| | 9 White(RAL1102) | |
| | C Green(RAL6018/U) | |

mat'l. code				surface ASME Y14.5 ✓	tolerance ASME Y14.5	projection 	product family TERMINAL BLOCK
ltr	ecn	no	dr	tolerances unless otherwise specified		MM	title TERMINAL BLOCK PLUGGABLE SOCKET,RIGHT ANGLE
				angles 0°	X.±0.5		
				±1°	X.X±0.3	scale	dwg no V0xx31x100J0G
					X.XX±0.1		
dr	ENGR	EVIN ZHONG	042914	FCI logo		type CUSTOMER Drawing	
enr	EVIN ZHONG	042914					
chr	HANKE FENG	042914					
appd	SHI JUN	042914					
sheet index	revision	A	1				