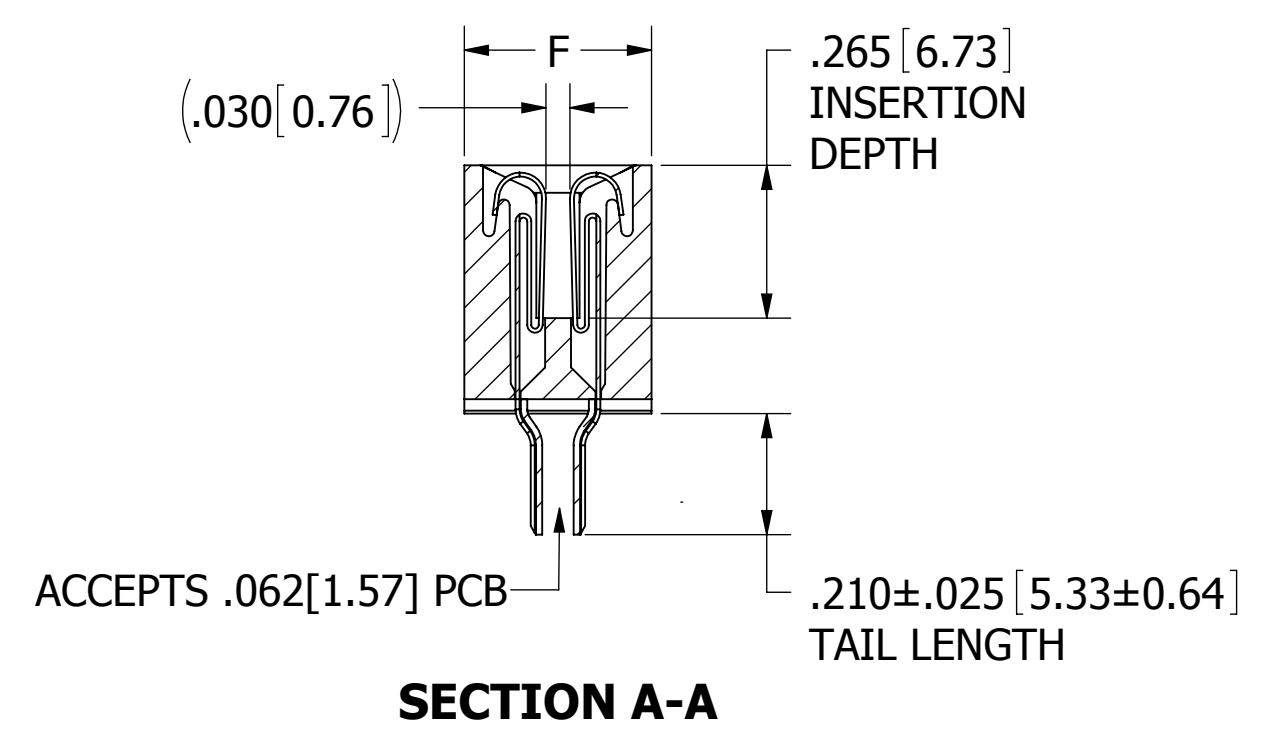
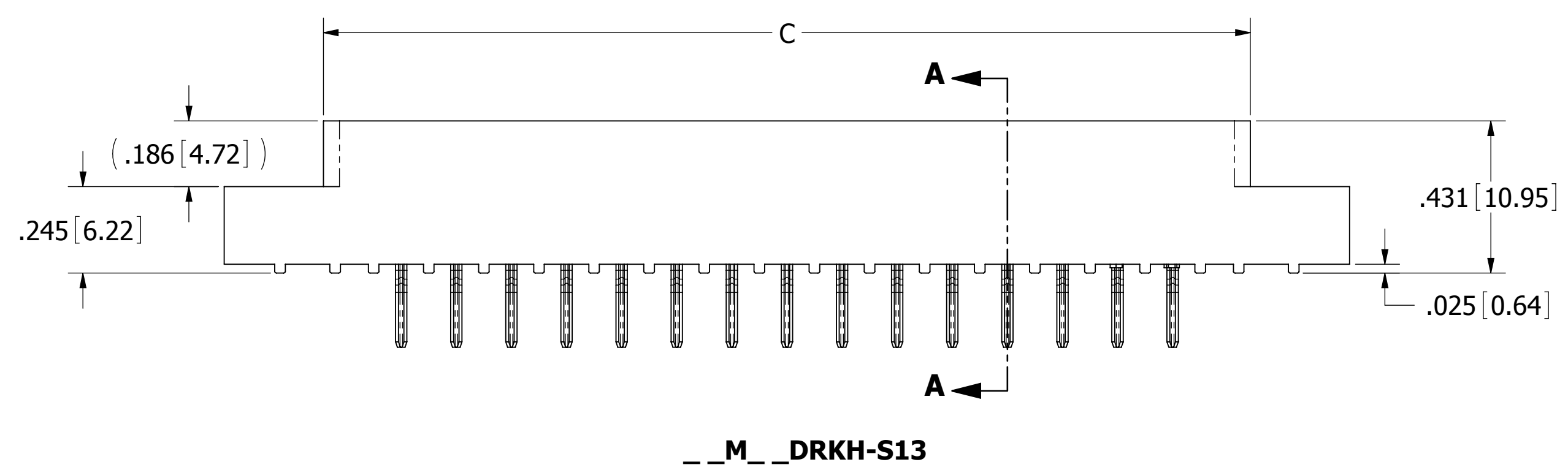
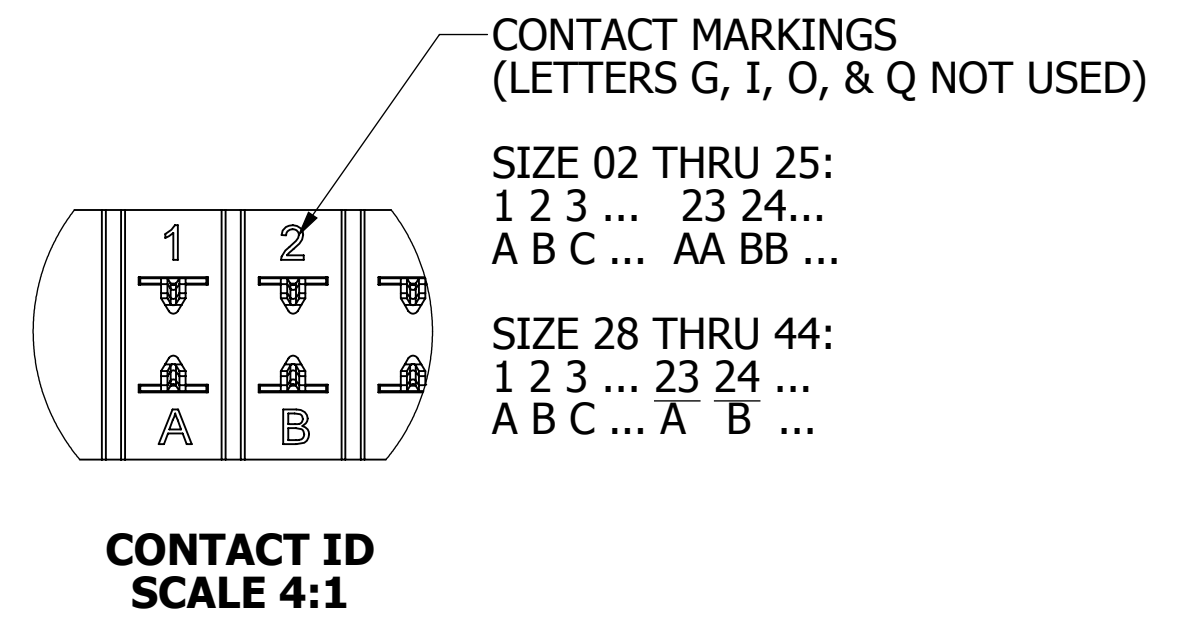
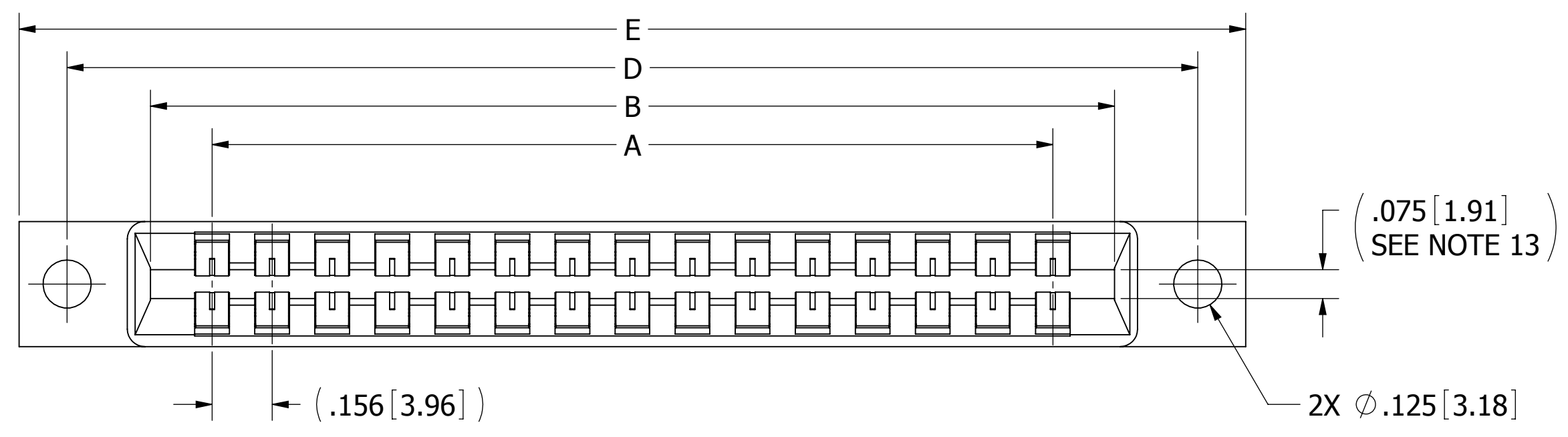


REVISIONS				
REV.	ECO. NO	DESCRIPTION	DATE	BY
A	1265	INITIAL RELEASE	2/1/2007	MV
B	1390	ADDED CURRENT RATING FOR F MATERIAL	6/18/2007	MNH
C	1662	UPDATE DRAWING FORMAT & PART NUMBER CODING	4/22/2008	VJ
D	2909	UPDATE DWG FORMAT, ASSY NOTES, DIMS, PART NUMBER CODING INFO, & TABLE	2/4/2014	NC



- NOTES:**
- INSULATOR MATERIAL: SEE PART NUMBER CODING
 - CONTACT MATERIAL: SEE PART NUMBER CODING
 - PLATING: SEE PART NUMBER CODING
 - OPERATING TEMPERATURE: SEE PART NUMBER CODING
 - PROCESSING TEMP: SEE PART NUMBER CODING
 - UL FLAMMABILITY RATING: 94V-0
 - OPERATING VOLTAGE: 950 VAC MINIMUM AT SEA LEVEL
 - CURRENT RATING: 3 AMP
 - CONTACT RESISTANCE: 30 MILLI OHMS MAX
 - INSULATION RESISTANCE: 5000 MEGA OHMS
 - DURABILITY: 500 CYCLES MIN
 - CONNECTOR IDENTIFICATION: THE PART SHALL BE MARKED WITH A PART NUMBER AND LOT CODE
 - BOARD THICKNESS ACCOMMODATED: $.062 \pm .008 [1.57 \pm 0.20]$
 - INSERTION FORCE: 16 OZ MAX PER CONTACT PAIR WHEN USING A $.062 [1.57]$ TEST BLADE
INTERNAL INSPECTION TO BE PER SULLIN'S WORK INSTRUCTION WI7.3-01
 - WITHDRAWAL FORCE: 1 OZ MIN PER CONTACT PAIR USING $.062 [1.57]$ PCB
 - MODIFICATION: CARD EXTENDER BEND FOR $.062 [1.57]$ PCB



CUSTOMER COPY

UNLESS OTHERWISE SPECIFIED: DIMENSIONS ARE IN INCHES [MM]		DRAWN	DATE	NAME		
			2/1/2007	MV		
TOLERANCES:					<small>THE INFORMATION HEREIN CONTAINS PROPRIETARY INFORMATION OF SULLINS ELECTRONICS AND IS NOT TO BE REPRODUCED, USED OR DISCLOSED TO OTHERS FOR ANY PURPOSE EXCEPT AS SPECIFICALLY AUTHORIZED IN WRITING BY AN OFFICER OF SULLINS ELECTRONICS.</small>	
ANGULAR: $\pm 1^\circ$					TITLE EDGE CARD, .156 CC, LP	
DECIMALS .XX = $\pm .02 [.5]$.XXX = $\pm .005 [.13]$.XXXX = $\pm .0005 [.013]$					PART NUMBER _M_DRK_-S13	
SCALE: 3:1		SIZE C	CAGE CODE 54453	DWG. NO. C10888	REV D	
					SHEET 1 OF 3	

8

7

6

5

4

3

2

1

F

E

D

C

B

A

F

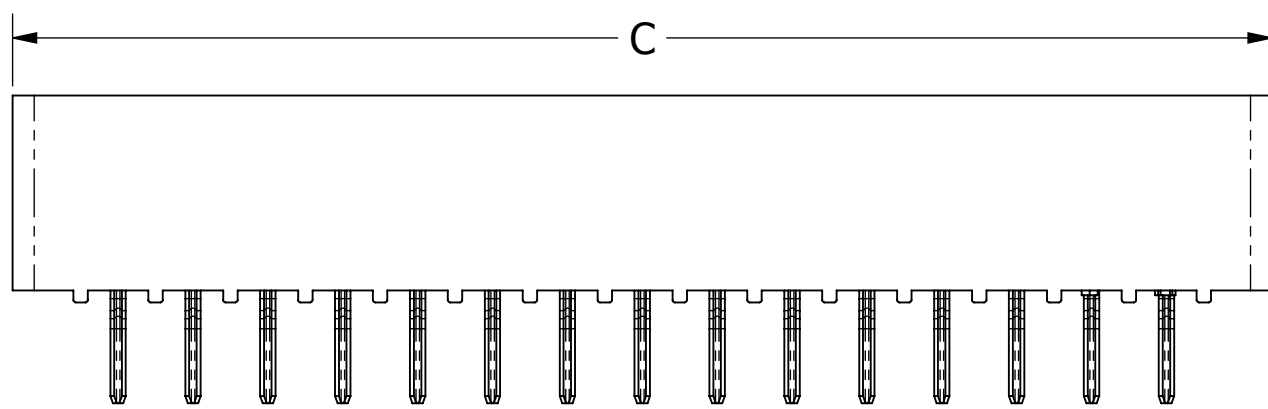
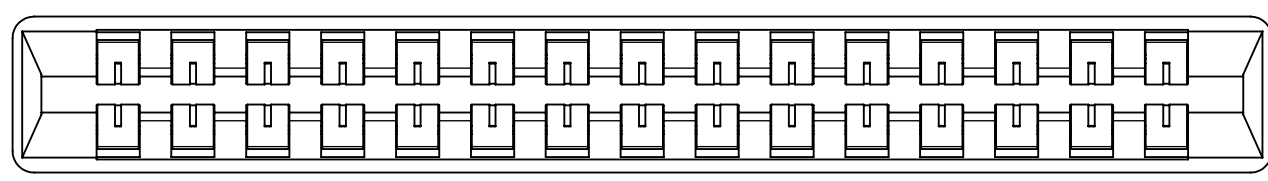
E

D

C

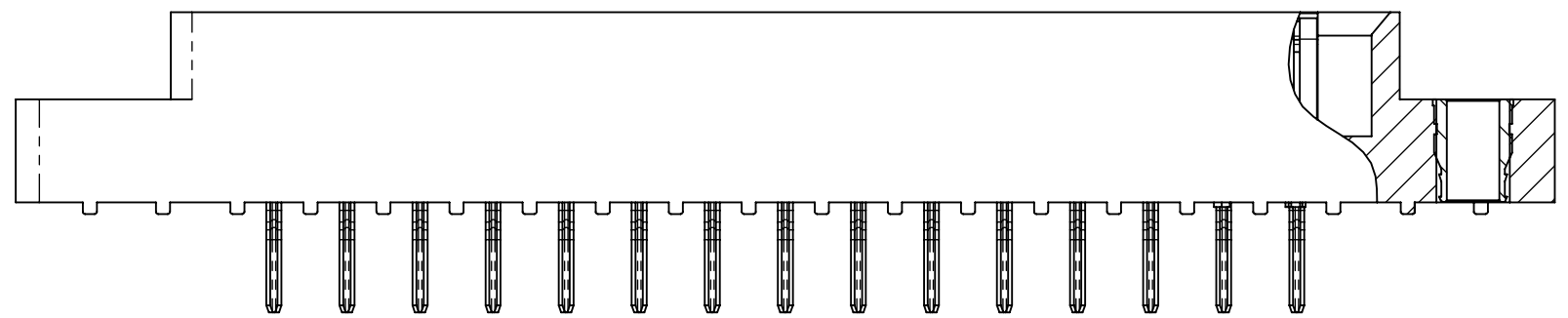
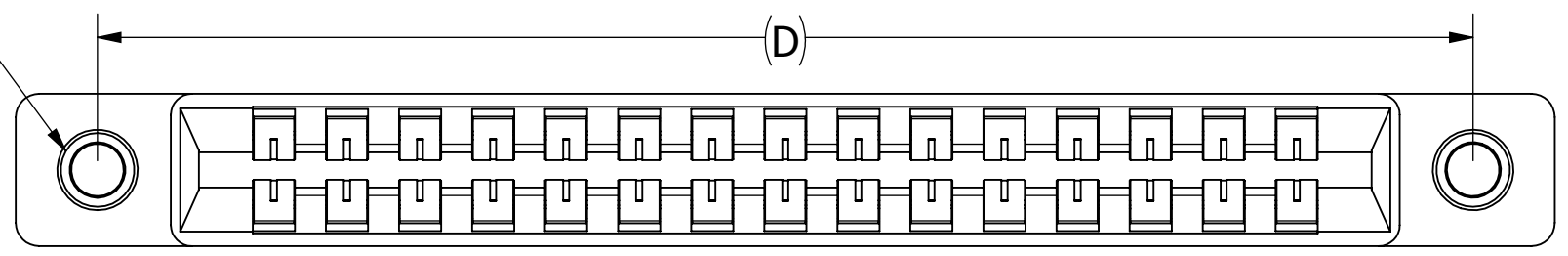
B

A



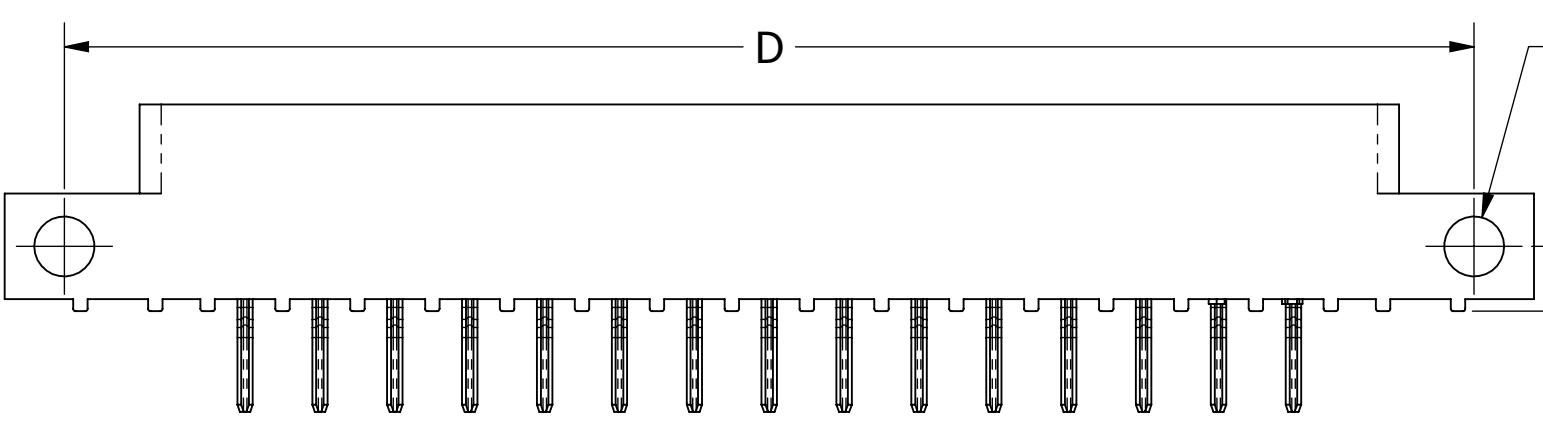
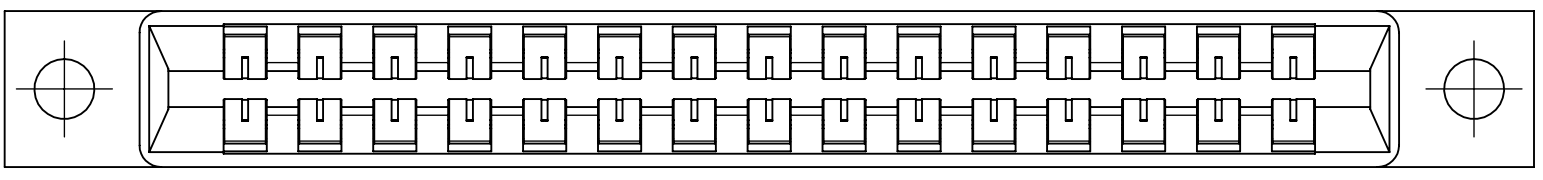
__M__DRKN-S13

2X #4-40
THREADED
INSERT

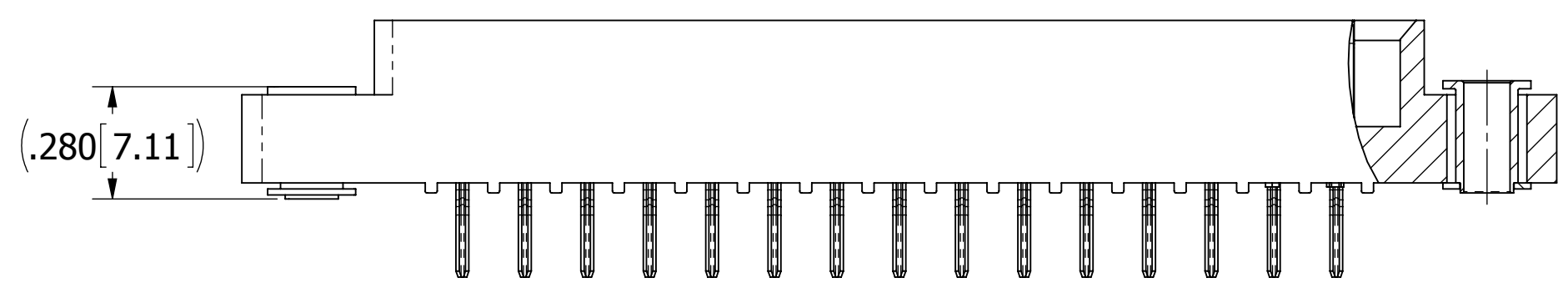
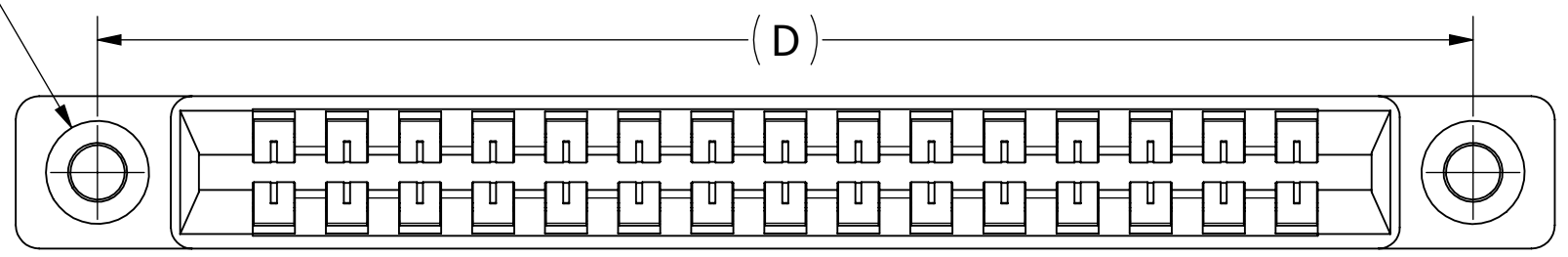


__M__DRKI-S13

2X FLOATING BOBBIN
Ø .116 [2.95] CLEARANCE
FOR # 4 SCREW



__M__DRKS-S13



__M__DRKF-S13

CUSTOMER COPY



UNLESS OTHERWISE SPECIFIED:
DIMENSIONS ARE IN INCHES [MM]

TOLERANCES:
ANGULAR: ± 1°

DECIMALS
.XX = ± .02 [.5]
.XXX = ± .005 [.13]
.XXXX = ± .0005 [.013]

DRAWN	DATE	NAME
	2/1/2007	MV
<small>THE INFORMATION HEREIN CONTAINS PROPRIETARY INFORMATION OF SULLINS ELECTRONICS AND IS NOT TO BE REPRODUCED, USED OR DISCLOSED TO OTHERS FOR ANY PURPOSE EXCEPT AS SPECIFICALLY AUTHORIZED IN WRITING BY AN OFFICER OF SULLINS ELECTRONICS.</small>		



TITLE			EDGECARD, .156 CC, LP		
PART NUMBER			__M__DRK_-S13		
SIZE	CAGE CODE	DWG. NO.	REV		
C	54453	C10888	D		
SCALE: 3:1		SHEET 2 OF 3			

Only applies for connectors with threaded inserts or floats

PART NUMBER	NO. OF POS.	A ± .008[0.20]		B ±.008[0.20]		C ±.015[0.38]		D ±.010[0.25]		E ±.020[0.51]		E ±.020[0.51]		F +.005[0.13] -.015[0.38]			
		IN	MM	IN	MM	IN	MM	IN	MM	IN	MM	IN	MM	IN	MM		
M02DRKN-S13	2	0.156	3.96	0.476	12.09	0.596	15.14	"N" MOUNTING						0.325	8.26		
M03DRKN-S13	3	0.312	7.92	0.632	16.05	0.752	19.10										
M04DRKN-S13	4	0.468	11.89	0.788	20.02	0.908	23.06										
M06DRK -S13	6	0.780	19.81	1.100	27.94	1.220	30.99	1.533	38.94	1.782	45.26	1.882	47.80			0.438	11.13
M08DRK -S13	8	1.092	27.74	1.412	35.86	1.532	38.91	1.845	46.86	2.094	53.19	2.194	55.73				
M10DRK -S13	10	1.404	35.66	1.724	43.79	1.844	46.84	2.157	54.79	2.406	61.11	2.506	63.65				
M11DRK -S13	11	1.560	39.62	1.880	47.75	2.000	50.80	2.313	58.75	2.562	65.07	2.662	67.61				
M12DRK -S13	12	1.716	43.59	2.036	51.71	2.156	54.76	2.469	62.71	2.718	69.04	2.818	71.58				
M15DRK -S13	15	2.184	55.47	2.504	63.60	2.624	66.65	2.937	74.60	3.186	80.92	3.286	83.46				
M18DRK -S13	18	2.652	67.36	2.972	75.49	3.092	78.54	3.405	86.49	3.654	92.81	3.754	95.35				
M22DRK -S13	22	3.276	83.21	3.596	91.34	3.716	94.39	4.029	102.34	4.278	108.66	4.378	111.20				
M24DRK -S13	24	3.588	91.14	3.908	99.26	4.028	102.31	4.341	110.26	4.590	116.59	4.690	119.13				
M25DRK -S13	25	3.744	95.10	4.064	103.23	4.184	106.27	4.497	114.22	4.746	120.55	4.846	123.09				
M28DRK -S13	28	4.212	106.98	4.532	115.11	4.652	118.16	4.965	126.11	5.214	132.44	5.314	134.98	0.500	12.70		
M36DRK -S13	36	5.460	138.68	5.780	146.81	5.900	149.86	6.213	157.81	6.462	164.13	6.562	166.67				
M43DRK -S13	43	6.552	166.42	6.872	174.55	6.992	177.60	7.305	185.55	7.554	191.87	7.654	194.41	0.500	12.70		
M44DRK -S13	44	6.708	170.38	7.028	178.51	7.148	181.56	7.461	189.51	7.710	195.83	7.810	198.37				

PART NUMBER CODING

-- M -- DRK -- S13

MATERIAL (INSULATOR/CONTACT)

- E = PBT/PHOSPHOR BRONZE**
OPERATING TEMP: -65°C TO +125°C
PROCESSING TEMP: WAVE/MANUAL SOLDER
- R = PPS/PHOSPHOR BRONZE**
OPERATING TEMP: -65°C TO +125°C
PROCESSING TEMP: 260°C FOR 120 SECS MAX
- G = PA9T/PHOSPHOR BRONZE**
OPERATING TEMP: -65°C TO +125°C
PROCESSING TEMP: 260°C FOR 20 SECS MAX
- H = PBT/BERYLLIUM COPPER**
OPERATING TEMP: -65°C TO +125°C
PROCESSING TEMP: WAVE/MANUAL SOLDER
- A = PPS/BERYLLIUM COPPER**
OPERATING TEMP: -65°C TO +150°C
PROCESSING TEMP: 260°C FOR 120 SECS MAX
- J = PA9T/BERYLLIUM COPPER**
OPERATING TEMP: -65°C TO +150°C
PROCESSING TEMP: 260°C FOR 20 SECS MAX
- F = PPS/SPINODAL (CONSULT FACTORY)**
AVAILABLE IN OVERALL GOLD ONLY (S OR M PLATING CODE)
OPERATING TEMP: -65°C TO +200°C
- C = PPS/BERYLLIUM NICKEL (CONSULT FACTORY)**
AVAILABLE IN OVERALL GOLD ONLY (M PLATING CODE)
OPERATING TEMP: -65°C TO +200°C
PROCESSING TEMP: 260°C FOR 120 SECS MAX
- W = PEEK/BERYLLIUM NICKEL (CONSULT FACTORY)**
AVAILABLE IN OVERALL GOLD ONLY (M PLATING CODE)
OPERATING TEMP: -65°C TO +250°C
(CONSULT FACTORY FOR OTHER MATERIALS)

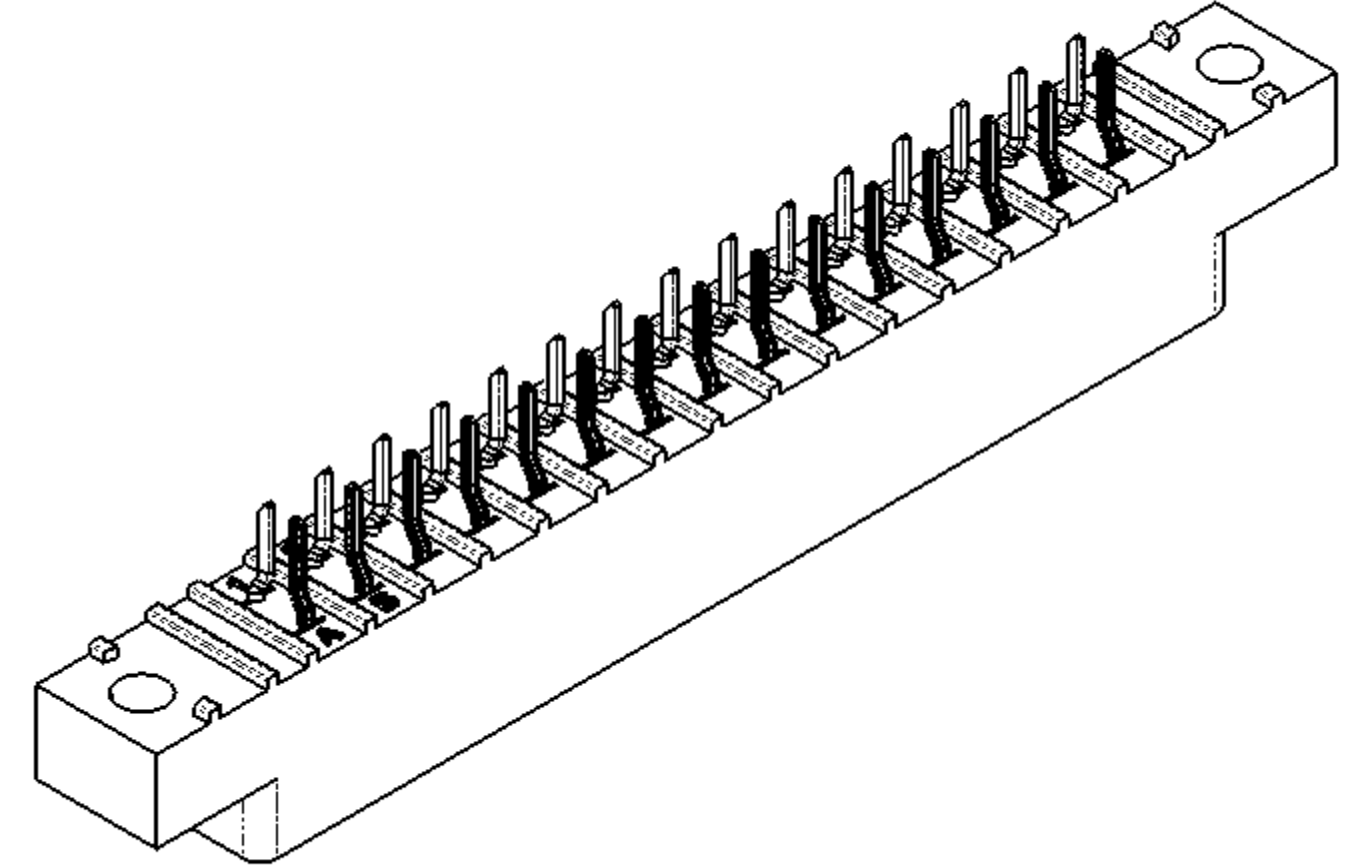
MOUNTING STYLE

- H = .125" DIA. CLEARANCE HOLES (PAGE 1)
- N = NO MOUNTING EARS (PAGE 2)
- S = .125" DIA. SIDE MOUNTING (PAGE 2)
- I = #4-40 THREADED INSERT (PAGE 2)
- F = FLOATING BOBBIN (PAGE 2)

NUMBER OF POSITIONS (CONTACTS PER ROW)

PLATING

- ALL PLATINGS ARE LEAD FREE AND HAVE .000050" NICKEL UNDERPLATE
- | | |
|---|--------------------------|
| CONTACT SURFACE | TERMINATION |
| G = .000010" GOLD | .000005" GOLD |
| Y = .000030" GOLD | .000005" GOLD |
| B = .000010" GOLD | .000100" PURE TIN, MATTE |
| C = .000030" GOLD | .000100" PURE TIN, MATTE |
| **E = .000100" PURE TIN, MATTE, OVERALL | |
| S = .000010" GOLD OVERALL | |
| M = .000030" GOLD | .000010" GOLD OVERALL |
- ** OVERALL TIN ONLY AVAILABLE ON MATERIAL CODES E, R, AND G



CUSTOMER COPY



UNLESS OTHERWISE SPECIFIED: DIMENSIONS ARE IN INCHES [MM]

TOLERANCES:
ANGULAR: ± 1°
DECIMALS
.XX = ± .02 [.5]
.XXX = ± .005 [.13]
.XXXX = ± .0005 [.013]

DRAWN	DATE	NAME			
	2/1/2007	MV			
<small>THE INFORMATION HEREIN CONTAINS PROPRIETARY INFORMATION OF SULLINS ELECTRONICS AND IS NOT TO BE REPRODUCED, USED OR DISCLOSED TO OTHERS FOR ANY PURPOSE EXCEPT AS SPECIFICALLY AUTHORIZED IN WRITING BY AN OFFICER OF SULLINS ELECTRONICS.</small>			TITLE EDGE CARD, .156 CC, LP		
PART NUMBER			-- M -- DRK -- S13		
SIZE	CAGE CODE	DWG. NO.	REV		
C	54453	C10888	D		
SCALE: 3:1		SHEET 3 OF 3			