

## SUMMARY



*Image is for illustrative purpose only*

### # Wires

Low	19
High	0
Coax	0
Triax	0
Quad	0
Fiber	0
Fluidic	0

Series	2M
Termination type	Female print PCB
IP rating	68
Cable Ø	0.00 - 0.00 mm
Matching parts	FMU.2M.319.XLC
Status	
Alternative part	

### Download

- [Request a quote](#)
- [PCB Eagle Pattern](#)
- [PCB Altium Pattern](#)
- [Catalog](#)

## TECHNICAL DETAILS

### Mechanics

Shell Style/Model	HE*: Fixed receptacle, nut fixing for printed circuit, watertight
Keying	
Housing Material	Environment friendly aluminium (nickel plated, anthracite color) shell and nut, other pieces bronze/brass
Cable Fixing	∅ 0 - 0 mm
Variant	P : Watertight

### Performance

Configuration	2M.319 : 19 Low Voltage
Insulator	
Rated Current	5 Amps

### Specifications

Contact Type: Print (straight)
Max. Matings: 5000
Contact Dia.: 0.7 mm (0.028in)
R (max): 6.1 mOhm
Test voltage (kV rms) Contact-contact: 1.55

Test voltage (kV rms) Contact-shell: 0.95

## Others

Humidity (max):  $\leq 95\%$  [at 60 deg C / 140 F]

Vibration: 15 g [10 Hz - 2000 Hz]

Shock Resistance: 100 g [ 6 ms]

Operating temperature:  $-20^{\circ}\text{C}$  /  $+80^{\circ}\text{C}$

Climatical Category: 15/200/21 (Al. shell)

Lighting strike EIA 364-75 10K amps - 6 times

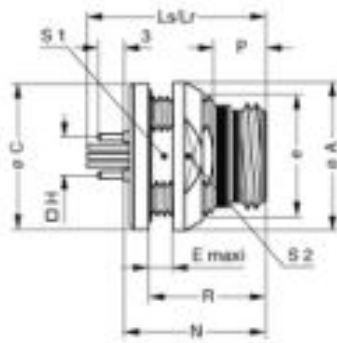
EMI Shielding EIA 364-66A - 1Ghz-80 dB,3GHz-70 dB,6GHz- 58dB

IP Rating: 68

---

## DRAWINGS

### Draws



### Dimensions

	A	C	E	H	Lr	Ls	N	P	R	S1	S2	e
mm.	21	20.8	5	8.89	21	20.8	16.8	5.3	13.8	15.5	18	M17x1.00
in.	0,83	0,82	0,20	0,35	0,83	0,82	0,66	0,21	0,54	0,61	0,71	

---

## RECOMMENDED BY LEMO

### Tools

Spanner wrench: DCM.65.000.4PA

### Cables