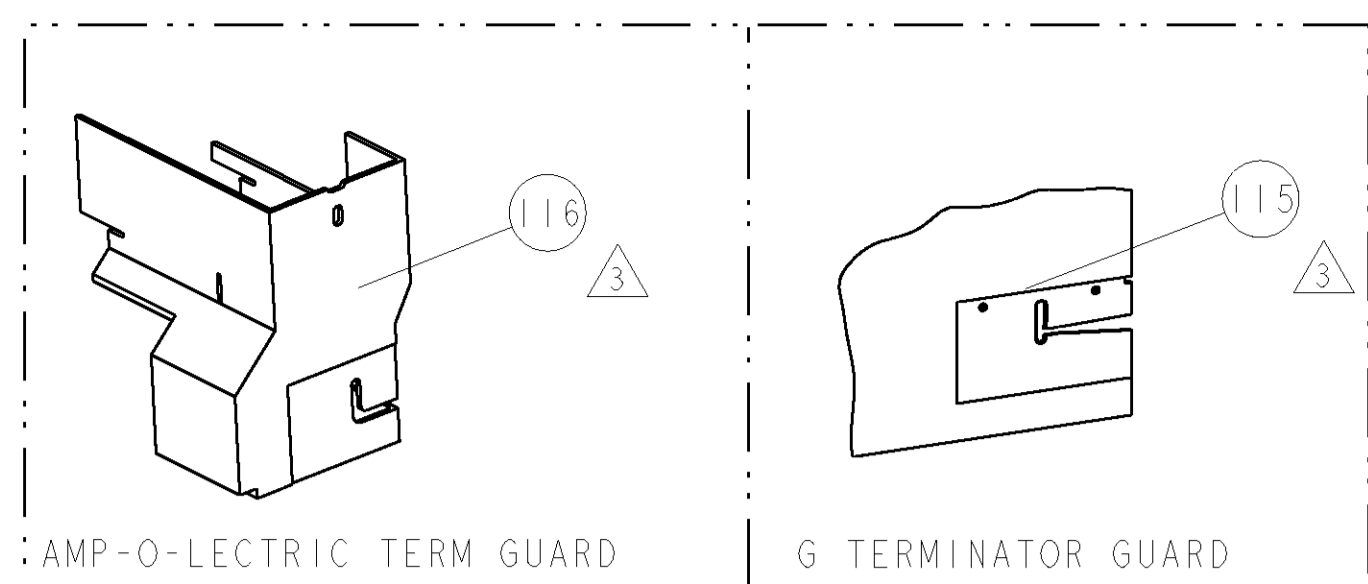


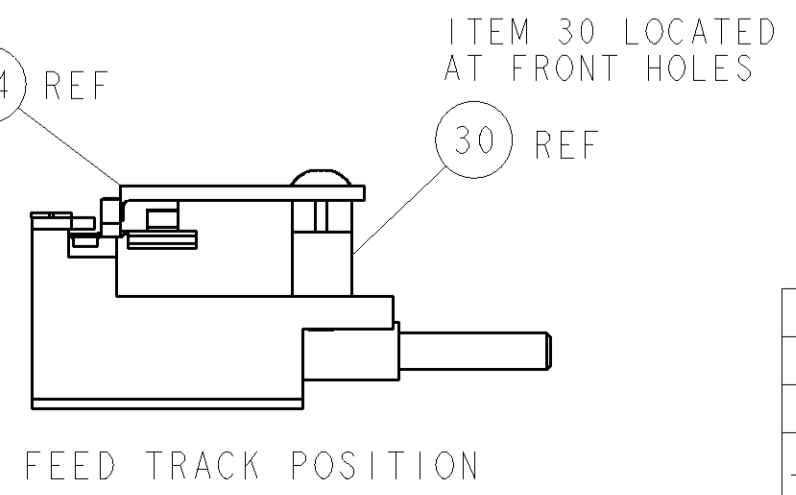
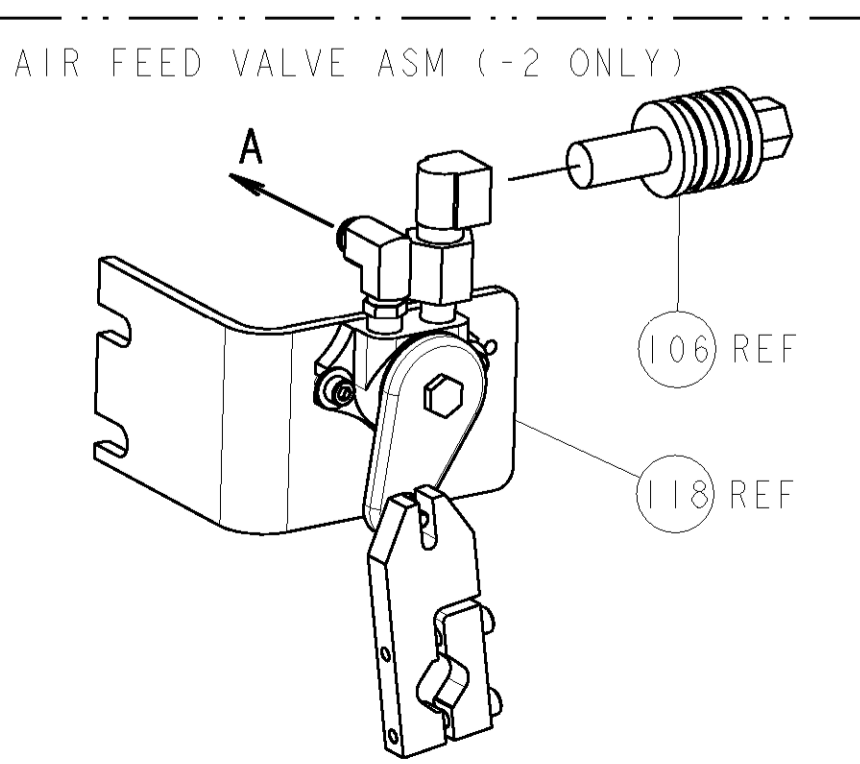
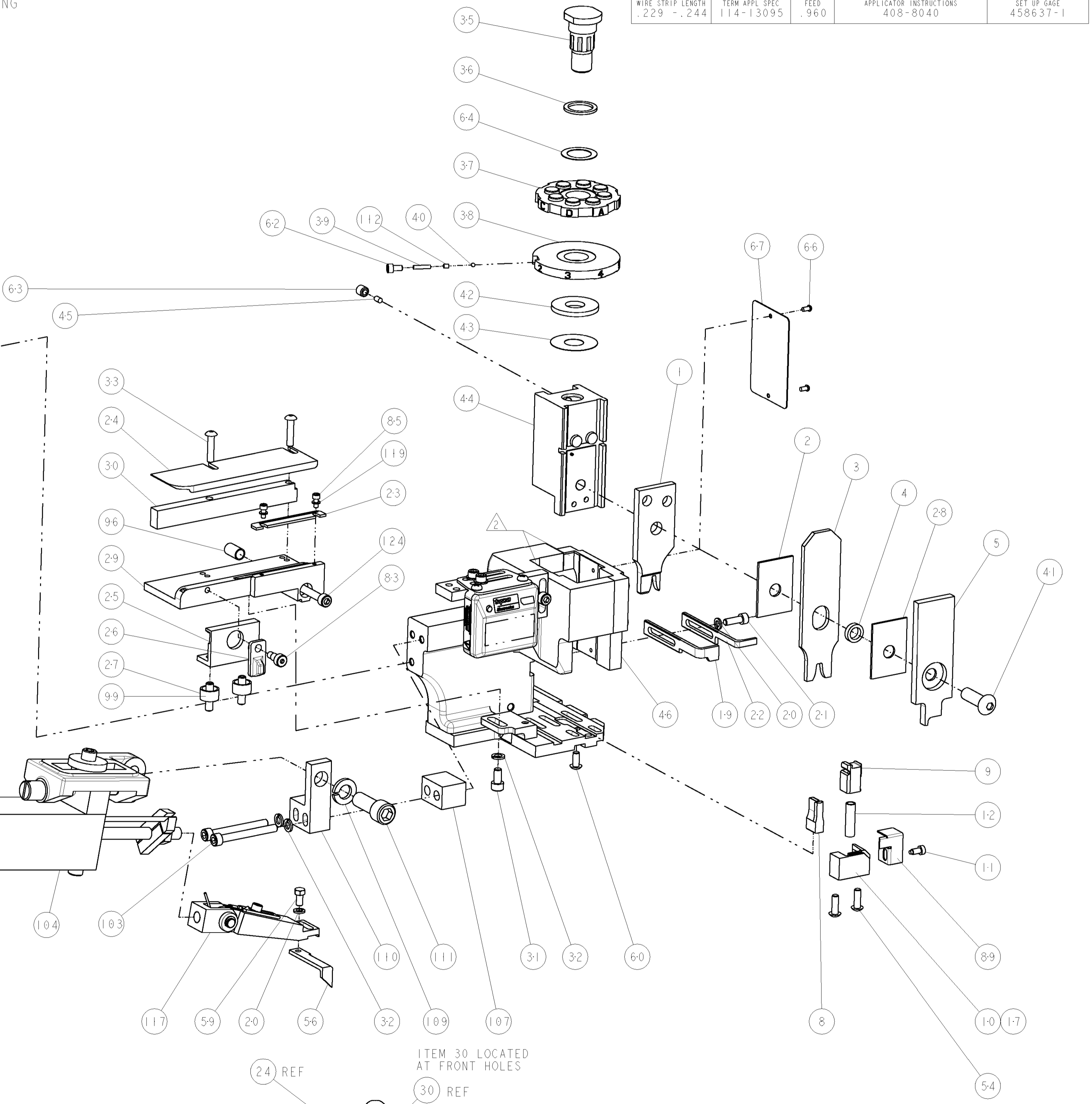
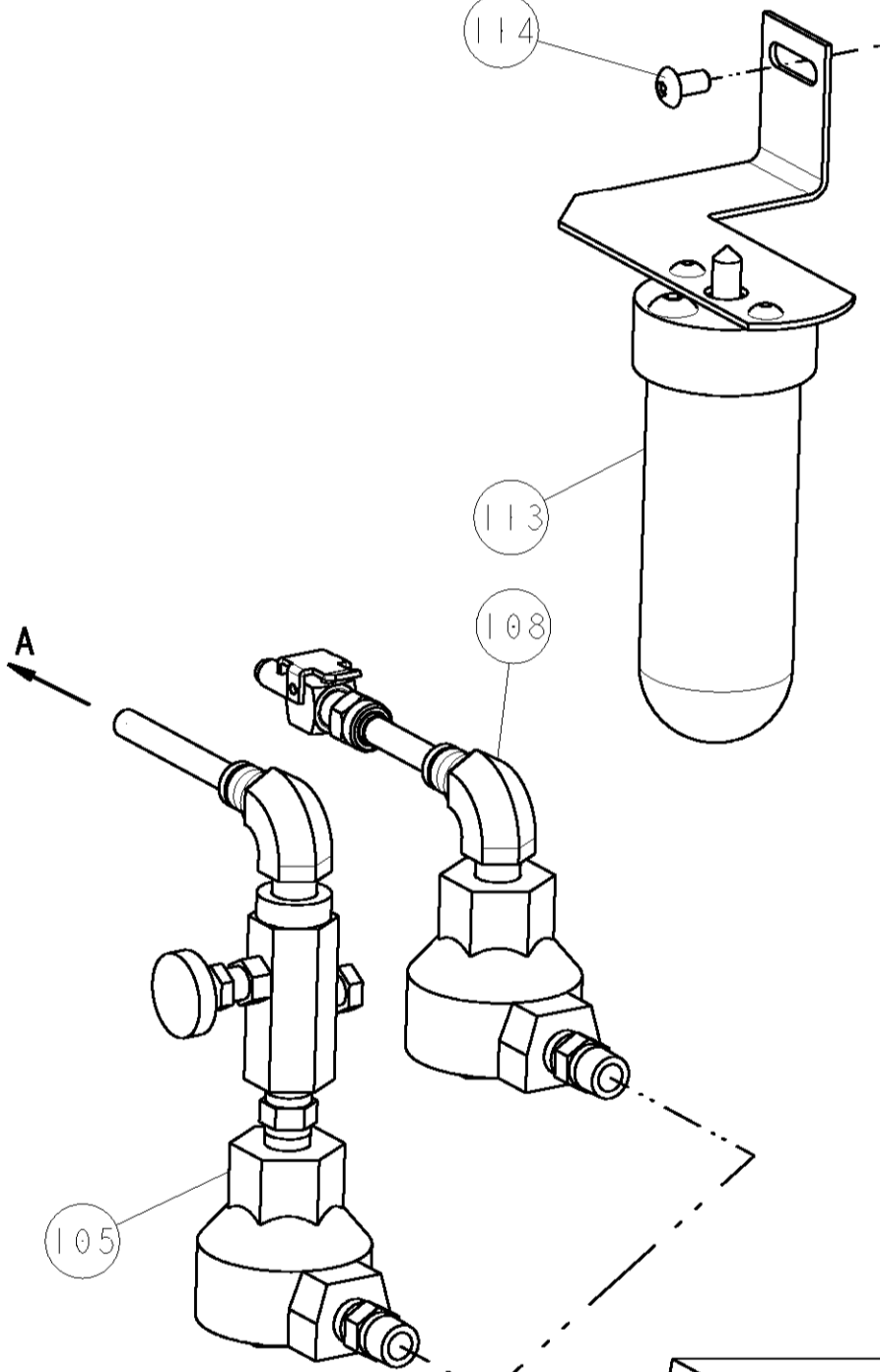
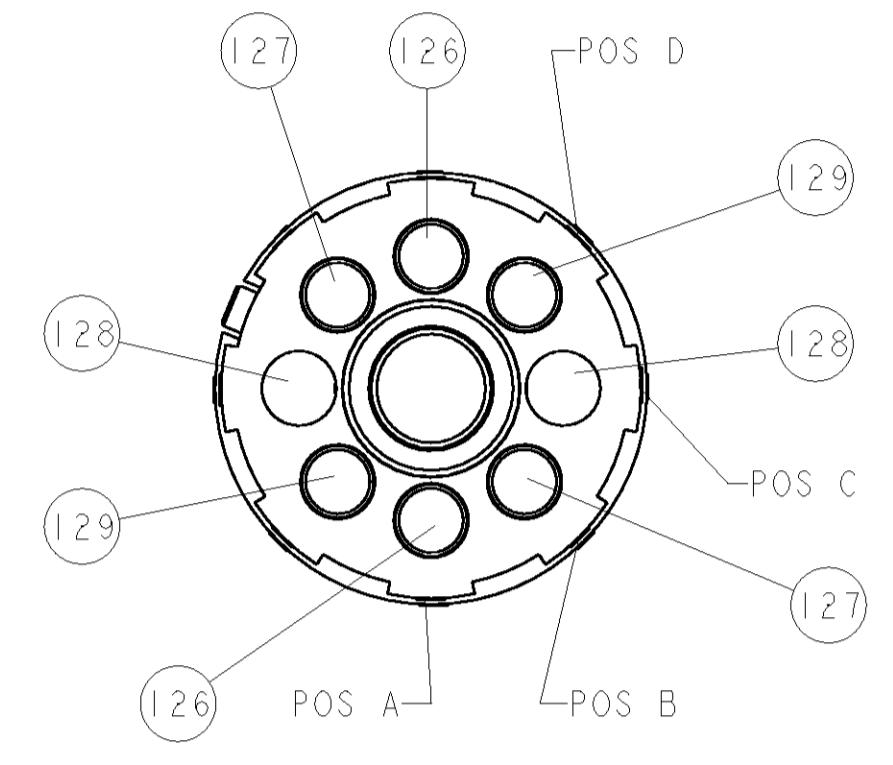
PART NUMBER	REV	FIRST USED	POWER UNIT	FEED TYPE	DESCRIPTION
1852432-1	A	122500-1	LEADMAKER	AIR FEED	CUTS CARRIER
1852432-2	A	565435-5	BENCH MODEL K	AIR FEED	CUTS CARRIER
1852432-3	A	354500-1	BENCH MODEL G	AIR FEED	CUTS CARRIER
1852432-6	A	122500-1	LEADMAKER	AIR FEED	CONTINUOUS CARRIER
7-1852432-7	A	-	-	-	SPARE PARTS



TERMINAL NAME: GROUNDING CLIP			
TYCO PN	MANUF PN	AMP TERMINAL - AMP CRIMP SPECS	
1742449	-		
		PAD LTR	CRIMP HEIGHT
		A	.070±.002 [1.78±0.05mm]
		B	.064±.002 [1.63±0.05mm]
		C	.061±.002 [1.55±0.05mm]
		D	.055±.002 [1.40±0.05mm]
		CRIMP	SIZE
		WIRE	.110 [2.79mm]
		INSUL	.180 [4.57mm]
		FEED	.960
		APPLICATOR INSTRUCTIONS	408-8040
		SET UP GAGE	458637-1
WIRE STRIP LENGTH	TERM APPL SPEC		
.229 - .244	114-13095		

LOC	DIST	P LTR	DESCRIPTION	DATE	BY	APPD
A	66		RELEASED	28MAR2007	MEH	GB

- RECOMMENDED SPARE PARTS
- GREASE LIGHTLY
- GUARD MUST BE IN PLACE WHEN OPERATING APPLICATOR IN A BENCH MACHINE



-77	-6	-3	-2	-1	U/M	PART NO	DESCRIPTION	ITEM NO
-	-	-	-	-	-	6-354779-0	PIN, WIRE DISC, .3290	129
-	-	-	-	-	-	4-354779-0	PIN, WIRE DISC, .3190	128
-	-	-	-	-	-	3-354779-4	PIN, WIRE DISC, .3160	127

-77	-6	-3	-2	-1	U/M	PART NO	DESCRIPTION	ITEM NO
-	-	-	-	-	-	1-354779-8	PIN, WIRE DISC, .3080	126
-	-	-	-	-	-	8-21000-7	SCR, SKT HD CAP 10-32 X 2.500	124
-	-	-	-	-	-	21024-2	WASHER, SPRG LOCK, REG NO 4	119
-	-	-	-	-	-	692655-6	AIR FEED VALVE ASSEMBLY	118
-	-	-	-	-	-	461062-1	FEED FINGER ASSEMBLY	117
-	-	-	-	-	-	455749-1	GUARD WINDOW	116
-	-	-	-	-	-	679532-1	INSERT, GUARD	115
-	-	-	-	-	-	2-21002-6	SCR, BTN SKT HD CAP 10-32 X .375	114
-	-	-	-	-	-	1-465184-0	LUBRICATOR ASSY	113
-	-	-	-	-	-	690603-1	SPRING ASSIST AMP-O-MATOR APPLICATOR	112
-	-	-	-	-	-	3-21001-5	SCR, SKT HD CAP 3/8-16 X 1.000	111
-	-	-	-	-	-	459610-9	MOUNT, FEED BRACKET	110
-	-	-	-	-	-	21024-8	WASHER, SPRG LOCK, REG 3/8	109
-	-	-	-	-	-	692655-7	AIR FEED VALVE ASSEMBLY	108
-	-	-	-	-	-	461690-4	SPACER, AIR FEED	107
-	-	-	-	-	-	24024-2	VALVE, SHUT OFF	106
-	-	-	-	-	-	692655-5	AIR FEED VALVE ASSEMBLY	105
-	-	-	-	-	-	461065-2	ASSEMBLY, AIR FEED	104
-	-	-	-	-	-	4-21000-2	SCR, SKT HD CAP 10-32 X 1.750	103
-	-	-	-	-	-	5-21006-6	SCR, SET, CUP POINT 10-32 X .750	99
-	-	-	-	-	-	1-22281-8	SPRING, COMPRESSION	96
-	-	-	-	-	-	318563-1	GUARD, FRONT CHIP	89
-	-	-	-	-	-	1-21000-3	SCR, SKT HD CAP 4-40 X .250	85
-	-	-	-	-	-	21989-8	SCR, SKT HD SHLDR 3/16 DIA X .250	83
-	-	-	-	-	-	4088040	SF APPL INST 408-8040	72
-	-	-	-	-	-	217238-1	GENERAL INSTRUCTION PKG	71
-	-	-	-	-	-	461264-1	PLATE, IDENTIFICATION	67
-	-	-	-	-	-	21017-2	SCREW, DRIVE	66
-	-	-	-	-	-	986950-1	WASHER, FLAT PRECISION	64
-	-	-	-	-	-	21009-2	SCR, SET, SELF LOCKING 1/4-20 X .250	63
-	-	-	-	-	-	23030-1	SCR, SKT HD CAP 6-32 X .25	62
-	-	-	-	-	-	22733-8	SCR, BHSC, SELF-LOCKING, 8-32 X .375	60
-	-	-	-	-	-	2-22603-0	SCR, HEX HD CAP 8-32 X .312	59
-	-	-	-	-	-	458537-2	PAWL, FEED	56
-	-	-	-	-	-	2-21002-2	SCR, BTN SKT HD CAP 8-32 X .500	54
-	-	-	-	-	-	1633399-1	APPL., BASIC AIR FEED SUB ASSY	46
-	-	-	-	-	-	690191-1	PLUG, NYLON	45
-	-	-	-	-	-	819307-7	RAM, SIDE FEED	44
-	-	-	-	-	-	690125-1	SHIM SUB-ASSY	43
-	-	-	-	-	-	690124-1	WASHER, RAM (.115)	42
-	-	-	-	-	-	7-21002-9	SCR, BTN SKT HD CAP 5/16-24 X 1.00	41
-	-	-	-	-	-	23241-6	BALL, STEEL	40
-	-	-	-	-	-	690170-1	SPRING, COMPRESSION	39
-	-	-	-	-	-	1-690142-1	DISC, INSULATION	38
-	-	-	-	-	-	354777-1	WIRE DISC, ASSEMBLY	37
-	-	-	-	-	-	22480-5	SPRING, COMPRESSION	36
-	-	-	-	-	-	690212-1	POST, RAM	35
-	-	-	-	-	-	2-21002-4	SCR, BTN SKT HD CAP 8-32 X .750	33
-	-	-	-	-	-	21024-5	WASHER, SPRG LOCK, REG NO 10	32
-	-	-	-	-	-	3-21000-4	SCR, SKT HD CAP 10-32 X .375	31
-	-	-	-	-	-	1320908-1	SPACER, STRIP GUIDE	30
-	-	-	-	-	-	1-1633087-1	PLATE, STRIP GUIDE	29
-	-	-	-	-	-	1-455888-0	SPACER, CRIMPER	28
-	-	-	-	-	-	1-22284-0	SPRING, COMPRESSION	27
-	-	-	-	-	-	356835-1	LEVER, DRAG RELEASE	26
-	-	-	-	-	-	240792-1	DRAG, TERMINAL	25
-	-	-	-	-	-	1320928-1	PLATE, STRIP GUIDE	24
-	-	-	-	-	-	690438-1	FRONT STRIP GUIDE	23
-	-	-	-	-	-	690472-2	STRIPPER	22
-	-	-	-	-	-	2-21000-7	SCR, SKT HD CAP 8-32 X .500	21
-	-	-	-	-	-	21024-4	WASHER, SPRG LOCK, REG NO 8	20
-	-	-	-	-	-	691353-1	STRIPPER	19
-	-	-	-	-	-	679625-3	SHEAR HOLDER, FRONT (NO CUT)	17
-	-	-	-	-	-	3-22280-3	SPRING, COMPRESSION	12
-	-	-	-	-	-	690461-2	STOP, SHEAR	11
-	-	-	-	-	-	1-690459-0	SHEAR HOLDER, FRONT	10
-	-	-	-	-	-	454276-5	FLOATING SHEAR, FRONT	9
-	-	-	-	-	-	1633535-7	ANVIL, COMBINATION	8
-	-	-	-	-	-	1-455889-4	DEPRESSOR, SHEAR	5
-	-	-	-	-	-	238011-2	BLOCK, CRIMPER SPACER	4
-	-	-	-	-	-	1633511-3	CRIMPER, INSULATION F	3
-	-	-	-	-	-	1-455888-3	SPACER, CRIMPER	2
-	-	-	-	-	-	2-464112-0	CRIMPER, WIRE	1

DIMENSIONS: INCHES		TOLERANCES UNLESS OTHERWISE SPECIFIED:	
0 PLC	±	1 PLC	±.01
1 PLC	±.01	2 PLC	±.01
3 PLC	±.001	4 PLC	±.001
ANGLES	±.0001		
MATERIAL:	FINISH:	WEIGHT:	
CUSTOMER DRAWING		SCALE: 3:5	SHEET 1 OF 1

APPROVED: G. BAILEY	DATE: 28MAR2007	DESIGNER: T. BENCHOFF	DATE: 28MAR2007
PART NO: A1 00779		DESCRIPTION: SIDE FEED HDM APPLICATOR	
SIZE: A1		CAGE CODE: 1852432	

CUSTOMER VIEWABLE ASSEMBLY