

THIS DRAWING IS UNPUBLISHED.

RELEASED FOR PUBLICATION

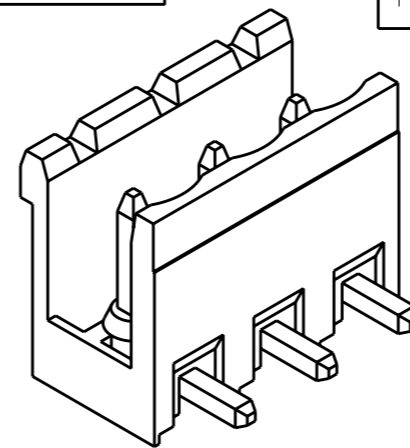
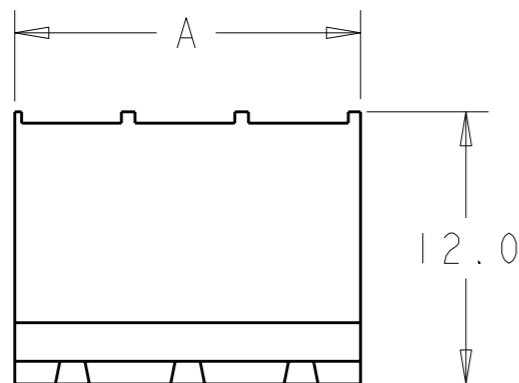
20

LOC FT DIST 0

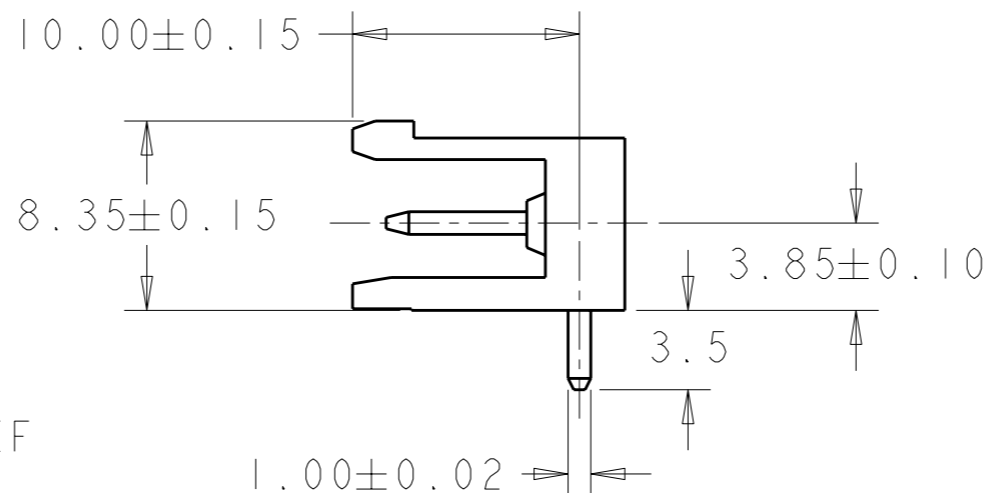
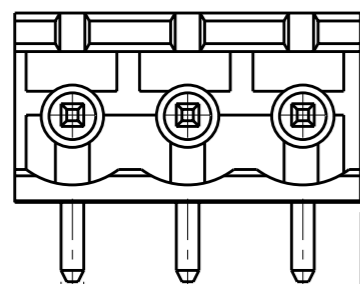
REVISIONS

© COPYRIGHT 20 Tyco Electronics AMP GmbH ALL RIGHTS RESERVED.

P	LTR	DESCRIPTION	DATE	DWN	APVD
	C2	REVISED PER ECO-12-007964	03MAY2012	KH	MS



282815-3 AS SHOWN

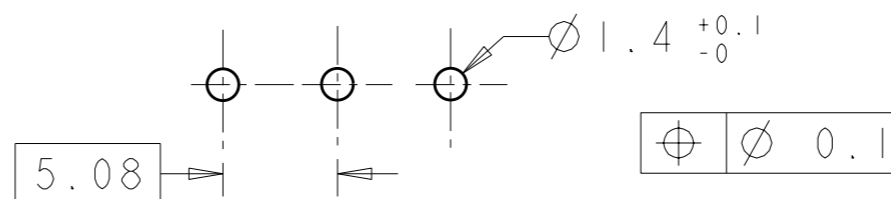


1.00±0.02 2.54 REF

△ 5.08±0.05

127.00	25	2-282815-5
121.92	24	2-282815-4
116.84	23	2-282815-3
111.76	22	2-282815-2
106.68	21	2-282815-1
101.60	20	2-282815-0
96.52	19	1-282815-9
91.44	18	1-282815-8
86.36	17	1-282815-7
81.28	16	1-282815-6
76.20	15	1-282815-5
71.12	14	1-282815-4
66.04	13	1-282815-3
60.96	12	1-282815-2
55.88	11	1-282815-1
50.80	10	1-282815-0
45.72	9	282815-9
40.64	8	282815-8
35.56	7	282815-7
30.48	6	282815-6
25.40	5	282815-5
20.32	4	282815-4
15.24	3	282815-3
10.16	2	282815-2
DIM. A	N° OF POS.	PART NUMBER

RECOMMENDED PC BOARD LAYOUT



- 1 MATERIALS AND FINISH
HOUSING: PA 6-6, UL 94-V0, COLOR GREEN.
TERMINAL: COPPER ALLOY, TIN PLATED.
- 2 SUITABLE FOR 1,6-2,4mm PC BOARD THICKNESS.
- 3 END-TO-END STACKABLE WITHOUT LOSS OF CENTERLINE SPACING.
- 4 RECOGNIZED UNDER THE COMPONENT PROGRAM OF UNDERWRITERS LABORATORIES INC. FILE N° E60677.
- 5 IMQ CERTIFICATE WITH SURVEILLANCE IN CONFORMITY WITH IEC 998-1/998-2-1.
- 6 NOT CUMULATIVE TOLERANCE.

THIS DRAWING IS A CONTROLLED DOCUMENT.		DWN E. ZANOLINI 25 JUL 2001	TE Connectivity	
DIMENSIONS: mm		CHK D. BIEVENOUR 25 JUL 2001		
TOLERANCES UNLESS OTHERWISE SPECIFIED:		APVD D. BIEVENOUR 25 JUL 2001	NAME	
0 PLC ±.2 1 PLC ±.2 2 PLC ±.25 3 PLC ±. 4 PLC ±. ANGLES ±2		PRODUCT SPEC 108-20166	TERMINAL BLOCK HEADER ASSEMBLY 90 DEGREE OPEN ENDS, STACKING 5.08mm PITCH	
MATERIAL		APPLICATION SPEC 114-20079	SIZE A3	CAGE CODE 00779
FINISH		WEIGHT -	DRAWING NO C-282815	RESTRICTED TO -
		CUSTOMER DRAWING		SCALE 3:1 SHEET 1 OF 1 REV C2