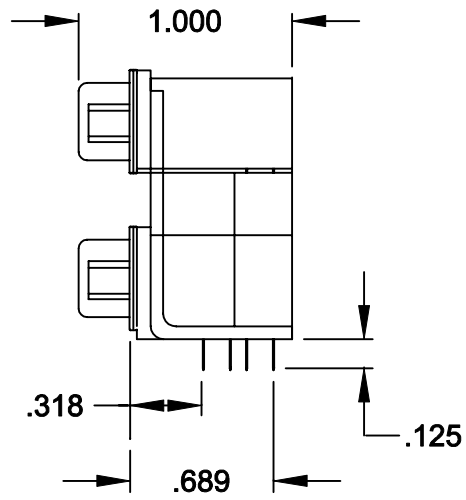
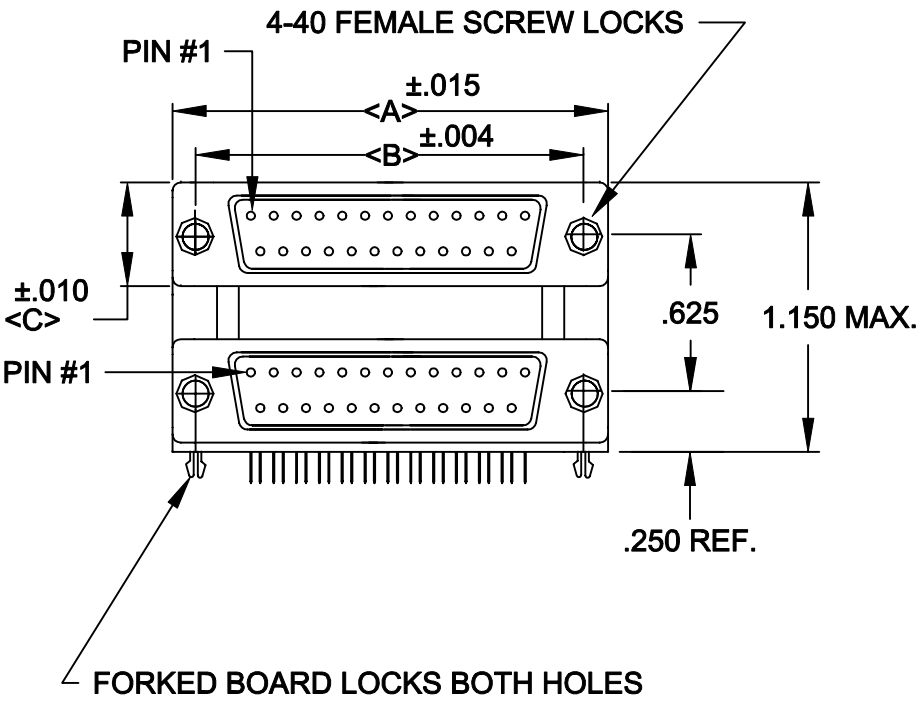


DESCRIPTION: .625 CENTER DUAL PORT D-SUB MALE/MALE



	A	B	C
9	1.204 30.6	.984 25.0	.494 12.55
15	1.535 39.0	1.312 33.3	.494 12.55
25	2.078 52.8	1.850 47.0	.494 12.55
37	2.724 69.2	2.500 63.5	.494 12.55

189-XXX-612-571

SERIES _____
 POSITIONS _____
 009
 015
 025
 037
 GENDER _____
 61 = MALE OVER MALE
 41 = MALE OVER FEMALE
 51 = FEMALE OVER FEMALE
 31 = FEMALE OVER MALE
 SHELL PLATING _____
 2 = TIN
 HARDWARE OPTIONS _____
 57 = 4-40 STANDOFFS/FORK BOARD LOCKS
 PLATING OPTIONS _____
 01 = GOLD FLASH

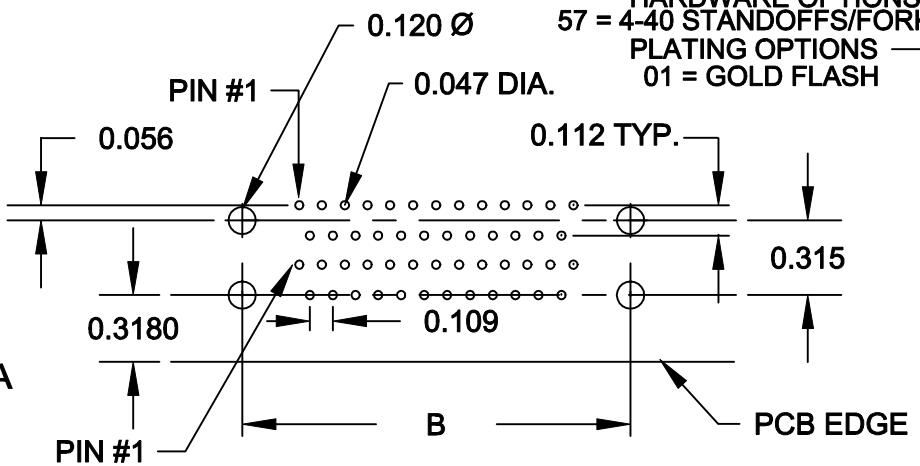
SPECIFICATIONS:

MATERIALS:

- SHELL: STEEL, TIN PLATED
- INSULATOR: UL 94V-0 RATED BLACK GLASS-FILLED POLYESTER
- CONTACTS: BRASS - GOLD FLASH IN MATING AREA
- TIN/LEAD ON SOLDER TAILS

ELECTRICALS:

- CURRENT RATING: 5 AMPS
- DIELECTRIC STRENGTH: 1000V AC RMS
- INSULATOR RESISTANCE: 1000 MOHMS MIN
- TEMPERATURE: -55°C TO +105°C



	THESE DRAWINGS AND SPECIFICATIONS ARE THE PROPERTY OF NorComp AND SHALL NOT BE REPRODUCED, COPIED OR USED AS THE BASIS FOR THE MANUFACTURE OF SALE OF APPARATUS WITHOUT WRITTEN PERMISSION.	DRAWN: PAM JENKINS	DATE: 9-24-98
		CHECKED:	DATE:
NorComp		SCALE: 1:1	SHEET 1 OF 1
		DWG. NO. 189-XXX-612-571	