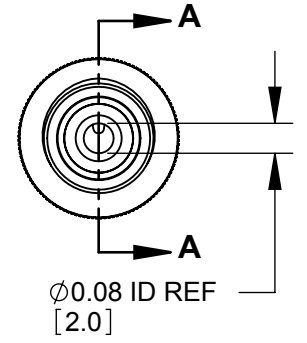
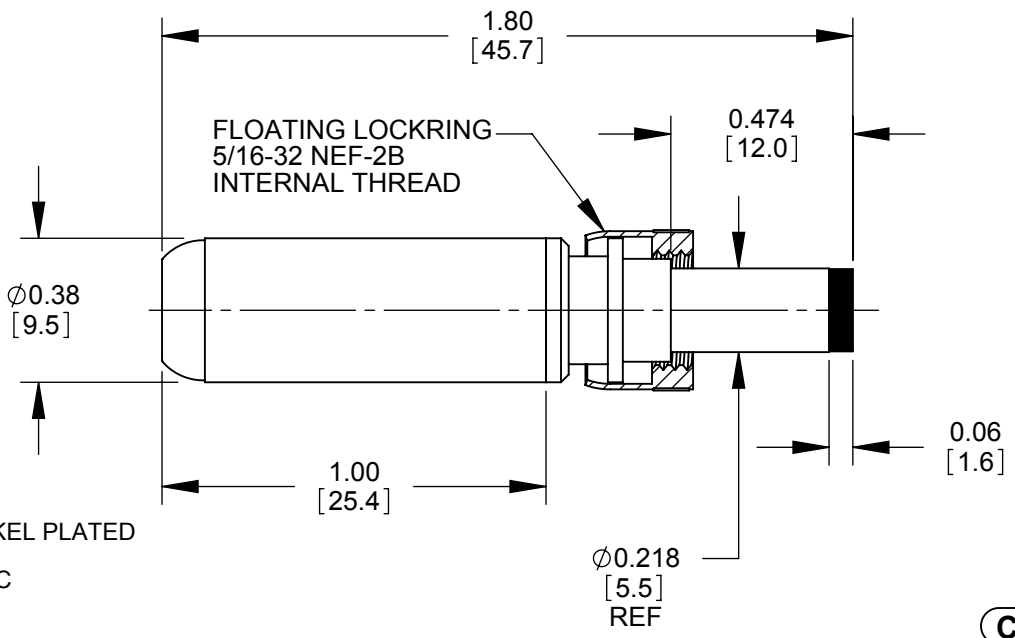
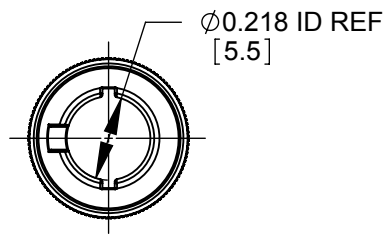
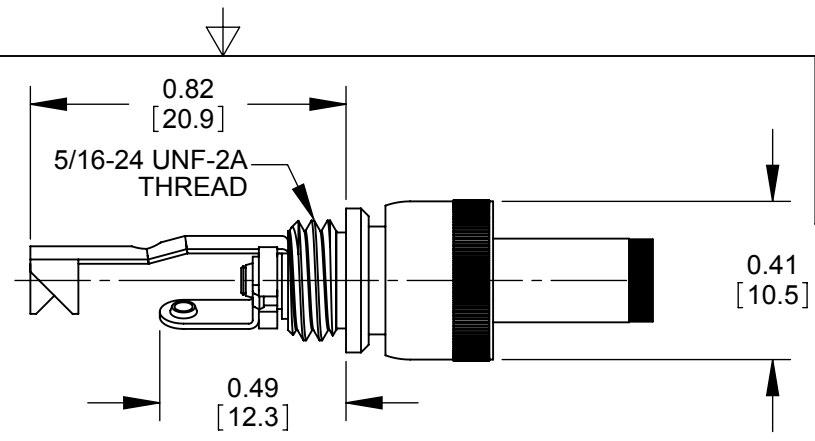


PART NUMBER	HANDLE COLOR
S761K	BLACK
S766K	RED



NOTES:

- MATERIALS:
 CONDUCTORS, LOCKRING - BRASS, NICKEL PLATED
 TERMINALS - BRASS, TIN PLATED
 INSULATORS, HANDLE - THERMOPLASTIC
- THIS PRODUCT IS RoHS COMPLIANT.

CUSTOMER DRAWING

REV	ECO NUMBER	DATE	BY	APVD
C	25989	11-13-08	JEB	TJK
REVISIONS				

UNLESS OTHERWISE SPECIFIED

- ALL DIMENSIONS IN INCHES
 - TWO PLACE DECIMALS ±0.02
 - THREE PLACE DECIMALS ±0.005

DO NOT SCALE DRAWING

THIS DRAWING DESCRIBES A DESIGN CONSIDERED PROPRIETARY IN NATURE, DEVELOPED AND MANUFACTURED BY SWITCHCRAFT INC. AND IS RELEASED ON A CONFIDENTIAL BASIS FOR IDENTIFICATION PURPOSES ONLY.									
SIZE *	WIDTH *	MULT *	LBS/M *	TEMPER *					
FINISH *			MATERIAL *						
SPEC No. *			SPEC No. *						
FIRST USED ON *			SCALE 2:1						
DATE DRAWN	BY	CHKD	APVD						
2-18-94	ES	JLD 2-22-94	GHJ 2-22-94						
NAME			PART No.						
Ø 0.08 [2.0]mm x 0.474 LONG			S761K-S766K						
POWER PLUG W/LOCKRING, RoHS			REV						
			C						