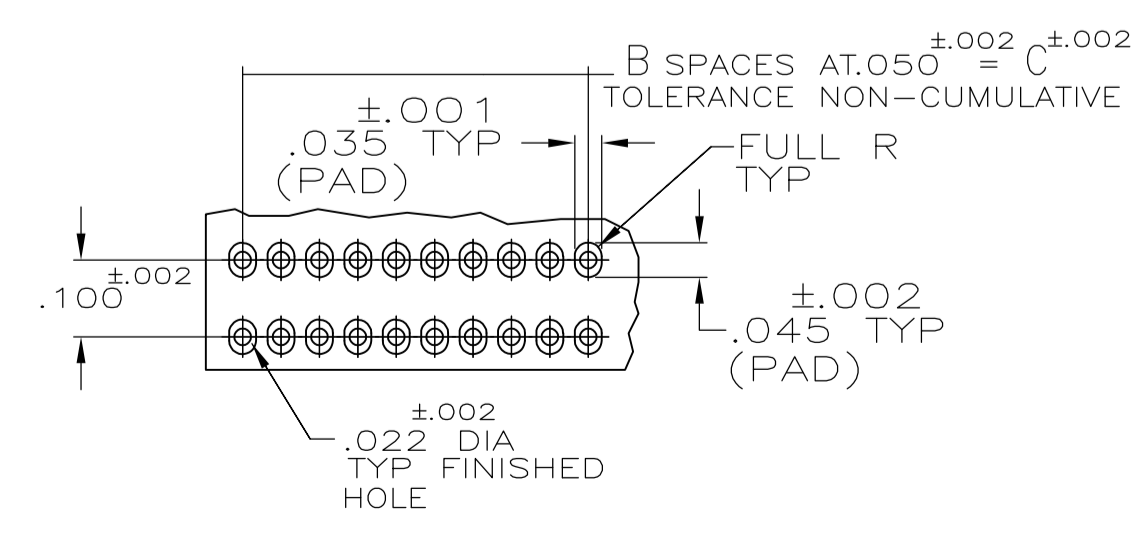
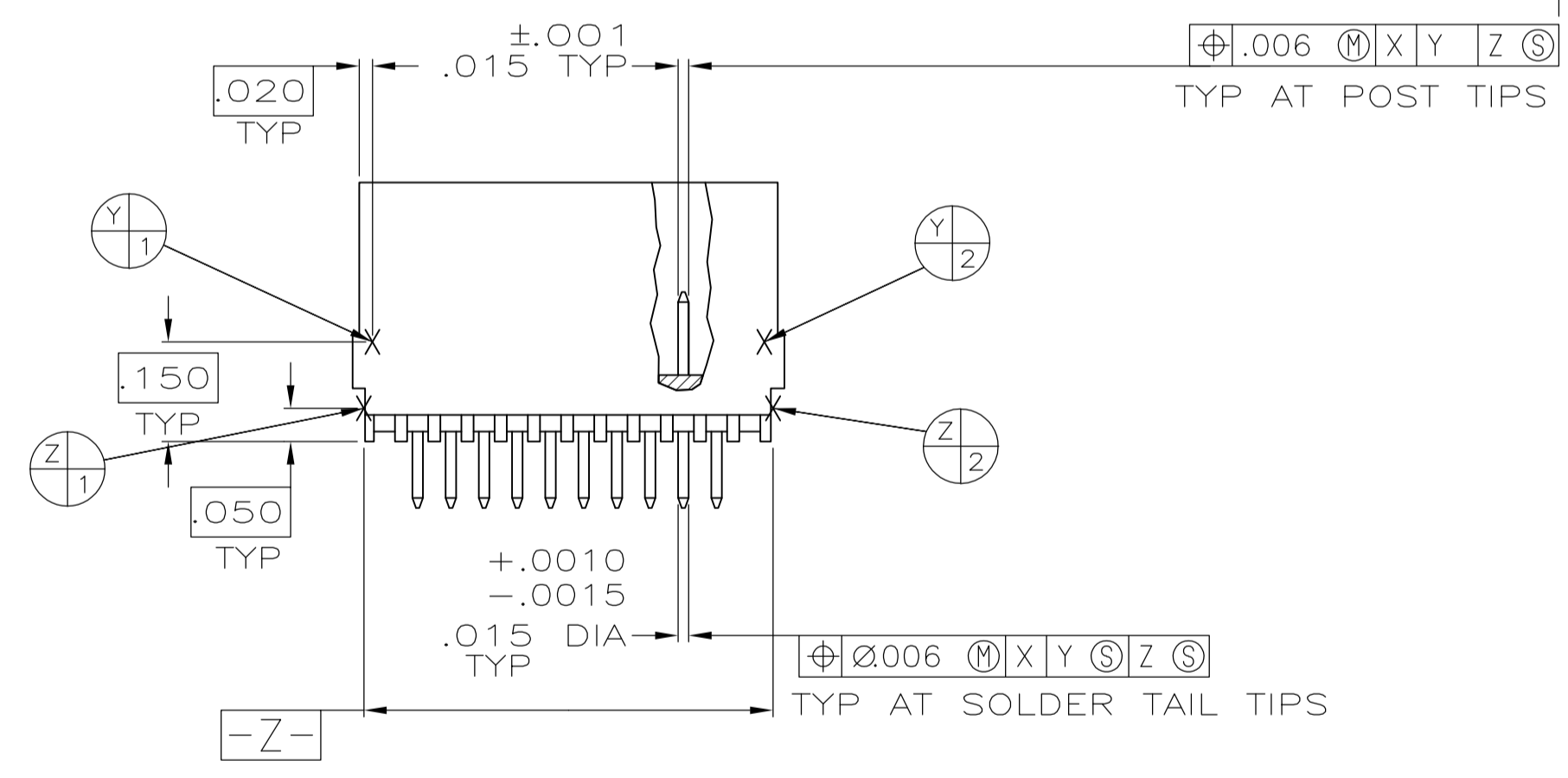
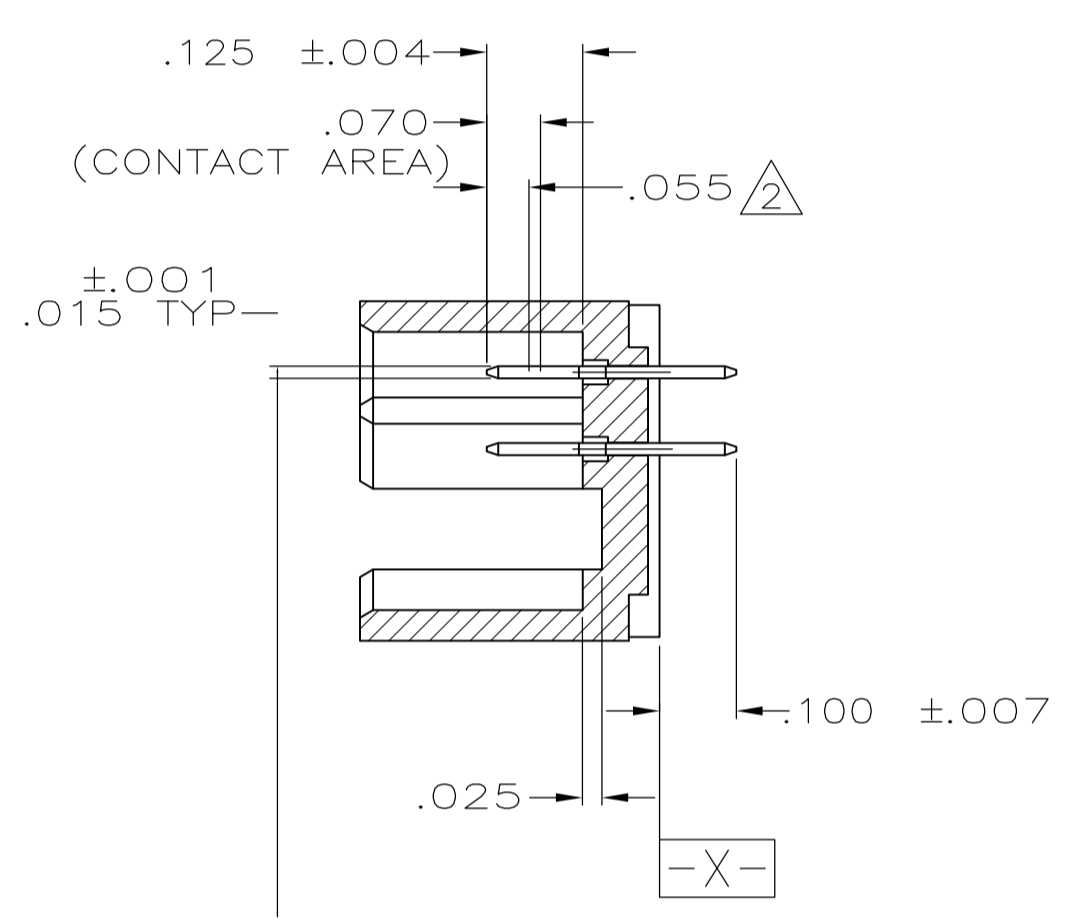
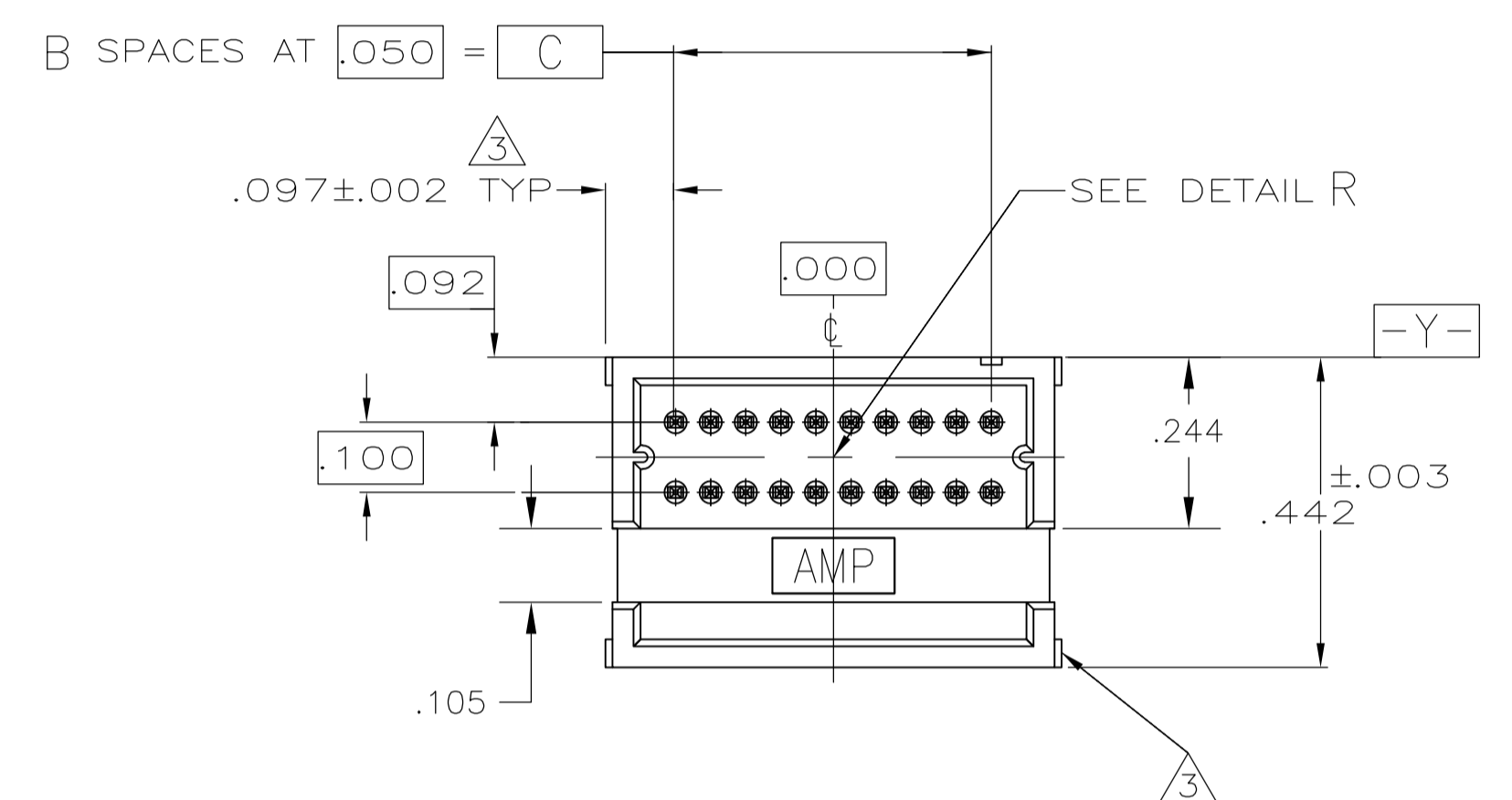
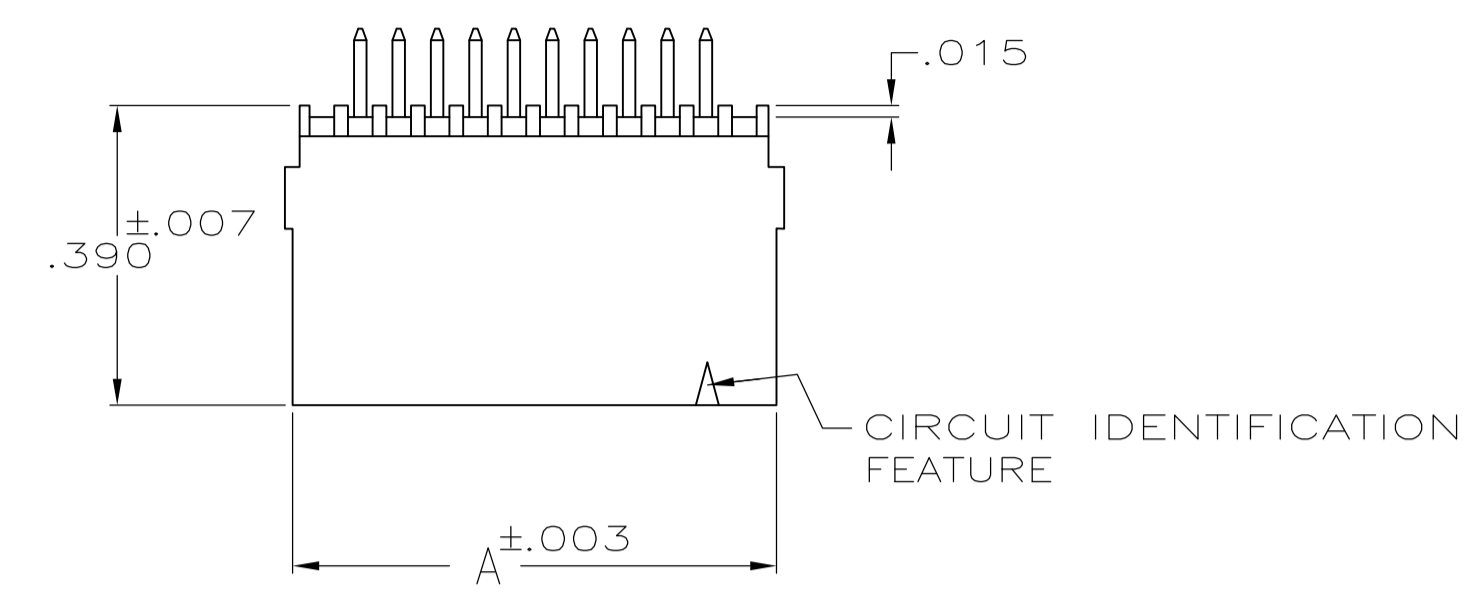
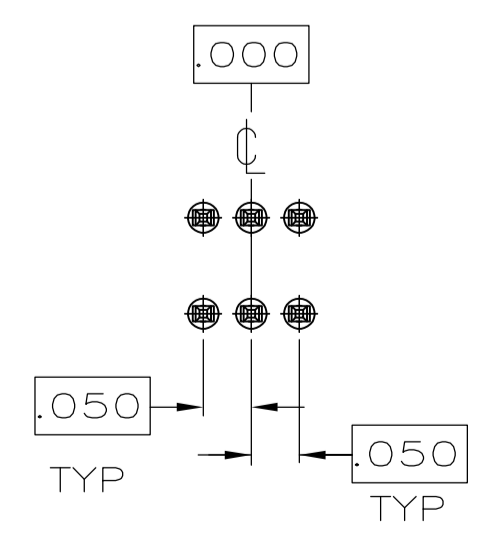


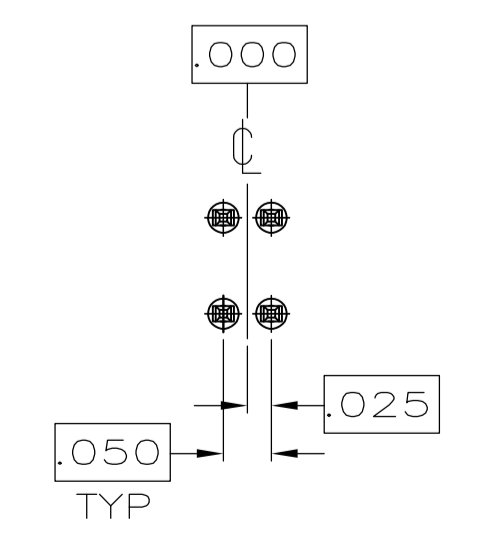
LOC		DIST		REVISIONS			
P	LTR	DESCRIPTION	DATE	DMN	APVO		
AD	39	T	REV PER 0G3C-0107-05	14JUN2005	MB	DR	
		T1	REVISED PER ECO-09-021826	26AUG09	KK	AEG	



RECOMMENDED HOLE PATTERN



BASIC DIMENSIONS FOR EVEN NO OF SPACES (SEE TABLE)



BASIC DIMENSIONS FOR ODD NO OF SPACES (SEE TABLE)

DETAIL R

- 1 CONTACT AREA PLATED WITH .000030 GOLD; SOLDER TAILS PLATED WITH .000150 TIN-LEAD, ALL OVER .000050 NICKEL
- 2 POINT OF MEASUREMENT FOR PLATING THICKNESS
- 3 THE NOTED DIMENSIONS APPLY AT THE INTERSECTION OF THE POST AND HOUSING
- 4 CONTACT AREA PLATED WITH .000030 GOLD; SOLDER TAILS PLATED WITH .000150 TIN, ALL OVER .000050 NICKEL.
- 5 OBSOLETE PARTS: OBSOLETE CIS STREAMLINING PER D.RENAUD/D.SINISI

4	2.450	49	2.644	100	5-104076-8
4	1.200	24	1.394	50	5-104076-7
4 5	OBSOLETE	.700	.894	30	5-104076-6
4	.200	4	.394	10	5-104076-5
4 5	OBSOLETE	1.950	2.144	80	5-104076-4
4	.950	19	1.144	40	5-104076-3
4	1.450	29	1.644	60	5-104076-2
4	.450	9	.644	20	5-104076-1
1 5	SUPERSEDED BY 5-104076-8	2.450	2.644	100	104076-8
1	1.200	24	1.394	50	104076-7
1	.700	14	.894	30	104076-6
1	.200	4	.394	10	104076-5
1 5	OBSOLETE	1.950	2.144	80	104076-4
1 5	SUPERSEDED BY 5-104076-3	.950	1.144	40	104076-3
1 5	SUPERSEDED BY 5-104076-2	1.450	1.644	60	104076-2
1	.450	9	.644	20	104076-1
		C	B	A	NO OF PART POS NUMBER

THIS DRAWING IS A CONTROLLED DOCUMENT.		DIN K HELM 12-19-88	Tyco Electronics Corporation Harrisburg, Pa 17105-3608	
DIMENSIONS: INCHES		CHK H MOLL 12-19-88	NAME	
TOLERANCES UNLESS OTHERWISE SPECIFIED:		APVO R DURBIN 12-19-88	PRODUCT SPEC	
0 PLC	± -	108-1093		
1 PLC	± -	APPLICATION SPEC		
2 PLC	± -	114-25031		
3 PLC	± .005	SIZE CAGE CODE DRAWING NO RESTRICTED TO		
4 PLC	± -	A1 00779 C=104076		
ANGLES	± -	WEIGHT		
MATERIAL: HOUSING, THERMOPLASTIC; COLOR-BLACK; POST, COPPER ALLOY		FINISH: SEE TABLE		CUSTOMER DRAWING
		SCALE: 4:1		SHEET 1 OF 1 REV T1