

# 10112690 - X XX-YY Z LF

INDICATES THAT PRODUCT IS RoHS COMPATIBLE SEE NOTE 3

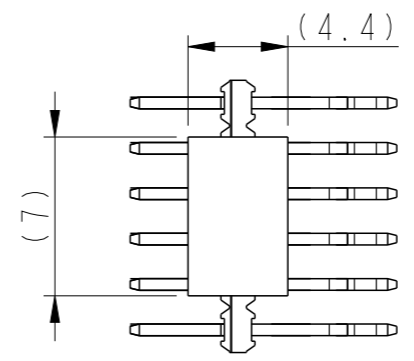
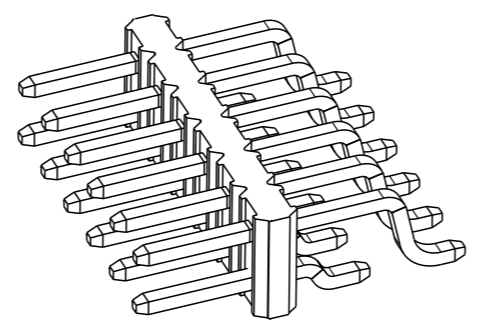
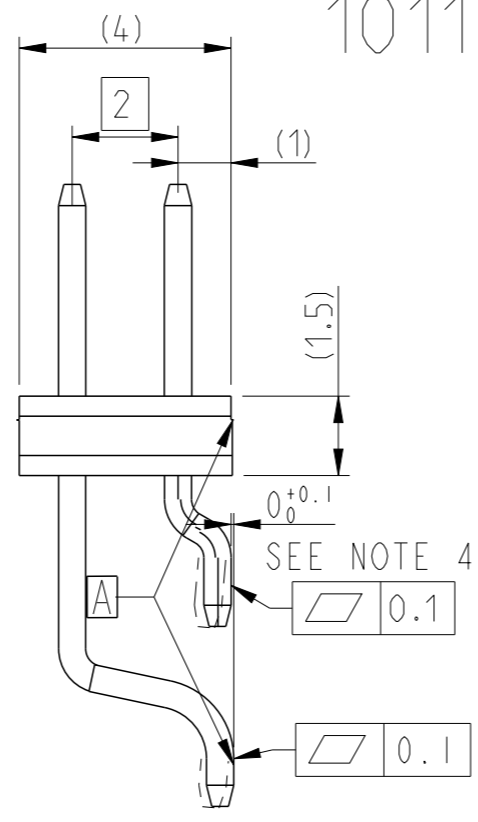
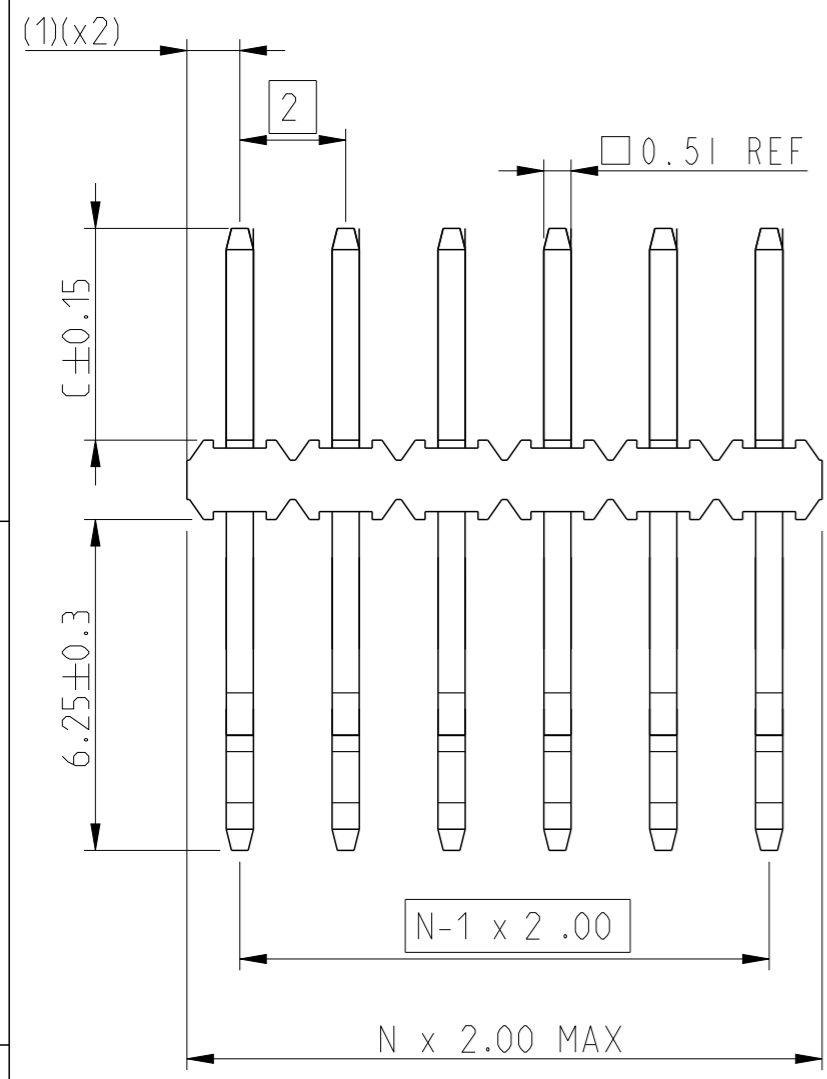
**PACKAGING :**

- A = Tape and reel with Pick-up cap See GS-14-1516 As available
- U = Tube without Pick-up cap. Only for rows contacts qty from 4 to 25 See GS-14-1551
- Blank = Bli box for rows contacts qty 2 and 3 see note 5

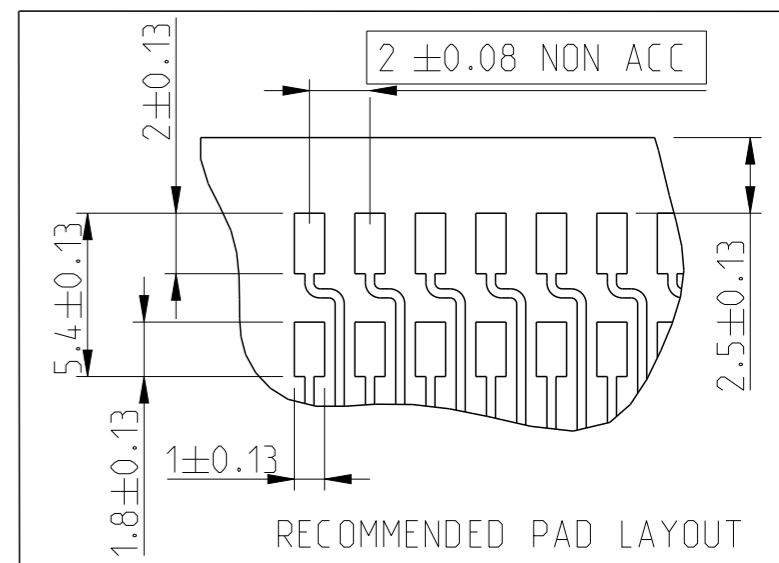
NBR CONTACTS PER ROW : 02 TO 25 = N

STYLE	01	02	03	04	05
DIM C	3.2	2.0	4.0	7.0	5.84
POST LENGTH					

**PLATING :** G= 0.76µ Gold/GXT on mating area  
 2-6µ Pure Tin on solder area  
 F= Gold flash on mating area  
 2-6µ pure Tin on solder area  
 T= 2-6µ pure Tin on mating area  
 2-6µ pure Tin on solder area  
 All with 1.27 Ni underplating



SCALE 3:1  
VIEW WITH PICK-UP CAP



- NOTES :**
- 1- MATERIALS :  
 BODY : High Temp thermoplastic 30% GF, COLOR BLACK UL94 V-0  
 PIN : COPPER ALLOY
  - 2- 7N MIN PIN RETENTION IN EITHER DIRECTION
  - 3- RoHS COMPATIBLE PRODUCT SPECIFICATION :  
 a- PLATING : LF means the product is Lead Free,  
 2µ MIN matte Tin over 1.27µ Nickel underplating.  
 b- MANUFACTURING PRODUCT SPECIFICATION :  
 Housing will withstand exposure to 260°C peak temperature for 30 secondes in a convection infra-red or vapor phase oven.  
 c- LABELLING :  
 Meets packaging specs as per GS-14-920  
 d- LEGAL STATMENT : See GS-47-0004
  - 4- PLANE REFERENCE -A- IS GENERATED BY LONG PINS TAIL ROW WITH LOWEST AREA OF BODY.  
 SHORT PINS ROW TO BE FLUSH OR HIGHER 0.1 MAX ABOVE REF -A-.
  - 5- MINIMUM QUANTITY IN BLI BOX : 500

spec ref	GS-12-652	dr	A Parrenin	2014/02/28
tolerance std	ISO 406 ISO 1101	eng	A Parrenin	2014/03/19
surface	linear	chr	D Convercey	2014/03/20
		appr	Gert Drosbeke	2014/03/21
	angular	0°	±/°	

projection	mm	size	A3	scale	4:1
product family	HEADER UNSHROUDED SMT	ecn no	ELX-B-17245-1	rel level	Released
cat. no.	10112690C	dwg no	10112690C	rev	E
Product - Customer Drw	Product - Customer Drw	Product - Customer Drw	Product - Customer Drw	Product - Customer Drw	Product - Customer Drw



Copyright FCI.