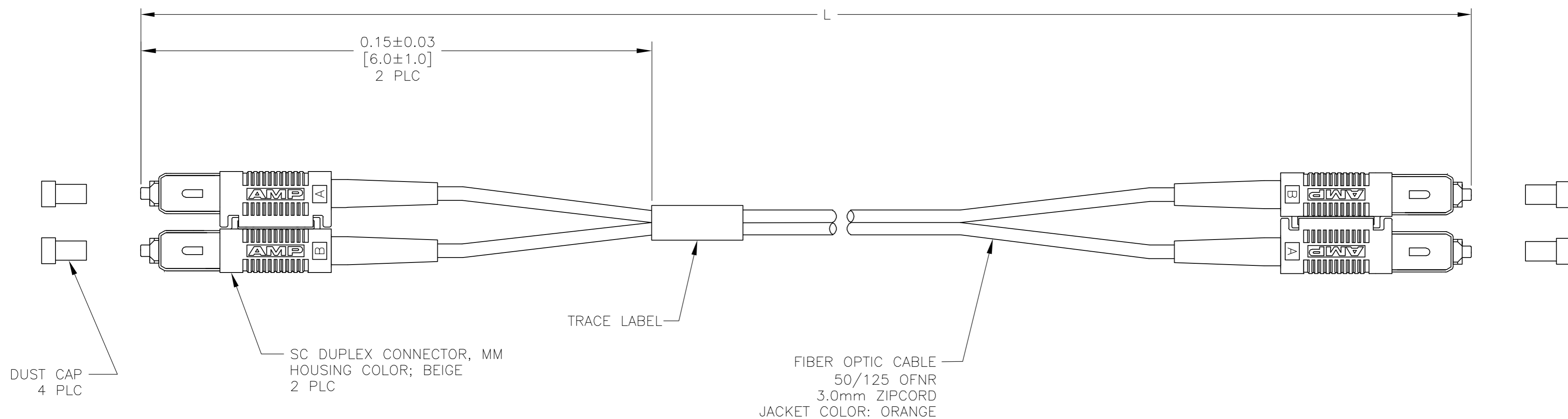


THIS DRAWING IS UNPUBLISHED. RELEASED FOR PUBLICATION
 © COPYRIGHT BY TYCO ELECTRONICS CORPORATION. ALL RIGHTS RESERVED.

LOC	DIST	REVISIONS			
P	LTR	DESCRIPTION	DATE	DWN	APVD
CE	16	A	RELEASED	11OCT05	JWD JD

- 1. MAXIMUM CONNECTOR INSERTION LOSS IS 0.5dB PLUS CABLE ATTENUATION OF 1.5dB/km AT 1300nm (SEE TABLE)
- 2. PRODUCT AND PROCESSING MUST MEET REQUIREMENTS OF TYCO ELECTRONICS STANDARD 230-702



MAX IL (dB)	L METERS [INCHES]	PART NUMBER
0.56	40.00±0.40 [1574.8±15.8]	4-6435062-0
0.55	35.00±0.35 [1378.0±13.8]	3-6435062-5
0.55	30.00±0.30 [1181.1±11.8]	3-6435062-0
0.54	25.00±0.30 [984.2±11.8]	2-6435062-5
0.53	20.00±0.30 [787.4±11.8]	2-6435062-0
0.52	15.00±0.30 [590.6±11.8]	1-6435062-5
0.52	10.00±0.15 [393.7±5.9]	1-6435062-0
0.51	9.00±0.08 [354.3±3.2]	6435062-9
0.51	8.00±0.08 [315.0±3.2]	6435062-8
0.51	7.00±0.08 [275.6±3.2]	6435062-7
0.51	6.00±0.08 [236.2±3.2]	6435062-6
0.51	5.00±0.08 [196.8±3.2]	6435062-5
0.51	4.00±0.08 [157.5±3.2]	6435062-4
0.50	3.00±0.05 [118.1±2.0]	6435062-3
0.50	2.00±0.05 [78.7±2.0]	6435062-2
0.50	1.00±0.05 [39.4±2.0]	6435062-1

THIS DRAWING IS A CONTROLLED DOCUMENT.		DWN J. W. DAVIS 11OCT05	Tyco Electronics Corporation Harrisburg, PA 17105-3608	
DIMENSIONS: METERS [INCHES]		CHK J. DUNCAN 11OCT05		
TOLERANCES UNLESS OTHERWISE SPECIFIED:		APVD F. McCORKEL 11OCT05	NAME	
0 PLC ± -		CABLE ASSEMBLY, FIBER OPTIC, 50/125um, 3.0mm OFNR ZIPCORD SC DUPLEX TO SC DUPLEX, RoHS		
1 PLC ± -		PRODUCT SPEC		
2 PLC ± -		APPLICATION SPEC		
3 PLC ± -		SIZE CAGE CODE DRAWING NO RESTRICTED TO		
4 PLC ± -		A2 00779 C-6435062 -		
ANGLES ± -		WEIGHT -		
FINISH -		CUSTOMER DRAWING SCALE NTS SHEET 1 OF 1 REV A		