

PLASTIC PUSH PULL ASSEMBLY P/N DESCRIPTION :

PL C 1 X X X X X X X

Plastic latch

STYLE C1=In-line-Receptacle with cable collet
-----SOLDER CONTACT

OUTER SHELL MATERIAL
G=GREY PSU(STANDARD)
B=BLACK PSU F=BLACK PEI
P=GREY PEI

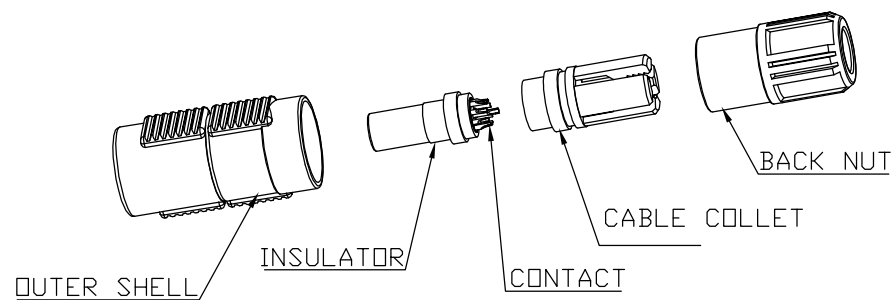
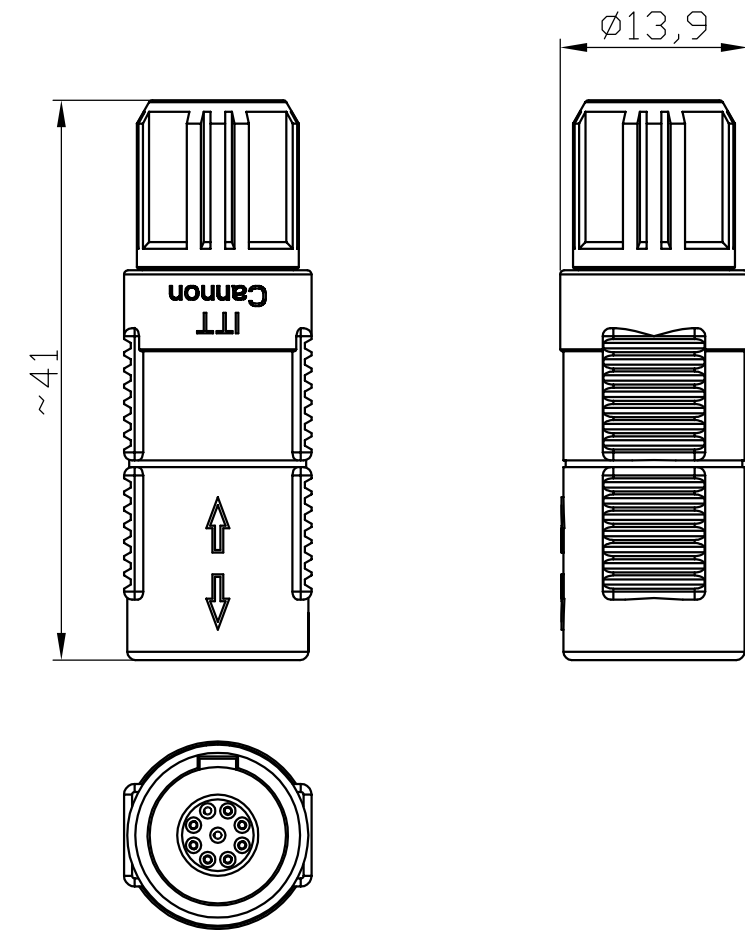
BACK NUT COLOR
0= BLACK 5= GREEN
1= WHITE 6= BLUE
2= RED 8= GREY
4= YELLOW

CONTACT PLATING
2= GOLD PLATING 20u"

NUMBER OF CONTACTS
02= 2 PIN 04= 4 PIN
03= 3 PIN 05= 5 PIN
06= 6 PIN 08= 8 PIN
07= 7 PIN 09= 9 PIN
10= 10 PIN 14= 14 PIN


CODING
0=0°(STANDARD)
A=40° C=60°
E=80° H=170° J=205°

CONTACT DIAMETER
1= 1.3mm (ONLY FOR 2 PIN)
2= 0.9mm (ONLY FOR 4,5 PIN)
3= 0.7mm (ONLY FOR 6,7,8 PIN)
4= 0.5mm (ONLY FOR 9,10,14 PIN)



NOTES :

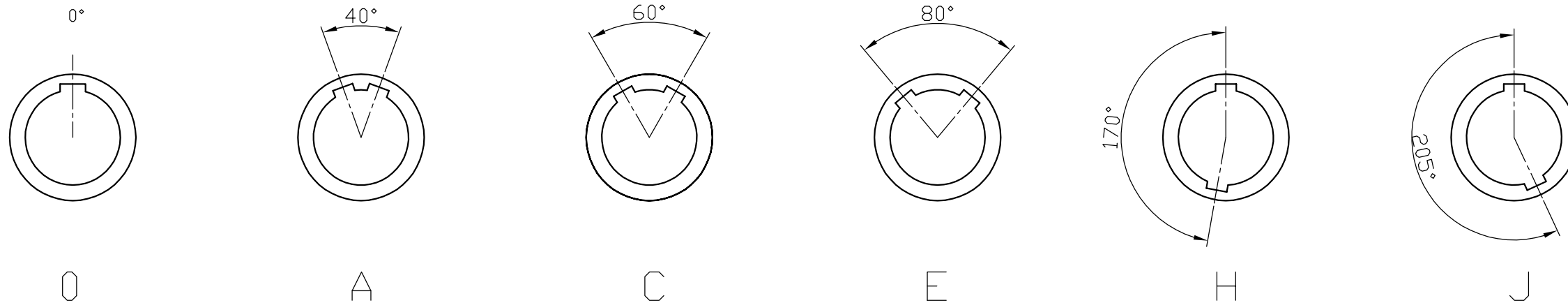
- MATERIAL
HOUSING : HIGH TEMPERATURE PLASTIC,UL94V-0
INSERT : HIGH TEMPERATURE PLASTIC,UL94V-0
CONTACT : COPPER ALLOY
CABLE COLLET : HIGH TEMPERATURE PLASTIC,UL94V-0
BACK NUT : HIGH TEMPERATURE PLASTIC,UL94V-0
- NUMBER OF CONTACT : 2 TO 14 POSITION
- ALL DIMENSIONS ARE IN MILLIMETERS.
- RoHS DIRECTIVE COMPLIANCE

DO NOT SCALE			Total Volume =	Total Surface Area =	PDM:	A3/B
Drawn	DANIEL	08-May-15	Material:	 ITT Industries Cannon Electronics (SZ) Co. Ltd.	Toupandun Industrial Area, Jinda Cheng, Xiner Village, Shajing Town, Baoan District, Shenzhen City PRC 518125	Pro/E Generic Model Title PUSH PULL PLASTIC In-Line-Receptacle with cable collet
Checked	HERDD	08-May-15				
Engineer.	DANIEL	08-May-15	Treatment:	3rd ANGLE PROJECTION Surface Roughness Unless Specified	Ref:	Drwg. No. CU-132041 Iss/rev A
Manufact.						
Assembly			Dimensions in:	Cust Spec No:	Scale 2:1	Sheet 1 of 2
Quality						
Approvals	Sign	Date				

This is issued in strict confidence on condition that it is not used as a basis for manufacture or sale and that it is not copied, reprinted or disclosed to a third party either wholly or in part without the prior written consent of ITT Industries. C 08-May-15

VIEW FROM TERMINATION SIDE FEMALE PART										
	POSITIONS	2 PIN	3 PIN	4 PIN	5 PIN	6 PIN	7 PIN	8 PIN	9 PIN	10 PIN

CODING (RECEPTACLE FRONT VIEW):



DO NOT SCALE			Total Volume =	Total Surface Area =	PDM:	A3/B
Drawn	DANIEL	08-May-15	Material:	 ITT Industries Cannon Electronics (SZ) Co. Ltd. Toupandun Industrial Area, Jinda Cheng, Xiner Village, Shajing Town, Baoan District, Shenzhen City PRC 518125	Pro/E Generic Model	
Checked	HEROD	08-May-15			Title	
Engineer.	DANIEL	08-May-15			PUSH PULL PLASTIC In-Line-Receptacle with cable collet	
Manufact.					Drwg. No. CU-132041	
Assembly					Iss/rev A	
Quality			Treatment:	Ref:	Scale 2:1	Sheet 2 of 2
Approvals	Sign	Date	Dimensions in:	Cust Spec No:		

A	INITIAL ISSUE	08-May-15
Iss/Rev	DCN/ECN or Description	Date

This is issued in strict confidence on condition that it is not used as a basis for manufacture or sale and that it is not copied, reprinted or disclosed to a third party either wholly or in part without the prior written consent of ITT Industries. C 08-May-15