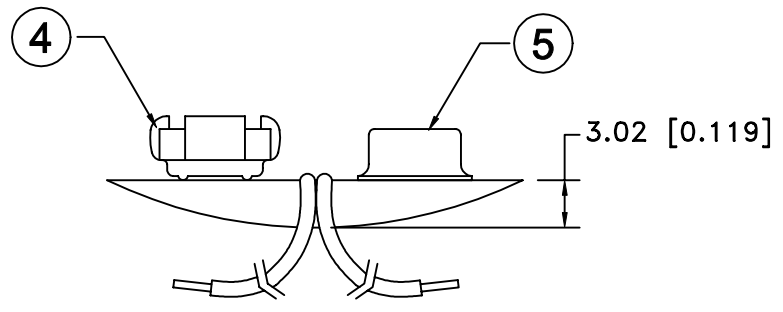
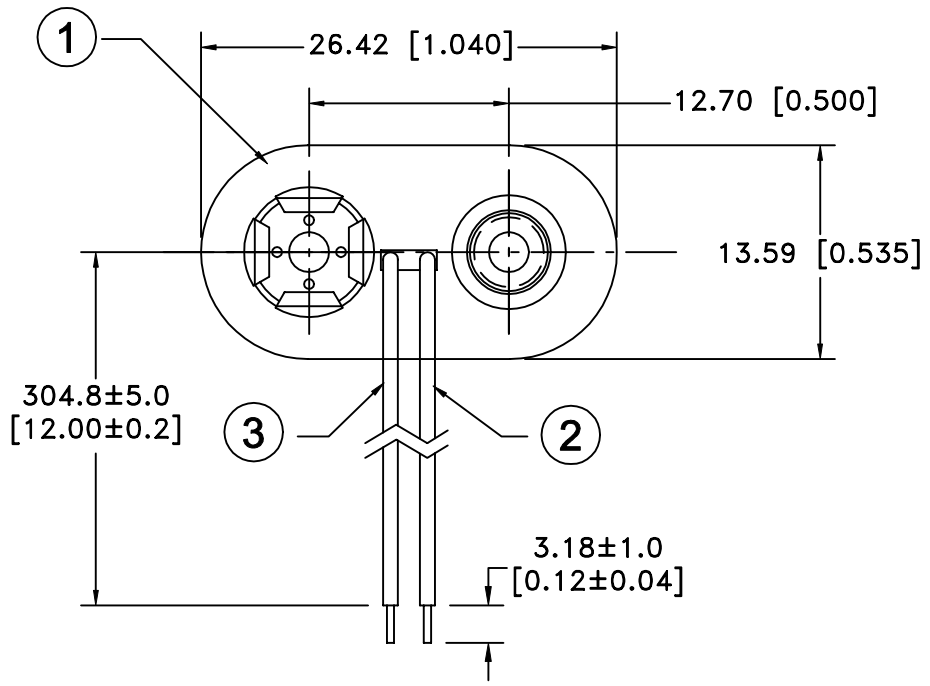


Date	SYM	REVISION RECORD	AUTH	DR.	CK.



NO.	PART NAME	MATERIAL	QTY.	Tolerance (Except as noted)
1	COVER	PVC COVER OVER FIBERBOARD	1	decimal
2	BLACK WIRE(-)	24 AWG, UL-1007, CSA TR-64, 300V, 80°C	1	±.5 (.020)
3	RED WIRE (+)	24 AWG, UL-1007, CSA TR-64, 300V, 80°C	1	Fractional
4	FEMALE SNAP	PHOSPHOR BRONZE, NICKLE PLATED, HEAVY DUTY	1	± .8 (.030)
5	MALE SNAP	BRASS NICKLE PLATED	1	Angular
				± 3°

Memory Protection Devices, Inc

200 Broad Hollow Road, Farmingdale, New York 11735

	Scale
	Drawn By B.S.
	Approved By T.B.

Title	9 VOLT BATTERY SNAP-T STYLE, HEAVY DUTY, 12" WIRE LEADS
Date	Drawing Number
05/25/01	BS12T-HD