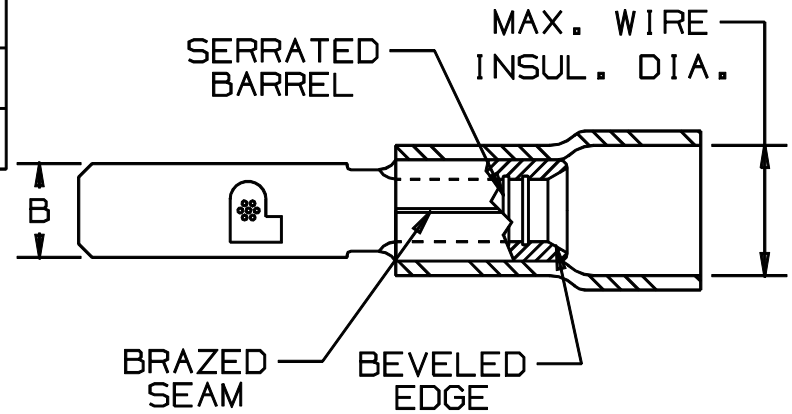


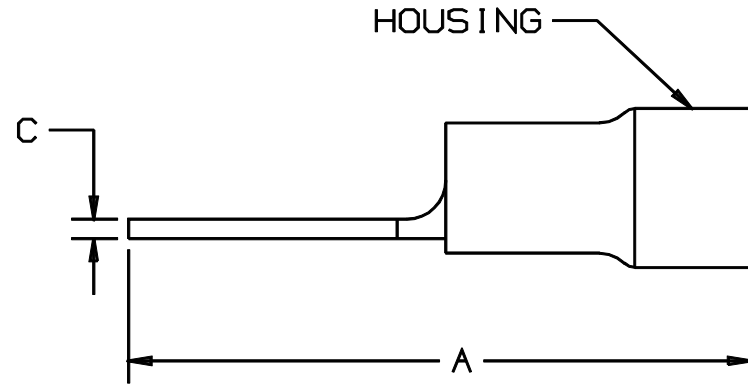
THIS COPY IS PROVIDED ON A RESTRICTED BASIS AND IS NOT TO BE USED IN ANY WAY DETRIMENTAL TO THE INTERESTS OF PANDUIT CORP.

PART NUMBER	WIRE RANGE AWG	MAX. WIRE INSUL. DIA.	HOUSING COLOR	DIMENSIONS in.		
				A $\pm .03$	B $\pm .010$	C $\pm .01$
DV18-145M	22-18	.15 (3.8)	RED	.97 (24.6)	.145 (3.7)	.03 (0.76)
DV14-145M	16-14	.17 (4.3)	BLUE	.97 (24.6)	.145 (3.7)	.03 (0.76)



NOTES:

- UL RECOGNIZED AND CSA CERTIFIED FOR:
 - 600V. MAX. VOLTAGE RATING
 - 221° F (105° C) MAX. TEMP. RATING
 - FOR STRANDED COPPER WIRE ONLY
- MATERIAL:
 - STAMPING - .032" (0.81) THK COPPER TIN PLATED
 - HOUSING - VINYL
- PACKAGE QTY: STD. PKG. -C=100
BULK PKG. -M=1000
- DIMENSIONS IN BRACKETS ARE IN MILLIMETERS
- INSTALLATION TOOLS:
 - UL RECOGNIZED AND CSA CERTIFIED: CT-500, CT-550, CT-1551, CT-1550
 - PANDUIT APPROVED: CT-160, CT-260, CT-100, CT-250, CT-400, *CT-460
*RECOMMENDED FOR DV14-145M ONLY
- WIRE STRIP LENGTH: $9/32 \pm .001$ (7.1 $\pm .0$)



CERTIFIED
LR31212



RECOGNIZED
E78522

A41321_06

06	1/01	RM		FILESPEC WAS N41321AA_PCD_05				<p>TINLEY PARK, ILLINOIS</p> <p>VINYL INSULATED .145 X .032 (3.68 X 0.81) MALE TAB</p>			
05		JKD		ADDED CT-1551 & CT-1550 TOOLS	07632						
04	10/94	TH	RLS	UPDATED NOTES AND DIMENSIONS	02571	LCA	TFKE				
03	4/94	DL		REMOVED COIN FROM TAB END							
REV	DATE	BY	CHK	DESCRIPTION	ECN #	CUST	PM	DRAWN BY DAW	CHK'D 	SCALE NONE	DRAWING NO. A41321