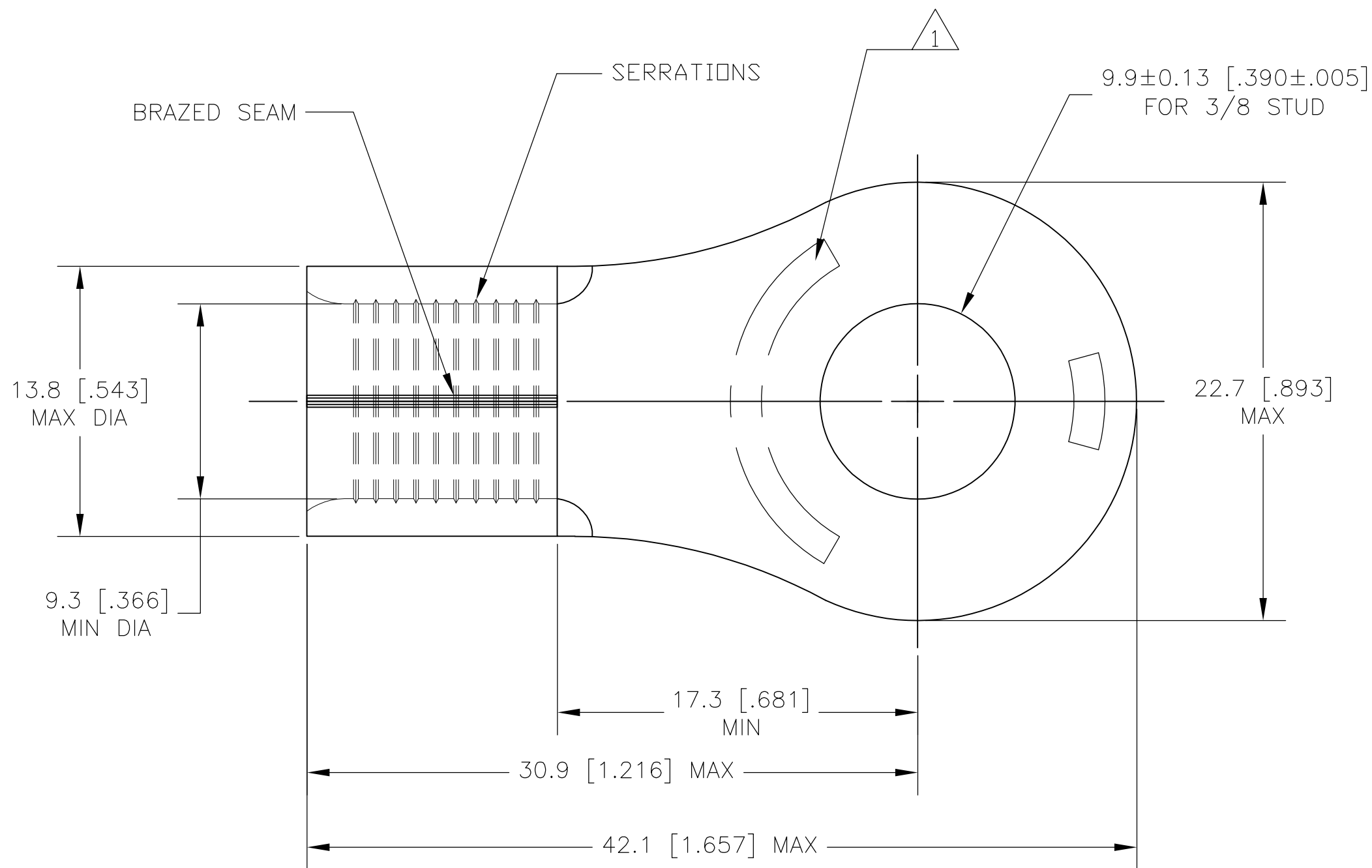


THIS DRAWING IS UNPUBLISHED. RELEASED FOR PUBLICATION
 © COPYRIGHT BY TYCO ELECTRONICS CORPORATION. ALL INTERNATIONAL RIGHTS RESERVED.

LOC	DIST	REVISIONS					
G	86	P	LTR	DESCRIPTION	DATE	DWN	APVD
			A1	REV PER ECR 10-004261	25FEB10	JR	TM



- △1 STAMP "AMP 2W* 60-75" LOCATED APPROX AS SHOWN ON BOTTOM.
- △2 COPPER PER ASTM B-152
- △3 NICKEL PLATE PER QQ-N-290

131297-1
 PART NO

THIS DRAWING IS A CONTROLLED DOCUMENT.		DWN	jr_ruth	25FEB10	Tyco Electronics Corporation Harrisburg, PA 17105-3608		
DIMENSIONS: MM [INCHES]		CHK	T MICHELUTTI	25FEB10			
		TOLERANCES UNLESS OTHERWISE SPECIFIED:		APVD	T MICHELUTTI	25FEB10	WIRE TERMINAL, RING TONGUE, SOLISTRAND, WIRE SIZE: #2 AWG
0 PLC ± - 1 PLC ± - 2 PLC ± 0.2 [.008] 3 PLC ± - 4 PLC ± - ANGLES ± 5°		MATERIAL		PRODUCT SPEC		APPLICATION SPEC	
FINISH		- 2		- 3		RESTRICTED TO	
MATERIAL		- 2		- 3		SIZE CAGE CODE DRAWING NO A3 00779 C-131297	
CUSTOMER DRAWING				SCALE		SHEET	
				4:1		1 OF 1	
						REV A1	